



(H)

X2 Mirror support \*  
X2 Supporte de miroir  
X2 Soporte del espejo



(A)

x10 Bolt 1/4\*40mm \*  
x10 Boulon  
x10 Perno



(B)

x10 Lock washer 1/4\*6mm \*  
x10 Rondelle de blocage  
x10 Arandela de Seguridad



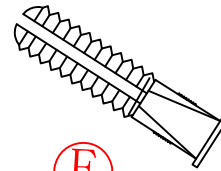
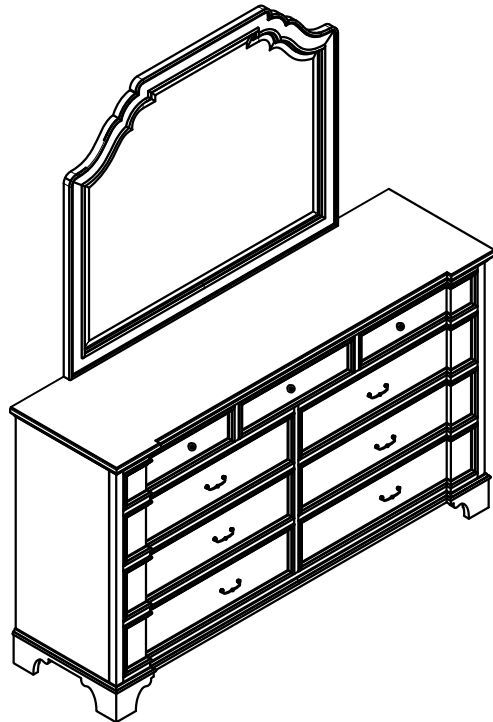
(C)

x10 Flat Washer 1/4\*16mm \*  
x10 Rondelle plate  
x10 Arandela plana



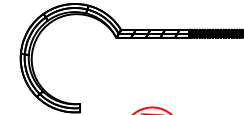
(D)

x1 Allen Wrench 69\*27. 2\*4mm \*  
x1 Clé hexagonale  
x1 Llave Allen



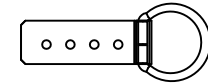
(E)

x2 Plastic Anchor \*  
x2 Fixation en plastique  
x2 Anclaje de plástico



(F)

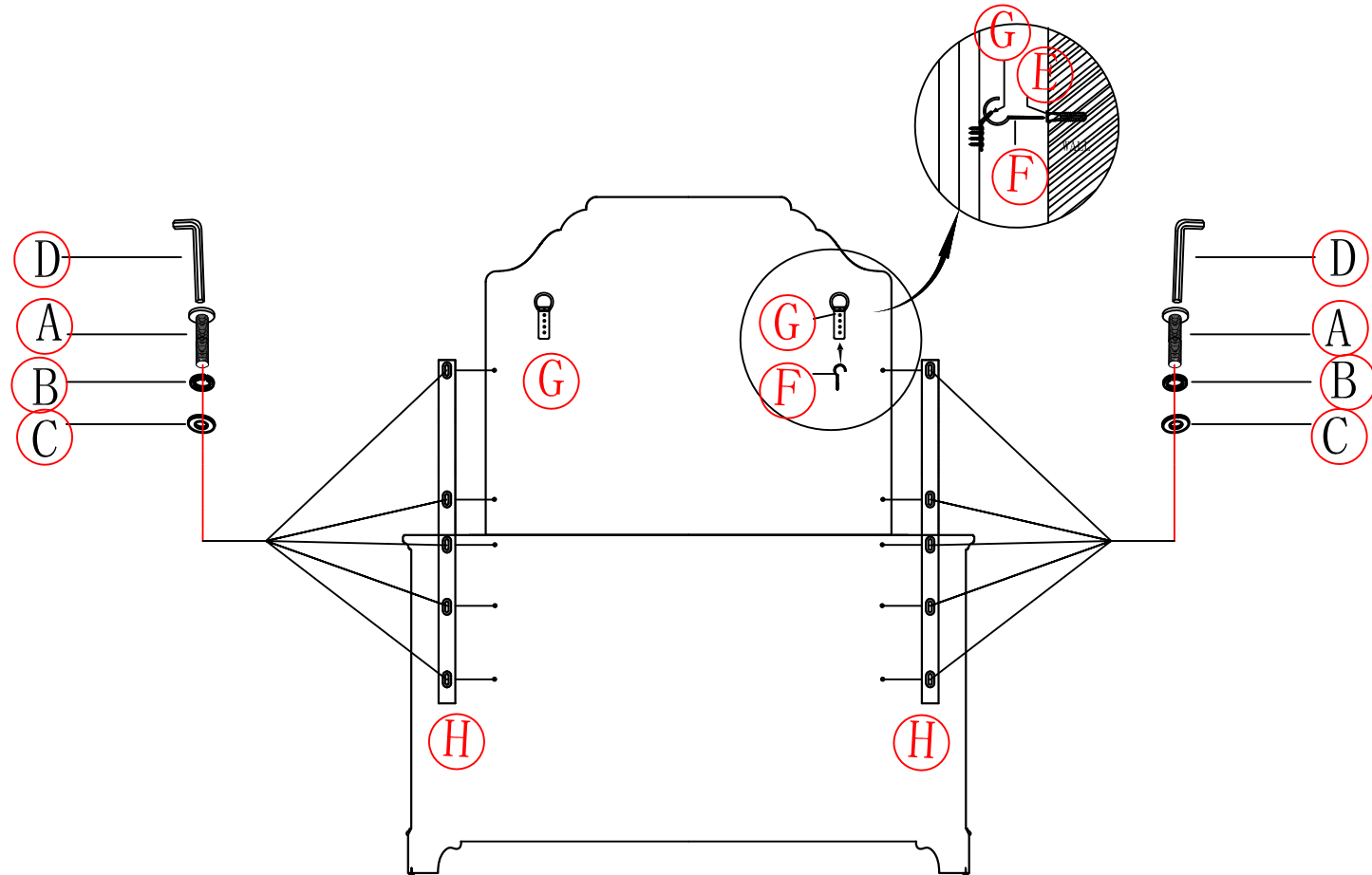
X2 Hook \*  
X2 Crochet  
X2 Gancho



(G)

X2 Metal Plate \*  
X2 Plaque de métal  
X2 Placa de metal

\* Replaceable Part



\* Replaceable Part

REPLACEABLE PART/ PARTIE REMPLACABLE/ PARTE REEMPLAZABLE

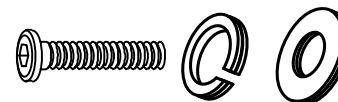
ITEM NO. / ARTICLE NO. / ARTICULO NO : P348110

DESCRIPTION/LA DESCRIPCION/DESCRIPCIÓN :Landscape Mirror/Miroir horizontal/Espejo horizontal



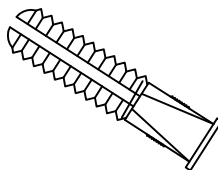
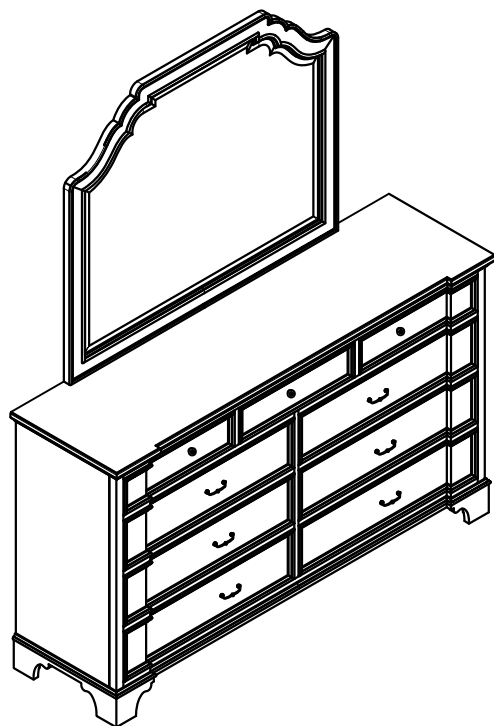
RP348110-MISU

X2 Mirror support \*  
X2 Supporte de miroir  
X2 Soporte del espejo



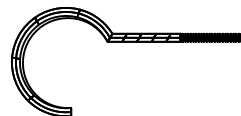
RP348110-HWKIT

x1 Hardware Kit \*  
x1 Liste des pièces de quincaillerie  
x1 Lista del materiales



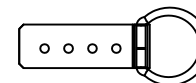
RP348110-ANCHOR

x2 Plastic Anchor \*  
x2 Fixation en plastique  
x2 Anclaje de plástico



RP348110-HOOK

X2 Hook \*  
X2 Crochet  
X2 Gancho



RP348110-PLATE

X2 Metal Plate \*  
X2 Plaque de métal  
X2 Placa de metal

\* Replaceable Part

## **Protect Your Wood or Laminate Flooring**

\*This statement applies to any floor without carpet.

If not careful, all furniture including upholstery and case pieces can scratch, scuff and even gouge floors. The recommendation is to have felt, rubber pads or area rugs under furniture on flooring without carpet.

### **Moving your furniture**

Pushing and dragging furniture over floors without carpet can lead to scratches and scuffs. Have someone help when moving the larger pieces of furniture by lifting, try using a dolly or moving pads.

### **Felt and rubber pads**

Applying furniture pads to the feet of furniture helps cushion contact points. Furniture pads can be found at local hardware stores. Felt pads slide easily across the floor, making them ideal for dining chairs and other pieces that move with use. Rubber pads will help furniture stay in place and are perfect for larger pieces, like sofas and loveseats.

### **Area rugs and rug pads**

Using an area rug under furniture is another way to protect your floor from scratches and scuff marks. A rug pad under the area rug will provide extra cushion and added protection.