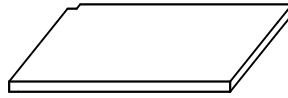
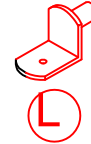


x1 Center Leg \*  
x1 Pattes centrales  
x1 Patas centrales



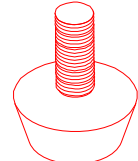
x2 Adjustable Shelf \*  
x2 Tablette ajustable  
x2 Estante ajustable



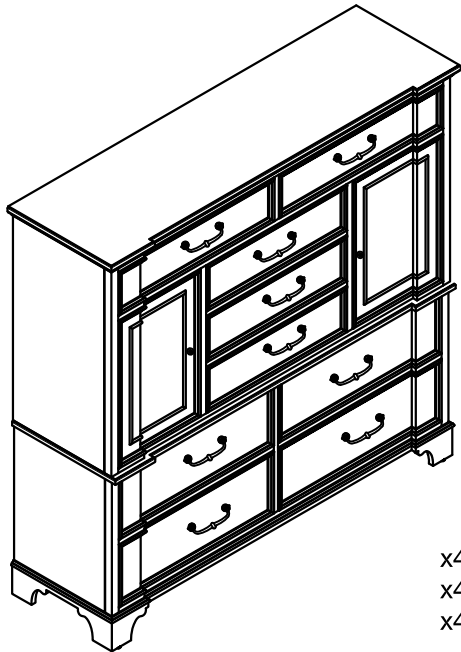
x8 Shelf Supports \*  
x8 Supports Pour Tablette  
x8 Soporte De Las Repisas



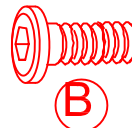
x1 Tipping restraint \*  
x1 Liste des pièces de  
quincaillerie antibasculement  
x1 Abrazadera antivuelco



x3 Adjustable leveler-Brown \*  
x3 Patin réglable  
x3 Nivelador ajustable



x1 Allen Wrench 73\*29\*5mm \*  
x1 Clé hexagonale  
x1 Llave Allen



x2 Bolt 5/16\*25mm \*  
x2 Boulon  
x2 Perno



x2 Lock washer 5/16 " \*  
x2 Rondelle de blocage  
x2 Arandela de Seguridad



x2 Flat Washer 5/16 " \*  
x2 Rondelle plate  
x2 Arandela plana



x4 Flat Washer 1/4\*16mm \*  
x4 Rondelle plate  
x4 Arandela plana



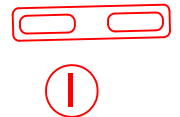
x4 Lock washer 1/4 " \*  
x4 Rondelle de blocage  
x4 Arandela de Seguridad



x4 Bolt 1/4\*15mm \*  
x4 Boulon  
x4 Perno



x1 Allen Wrench 69\*27.2\*4mm \*  
x1 Clé hexagonale  
x1 Llave Allen



x2 Metal plate \*  
x2 Plaque de métal  
x2 Placa de metal

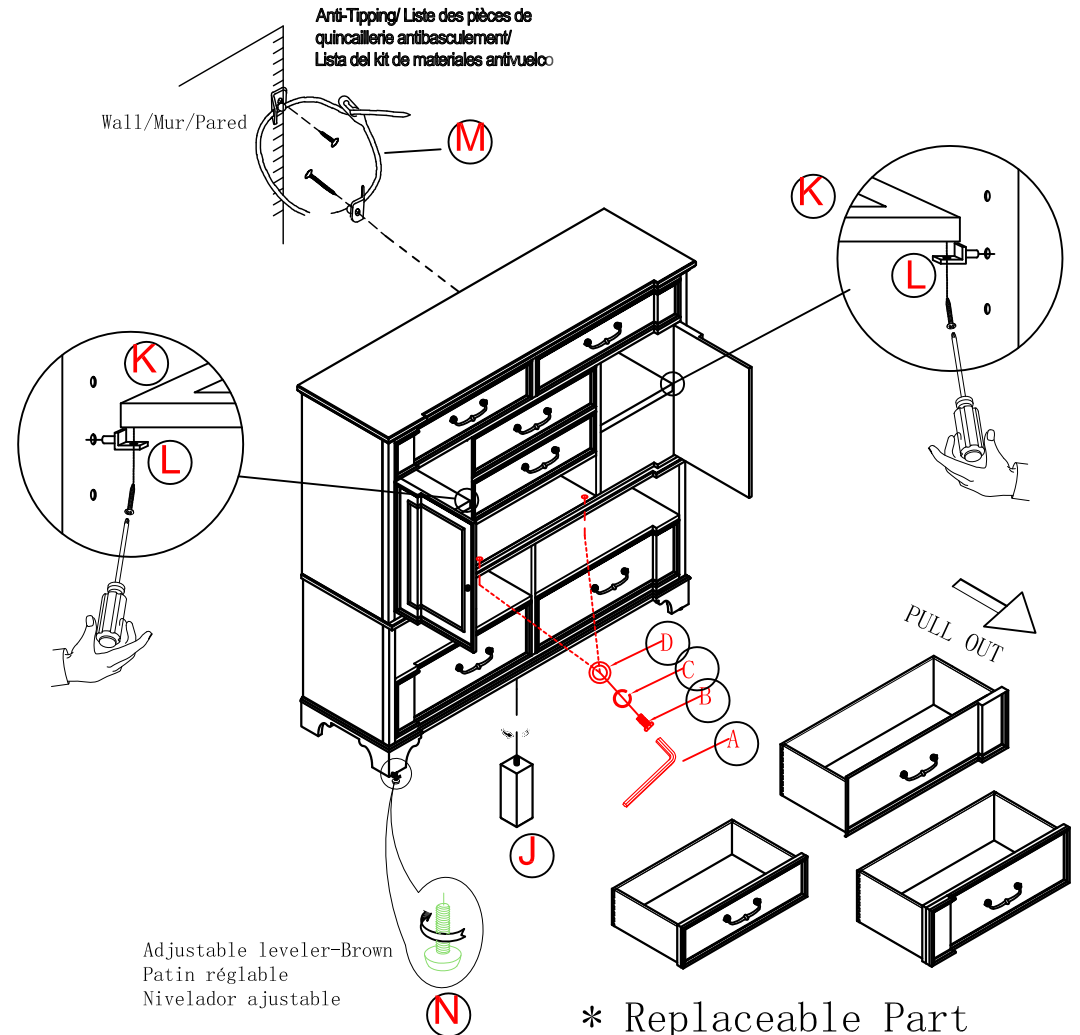
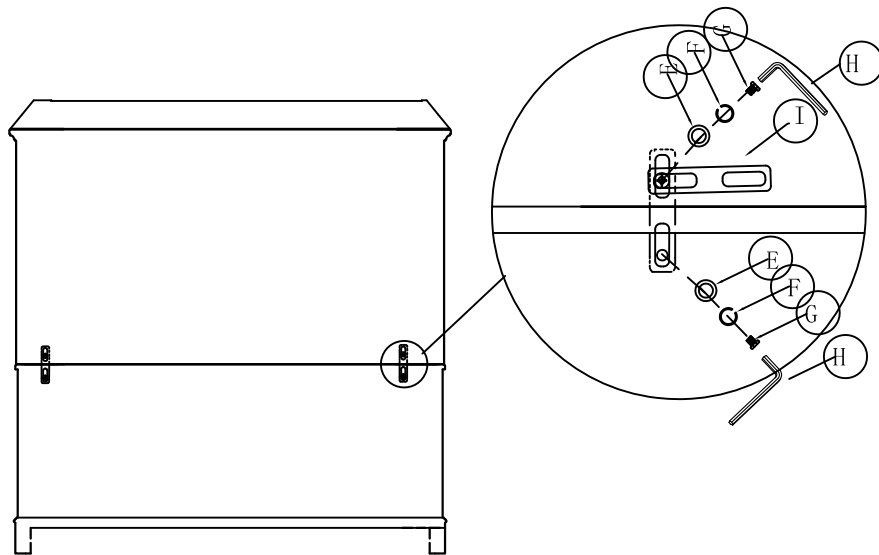
\* Replaceable Part

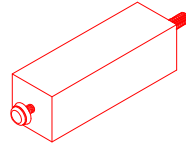
**WARNING**

Children have died from furniture tipover. To reduce the risk of furniture tipover:

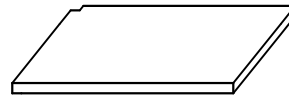
- ALWAYS install tipover restraint provided.
- NEVER put a TV on this product.
- NEVER allow children to stand, climb or hang on drawers, doors, or shelves.
- NEVER open more than one drawer at a time.
- Place heaviest items in the lowest drawers.

*This is a permanent label. Do not remove!*

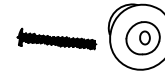




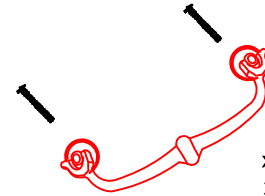
RP348127-CELEG \*  
x1 Center Leg  
x1 Pattes centrales  
x1 Patas centrales



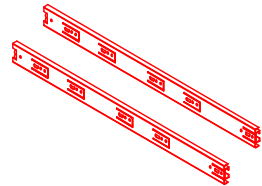
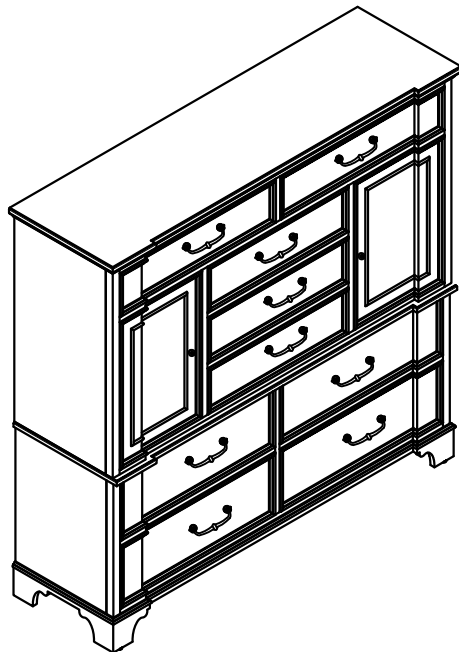
RP348127-SHELF \*  
x2 Adjustable Shelf  
x2 Tablette ajustable  
x2 Estante ajustable



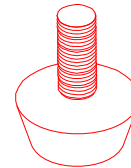
RP348100-KNOB \*  
x2 Knob with screw  
x2 Tirer et vis  
x2 Tire y Tornillo



RP348100-PULL \*  
x9 Pull with screw  
x9 Tirer et vis  
x9 Tire y Tornillo



COMGLIDE-10-45 \*  
x9 Drawer Glide 10"L x 45mmW  
x9 Glissière  
x9 Carril de deslizamiento



RC-FG-BROWN \*  
x3 Adjustable leveler-Brown  
x3 Patin réglable  
x3 Nivelador ajustable



RC-BR-NAIL  
x2 Plastic Nail \*  
x2 Clou en plastique  
x2 Clavo de plástico



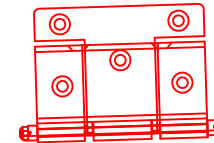
RP348127-SUPP  
x8 Shelf Supports \*  
x8 Supports Pour Tablette  
x8 Soporte De Las Repisas



x1 RP348127-HWKIT \*  
Hardware Kit  
Liste des pièces de quincaillerie  
Lista del materiales



RP348127-PLATE \*  
x2 Metal plate  
x2 Plaque de métal  
x2 Placa de metal



RP348127-HINGE \*  
x4 Door Hinge  
x4 Charnière de porte  
x4 Bisagra de la puerta



RC-ANTI-TIP \*  
x1 Tipping restraint  
x1 Liste des pièces de quincaillerie antibasculément  
x1 Abrazadera antivuelco

\* Replaceable Part

## **Protect Your Wood or Laminate Flooring**

\*This statement applies to any floor without carpet.

If not careful, all furniture including upholstery and case pieces can scratch, scuff and even gouge floors. The recommendation is to have felt, rubber pads or area rugs under furniture on flooring without carpet.

### **Moving your furniture**

Pushing and dragging furniture over floors without carpet can lead to scratches and scuffs. Have someone help when moving the larger pieces of furniture by lifting, try using a dolly or moving pads.

### **Felt and rubber pads**

Applying furniture pads to the feet of furniture helps cushion contact points. Furniture pads can be found at local hardware stores. Felt pads slide easily across the floor, making them ideal for dining chairs and other pieces that move with use. Rubber pads will help furniture stay in place and are perfect for larger pieces, like sofas and loveseats.

### **Area rugs and rug pads**

Using an area rug under furniture is another way to protect your floor from scratches and scuff marks. A rug pad under the area rug will provide extra cushion and added protection.