

PARTS LIST / LISTE DES PIÈCES / LISTA DE PIEZAS

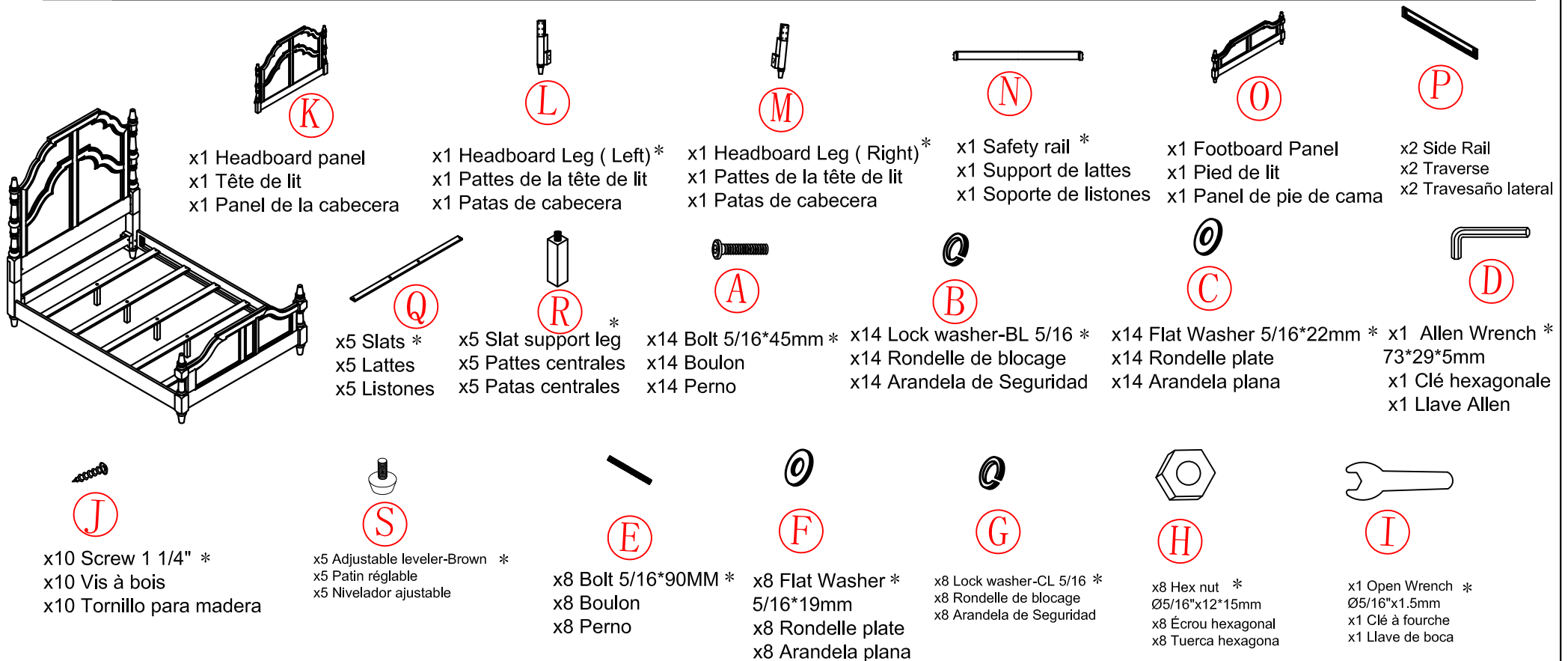
ITEM NO. / ARTICLE NO. / ARTICULO NO : P348150/P348151/P348152

DESCRIPTION/LA DESCRIPCION/DESCRIPCION :

5/0 Panel Headboard-Tête de grand lit en panneau-Cabecera estilo panel de 5/0

5/0 Panel Footboard & Slats-Pied de grand lit en panneau avec banc de lit-Pie de cama estilo panel con listones de 5/0

5/0-6/6 Side Rails-Traverses de grand lit et très grand lit standard-Travesaños laterales de 5/0-6/6



* Replaceable Part

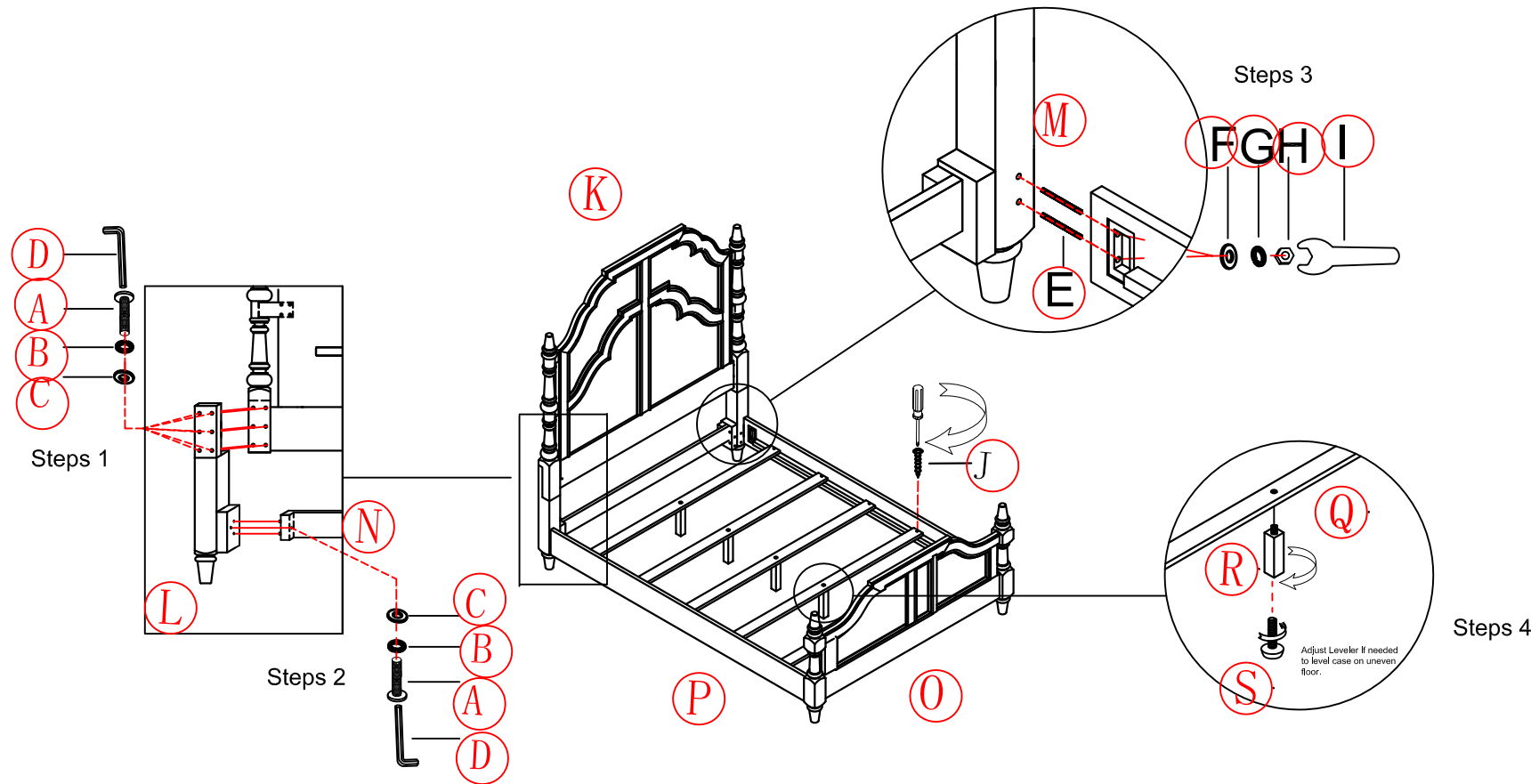
ITEM NO. / ARTICLE NO. / ARTICULO NO : P348150/P348151/P348152

DESCRIPTION/LA DESCRIPCION/DESCRIPCIÓN :

5/0 Panel Headboard-Tête de grand lit en panneau-Cabecera estilo panel de 5/0

5/0 Panel Footboard & Slats-Pied de grand lit en panneau avec banc de lit-Pie de cama estilo panel con listones de 5/0

5/0-6/6 Side Rails-Traverses de grand lit et très grand lit standard-Travesaños laterales de 5/0-6/6



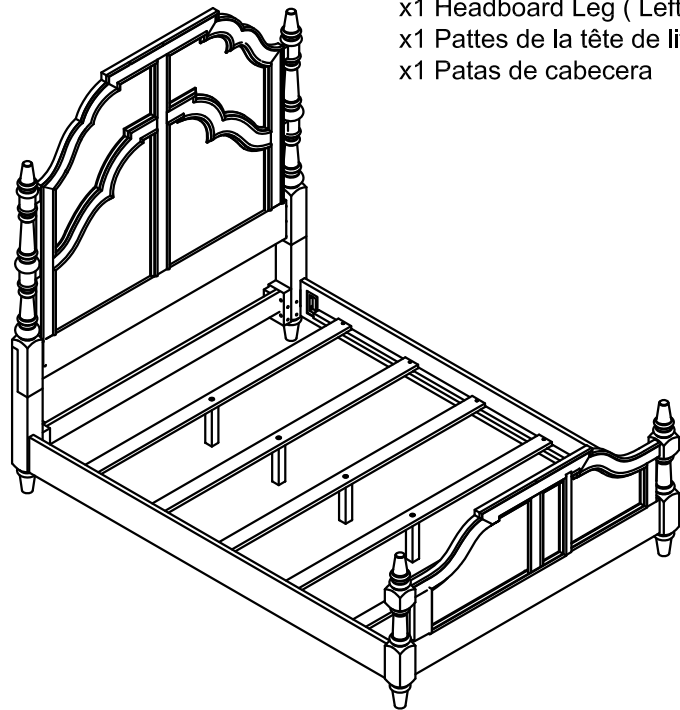
* Replaceable Part

DESCRIPTION/LA DESCRIPCION/DESCRIPCIÓN :

5/0 Panel Headboard-Tête de grand lit en panneau-Cabecera estilo panel de 5/0

5/0 Panel Footboard & Slats-Pied de grand lit en panneau avec banc de lit-Pie de cama estilo panel con listones de 5/0

5/0-6/6 Side Rails-Traverses de grand lit et très grand lit standard-Travesaños laterales de 5/0-6/6



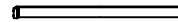
RP348150-LEGL *

x1 Headboard Leg (Left)
x1 Pattes de la tête de lit
x1 Patas de cabecera



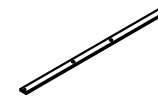
RP348150-LEGR *

x1 Headboard Leg (Right)
x1 Pattes de la tête de lit
x1 Patas de cabecera



RP348150-RAIL *

x1 Safety rail
x1 Support de lattes
x1 Soporte de listones



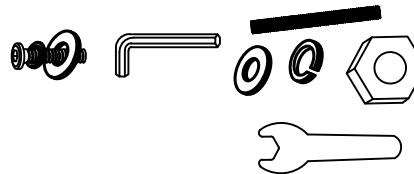
RP348151-SLAT *

x5 Slats
x5 Lattes
x5 Listones



RP348151-SULEG *

x5 Slat support leg
x5 Pattes centrales
x5 Patas centrales



RP348150-HWKIT *

x1 P348150 HWKIT-Hardware Kit
x1 Liste des pièces de quincaillerie
x1 Lista de materiales



RP348151-SCREW *

x10 Screw 1 1/4"
x10 Vis à bois
x10 Tornillo para madera



RC-BR-NAIL *

x4 Plastic Nail
x4 Clou en plastique
x4 Clavo de plástico



RC-FG-BROWN *

x5 Adjustable leveler-Brown
x5 Patin réglable
x5 Nivelador ajustable

* Replaceable Part

Protect Your Wood or Laminate Flooring

*This statement applies to any floor without carpet.

If not careful, all furniture including upholstery and case pieces can scratch, scuff and even gouge floors. The recommendation is to have felt, rubber pads or area rugs under furniture on flooring without carpet.

Moving your furniture

Pushing and dragging furniture over floors without carpet can lead to scratches and scuffs. Have someone help when moving the larger pieces of furniture by lifting, try using a dolly or moving pads.

Felt and rubber pads

Applying furniture pads to the feet of furniture helps cushion contact points. Furniture pads can be found at local hardware stores. Felt pads slide easily across the floor, making them ideal for dining chairs and other pieces that move with use. Rubber pads will help furniture stay in place and are perfect for larger pieces, like sofas and loveseats.

Area rugs and rug pads

Using an area rug under furniture is another way to protect your floor from scratches and scuff marks. A rug pad under the area rug will provide extra cushion and added protection.