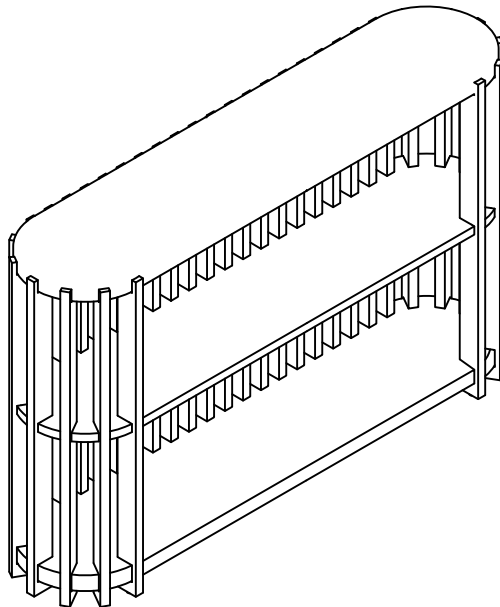


PARTS LIST / LISTE DES PIÈCES / LISTA DE PIEZAS

ITEM NO. / ARTICLE NO. / ARTICULO NO : P301558

DESCRIPTION / LA DESCRIPCION / DESCRIPCIÓN : Console/Console/Consola



A

- * x1 Tipping restraint
- x1 Liste des pièces de quincaillerie antibasculément
- x1 Abrazadera antivuelco



B

- * x4 Adjustable leveler
- x4 Patin réglable
- x4 Nivelador ajustable



* Replaceable Part

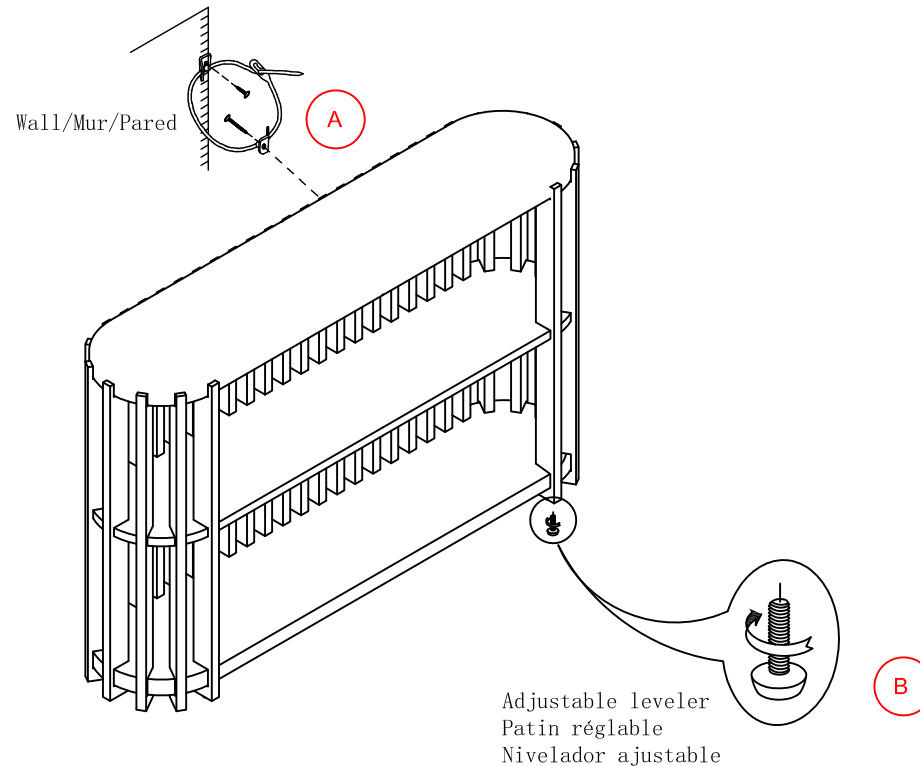
ASSEMBLY INSTRUCTIONS/ NOTICE DE MONTAGE/ INSTRUCCIONES DE MONTAJE

ITEM NO. / ARTICLE NO. / ARTICULO NO : P301558

DESCRIPTION / LA DESCRIPCION / DESCRIPCIÓN : Console/Console/Consola

WARNING	
	Children have died from furniture tipover. To reduce the risk of furniture tipover: <ul style="list-style-type: none">• ALWAYS install tipover restraint provided.• NEVER put a TV on this product.• NEVER allow children to stand, climb or hang on drawers, doors, or shelves.
	<ul style="list-style-type: none">• NEVER open more than one drawer at a time.• Place heaviest items in the lowest drawers. <p><i>This is a permanent label. Do not remove!</i></p>

Anti-Tipping/ Liste des pièces de quincaillerie antibasculement/
Lista del kit de materiales antivuelco

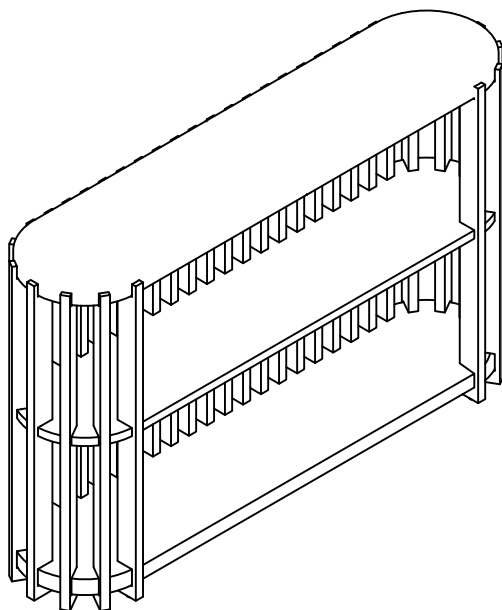


* Replaceable Part

REPLACEABLE PART/ PARTIE REMPLACABLE/ PARTE REEMPLAZABLE

ITEM NO. / ARTICLE NO. / ARTICULO NO : P301558

DESCRIPTION / LA DESCRIPCION / DESCRIPCIÓN : Console/Console/Consola



A

* RC-ANTI-TIP
x1 Tipping restraint
x1 Liste des pièces de quincaillerie antibasculement
x1 Abrazadera antivuelco



B

* RP301558-LEVE
x4 Adjustable leveler
x4 Patin réglable
x4 Nivelador ajustable



* Replaceable Part