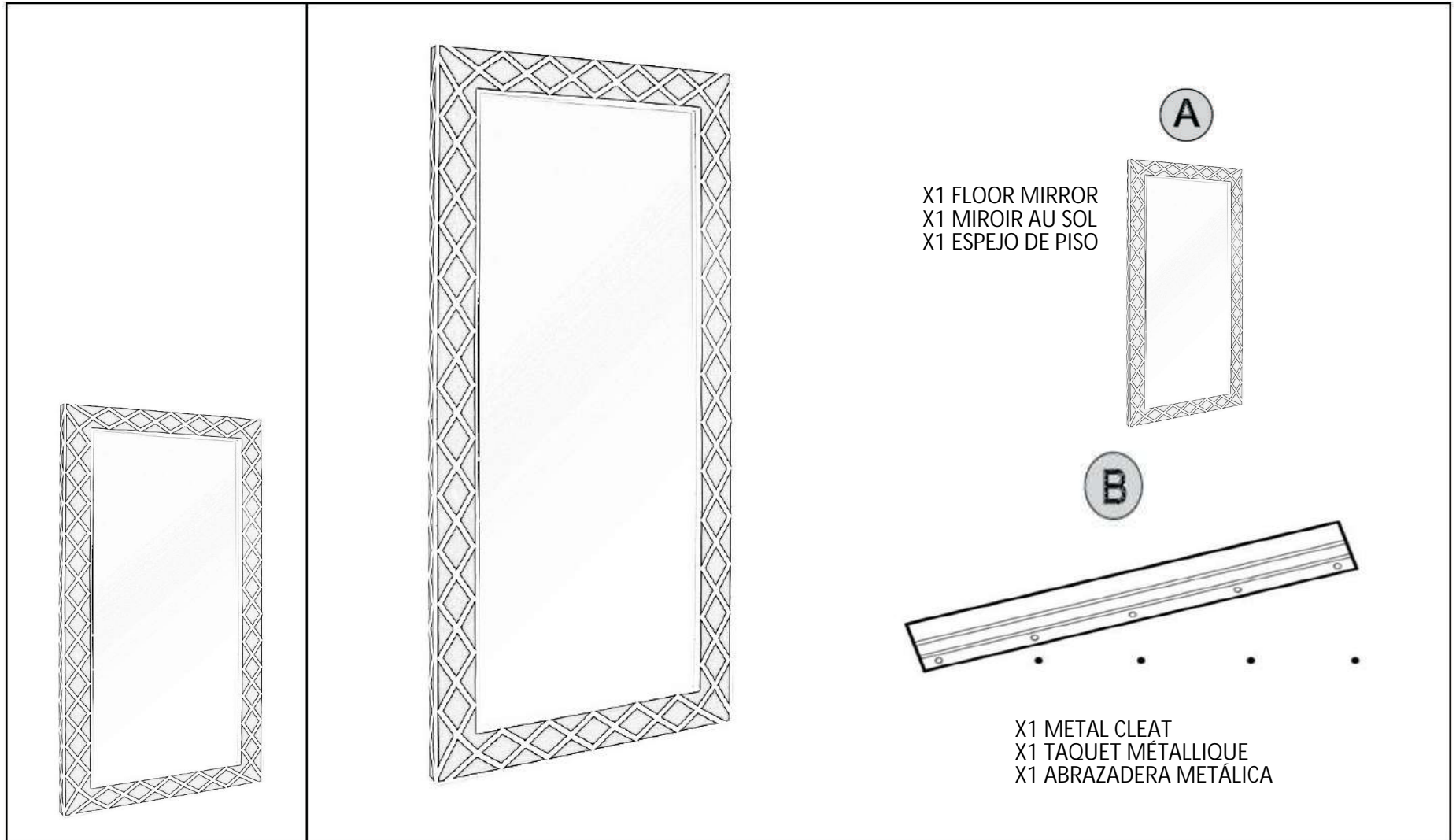


PARTS LIST / LISTE DES PIÈCES / LISTA DE PIEZAS

ITEM NO. / ARTICLE NO. / ARTICULO NO : P301547

DESCRIPTION / DESCRIPCIÓN : FLOOR MIRROR/MIROIR AU SOL/ESPEJO DE PISO



X1 FLOOR MIRROR
X1 MIROIR AU SOL
X1 ESPEJO DE PISO

X1 METAL CLEAT
X1 TAQUET MÉTALLIQUE
X1 ABRAZADERA METÁLICA

Residential Use Only

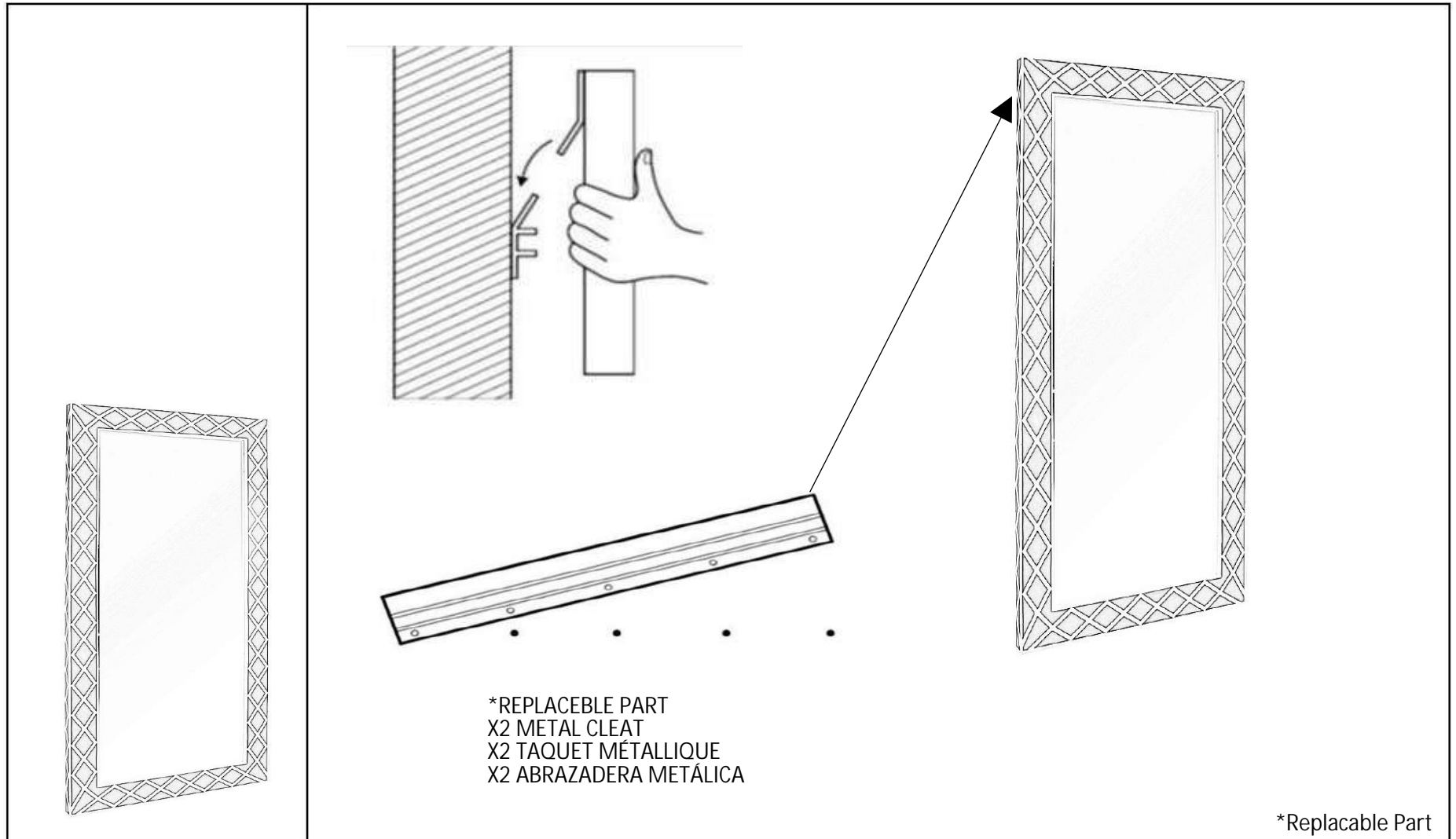
Made in India/Fabriqu  au India/Hecho en India

“ For further assembly information, please go to www.myfurnitureinstructions.com ”

ASSEMBLY INSTRUCTIONS / NOTICE DE MONTAGE / INSTRUCCIONES DE MONTAJE

ITEM NO. / ARTICLE NO. / ARTICULO NO : P301547

DESCRIPTION / DESCRIPCIÓN : FLOOR MIRROR/MIROIR AU SOL/ESPEJO DE PISO



Protect Your Wood or Laminate Flooring

*This statement applies to any floor without carpet.

If not careful, all furniture including upholstery and case pieces can scratch, scuff and even gouge floors. The recommendation is to have felt, rubber pads or area rugs under furniture on flooring without carpet.

Moving your furniture

Pushing and dragging furniture over floors without carpet can lead to scratches and scuffs. Have someone help when moving the larger pieces of furniture by lifting, try using a dolly or moving pads.

Felt and rubber pads

Applying furniture pads to the feet of furniture helps cushion contact points. Furniture pads can be found at local hardware stores. Felt pads slide easily across the floor, making them ideal for dining chairs and other pieces that move with use. Rubber pads will help furniture stay in place and are perfect for larger pieces, like sofas and loveseats.

Area rugs and rug pads

Using an area rug under furniture is another way to protect your floor from scratches and scuff marks. A rug pad under the area rug will provide extra cushion and added protection.