

PARTS LIST / LISTE DES PIÈCES / LISTA DE PIEZAS

ITEM NO. / ARTICLE NO. / ARTICULO NO : P301507

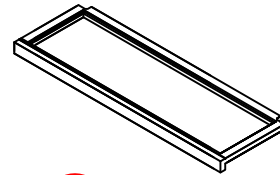
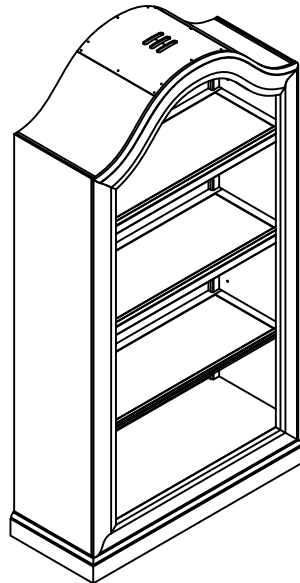
DESCRIPTION/LA DESCRIPCION/DESCRIPCIÓN : Bookcase/Bibliothèque/Biblioteca

**WARNING**

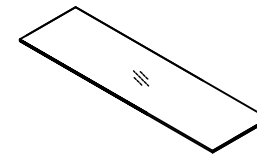
Children have died from furniture tipover. To reduce the risk of furniture tipover:

- ALWAYS install tipover restraint provided.
- NEVER put a TV on this product.
- NEVER allow children to stand, climb or hang on drawers, doors, or shelves.
- NEVER open more than one drawer at a time.
- Place heaviest items in the lowest drawers.

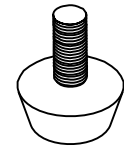
*This is a permanent label. Do not remove!*



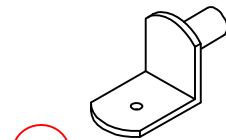
**A** \*  
x2 Adjustable Shelf  
x2 Tablette ajustable  
x2 Estante ajustable



**B** \*  
x3 Glass Shelf  
x3 Étagère en verre  
x3 Estante de vidrio



**C** \*  
x2 Adjustable leveler  
x2 Patin réglable  
x2 Nivelador ajustable



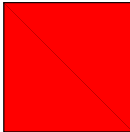
**D** \*  
x8 Shelf Supports  
x8 Supports Pour Tablette  
x8 Soporte De Las Repisas



**F** \*  
x1 Tipping restraint  
x1 Liste des pièces de quincaillerie antibasculément  
x1 Abrazadera antivuelco

\* Replaceable Part

ASSEMBLY INSTRUCTIONS/ NOTICE DE MONTAGE/ INSTRUCCIONES DE MONTAJE

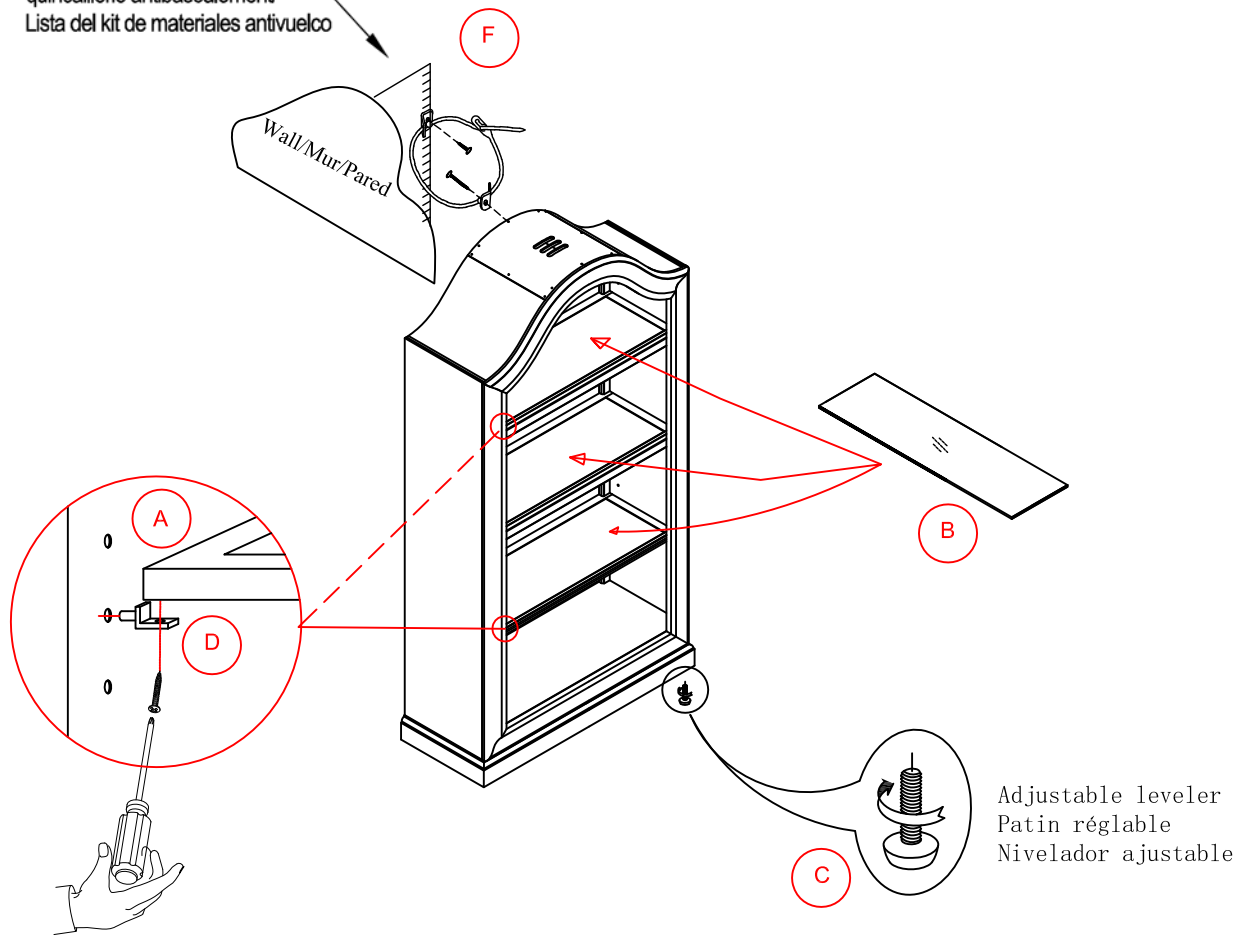


ITEM NO. / ARTICLE NO. / ARTICULO NO : P301507

DESCRIPTION/LA DESCRIPCION/DESCRIPCIÓN : Bookcase/Bibliothèque/Biblioteca

▲ WARNING	
	<b>Children have died from furniture tipover. To reduce the risk of furniture tipover:</b> <ul style="list-style-type: none"><li>• ALWAYS install tipover restraint provided.</li><li>• NEVER put a TV on this product.</li><li>• NEVER allow children to stand, climb or hang on drawers, doors, or shelves.</li><li>• NEVER open more than one drawer at a time.</li><li>• Place heaviest items in the lowest drawers.</li></ul> <i>This is a permanent label. Do not remove!</i>
	

Anti-Tipping/ Liste des pièces de quincaillerie antibasculent/  
Lista del kit de materiales antivuelco



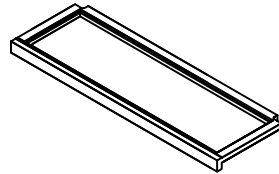
Adjustable leveler  
Patin réglable  
Nivelador ajustable

\* Replaceable Part

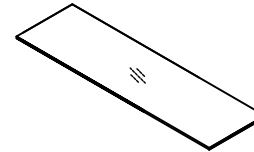
REPLACEABLE PART/ PARTIE REMPLACABLE/ PARTE REEMPLAZABLE

ITEM NO. / ARTICLE NO. / ARTICULO NO : P301507

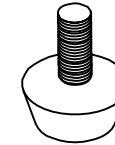
DESCRIPTION/LA DESCRIPCION/DESCRIPCIÓN : Bookcase/Bibliothèque/Biblioteca



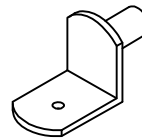
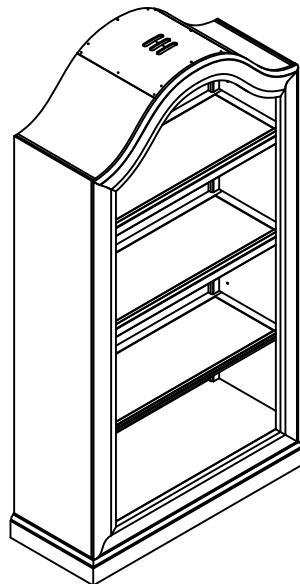
- A** \* RP301507-SHELF  
 x2 Adjustable Shelf  
 x2 Tablette ajustable  
 x2 Estante ajustable



- B** \* RP301507-GSHELF  
 x3 Glass Shelf  
 x3 Étagère en verre  
 x3 Estante de vidrio



- C** \* RP301507-LEVE  
 \* x2 Adjustable leveler  
 x2 Patin réglable  
 x2 Nivelador ajustable



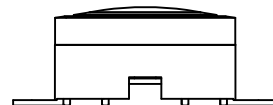
- D** \* RP301507-SUPP  
 \* x8 Shelf Supports  
 x8 Supports Pour Tablette  
 x8 Soporte De Las Repisas



- F** \* RC-ANTI-TIP  
 x1 Tipping restraint  
 x1 Liste des pièces de quincaillerie antibasculement  
 x1 Abrazadera antivuelco



- \* x2 RP301502-NAIL  
 Plastic Nail  
 Clou en plastique  
 Clavo de plástico



- \* RP301507-LIGHT  
 \* x1 Light  
 x1 Éclairage  
 x1 Iluminación



- \* RP301507-PAD  
 x9 Glass plastic pad  
 x9 Coussin en verre  
 x9 Almohadilla de vidrio

\* Replaceable Part