

PARTS LIST / LISTE DES PIÈCES / LISTA DE PIEZAS  
 ITEM NO. / ARTICLE NO. / ARTICULO NO : P301505

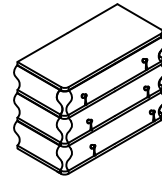
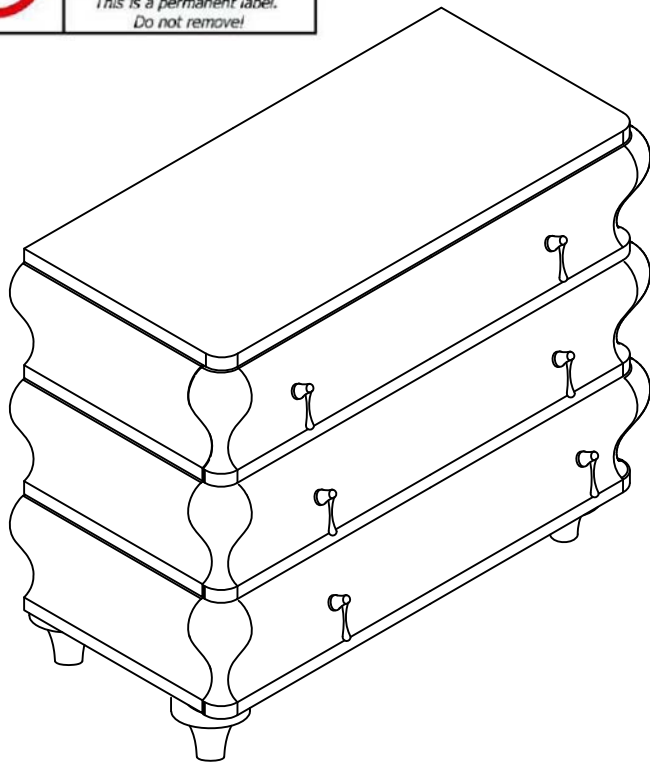
DESCRIPTION / LA DESCRIPCION / DESCRIPCIÓN :Drawer Chest/Commode à tiroirs/Cómoda

**WARNING**

Children have died from furniture tipover. To reduce the risk of furniture tipover:

- ALWAYS install tipover restraint provided.
- NEVER put a TV on this product.
- NEVER allow children to stand, climb or hang on drawers, doors, or shelves.
- NEVER open more than one drawer at a time.
- Place heaviest items in the lowest drawers.

*This is a permanent label. Do not remove!*



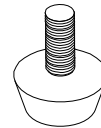
**A**

x1 Drawer Chest  
 x1 Commode à tiroirs  
 x1 Cómoda



**B** \*

x4 Foot  
 x4 Pied  
 x4 Pie



**C** \*

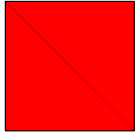
x4 Adjustable leveler  
 x4 Patin réglable  
 x4 Nivelador ajustable



**D** \*

x1 Tipping restraint  
 x1 Liste des pièces de quincaillerie antibasculement  
 x1 Abrazadera antivuelco

\* Replaceable Part



# ASSEMBLY INSTRUCTIONS/ NOTICE DE MONTAGE/ INSTRUCCIONES DE MONTAJE

ITEM NO. / ARTICLE NO. / ARTICULO NO : P301505

DESCRIPTION / LA DESCRIPCION / DESCRIPCIÓN :Drawer Chest/Commode à tiroirs/Cómoda

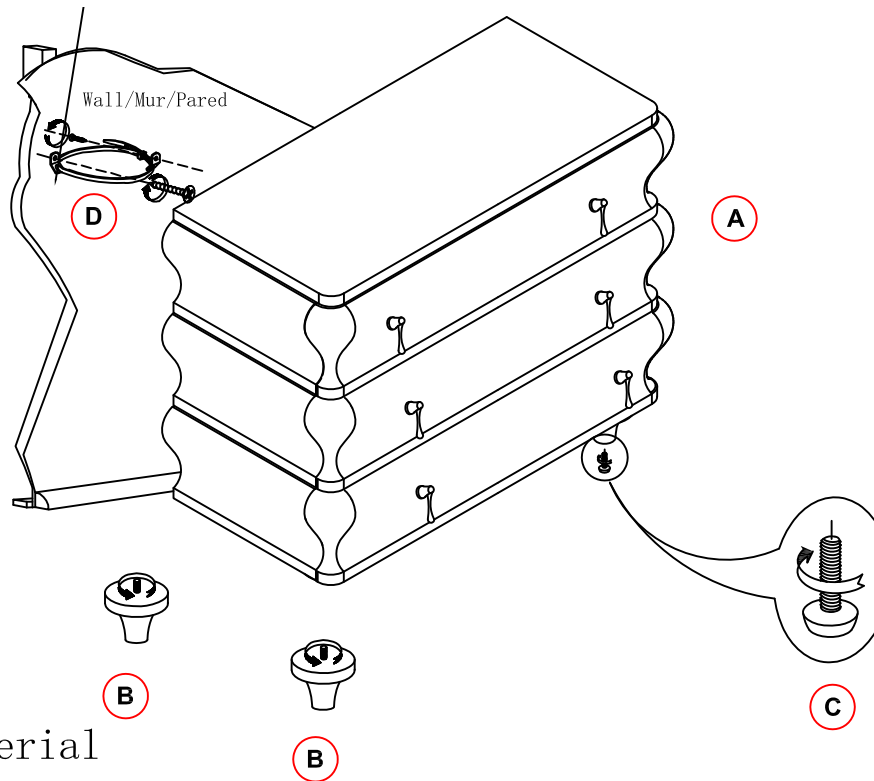
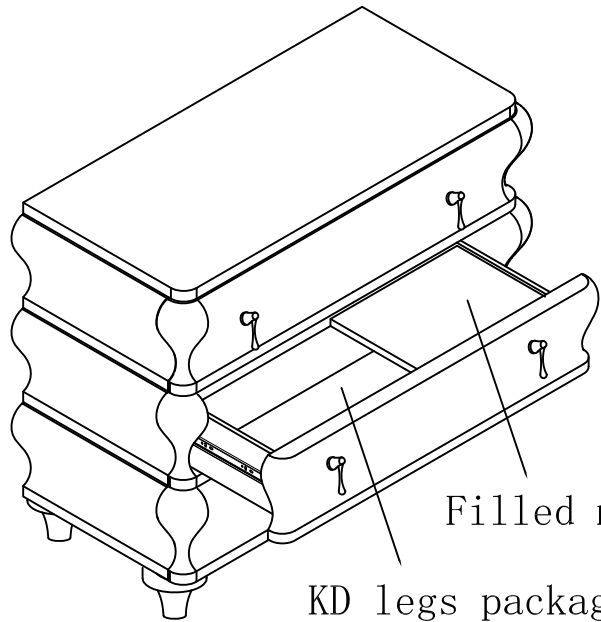
**WARNING**

Children have died from furniture tipover. To reduce the risk of furniture tipover:

- ALWAYS install tipover restraint provided.
- NEVER put a TV on this product.
- NEVER allow children to stand, climb or hang on drawers, doors, or shelves.
- NEVER open more than one drawer at a time.
- Place heaviest items in the lowest drawers.

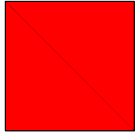
*This is a permanent label. Do not remove!*

Anti-Tipping/Liste des pièces de quincaillerie antibasculement/  
Lista del kit de materiales antivuelco



Adjustable leveler  
Patin réglable  
Nivelador ajustable

\* Replaceable Part



REPLACEABLE PART/ PARTIE REMPLACABLE/ PARTE REEMPLAZABLE  
 ITEM NO. / ARTICLE NO. / ARTICULO NO : P301505

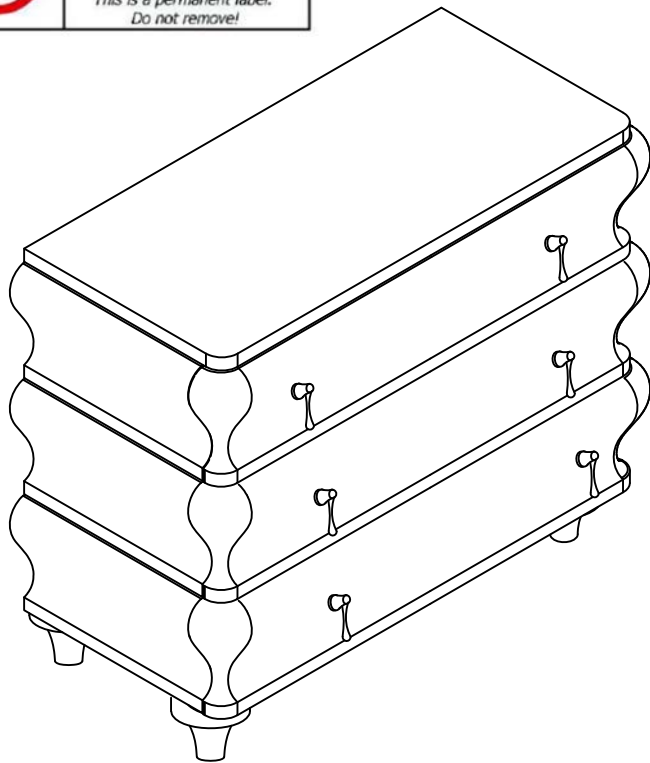
DESCRIPTION / LA DESCRIPCION / DESCRIPCIÓN :Drawer Chest/Commode à tiroirs/Cómoda

**WARNING**

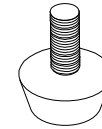
Children have died from furniture tipover. To reduce the risk of furniture tipover:

- ALWAYS install tipover restraint provided.
- NEVER put a TV on this product.
- NEVER allow children to stand, climb or hang on drawers, doors, or shelves.
- NEVER open more than one drawer at a time.
- Place heaviest items in the lowest drawers.

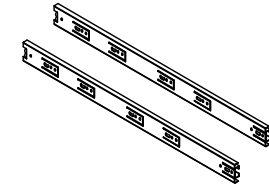
*This is a permanent label. Do not remove!*



\* x4 RP301505-FOOT  
 Foot  
 Pied  
 Pie



\* x4 RP301505-LEVE  
 Adjustable leveler  
 Patin réglable  
 Nivelador ajustable



\* x1 RP301505-DG  
 Full Extension guides  
 Rails à extension complète  
 Rieles completamente extensibles



\* x6 RP301505-PULL  
 Pull with screw  
 Tirer et vis  
 Tire y Tornillo



x1 RC-ANTI-TIP  
 Tipping restraint  
 Liste des pièces de  
 quincaillerie antibasculément  
 Abrazadera antivuelco

\* Replaceable Part