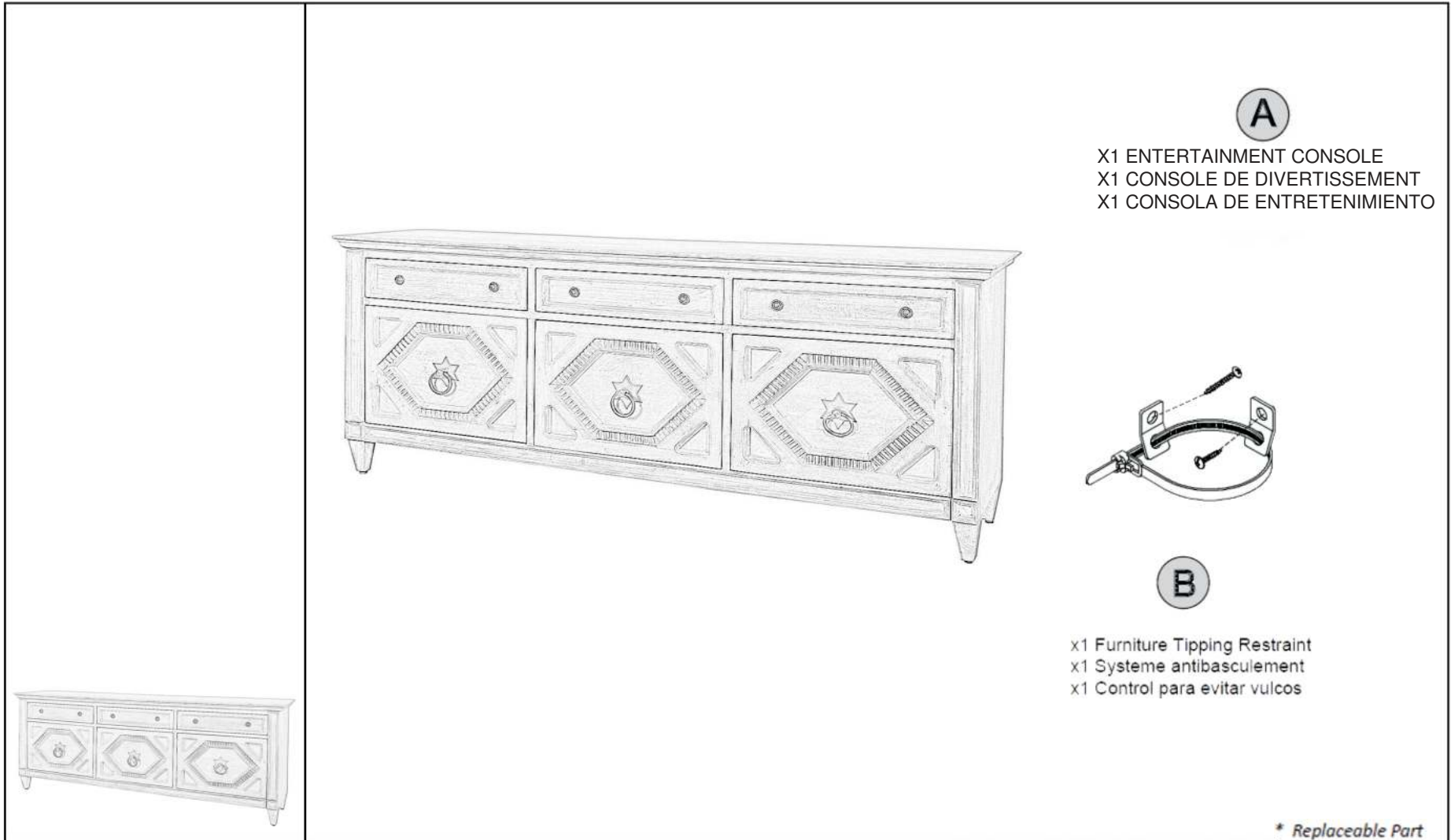


**PARTS LIST / LISTE DES PIÈCES / LISTA DE PIEZAS**

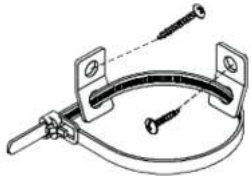
ITEM NO. / ARTICLE NO. / ARTICULO NO : **P301030**

DESCRIPTION / DESCRIPCIÓN : ENTERTAINMENT CONSOLE/CONSOLE DE DIVERTISSEMENT/CONSOLA DE ENTRETENIMIENTO



**A**

X1 ENTERTAINMENT CONSOLE  
X1 CONSOLE DE DIVERTISSEMENT  
X1 CONSOLA DE ENTRETENIMIENTO



**B**

x1 Furniture Tipping Restraint  
x1 Systeme antibasciement  
x1 Control para evitar vulcos

\* Replaceable Part

Residential Use Only

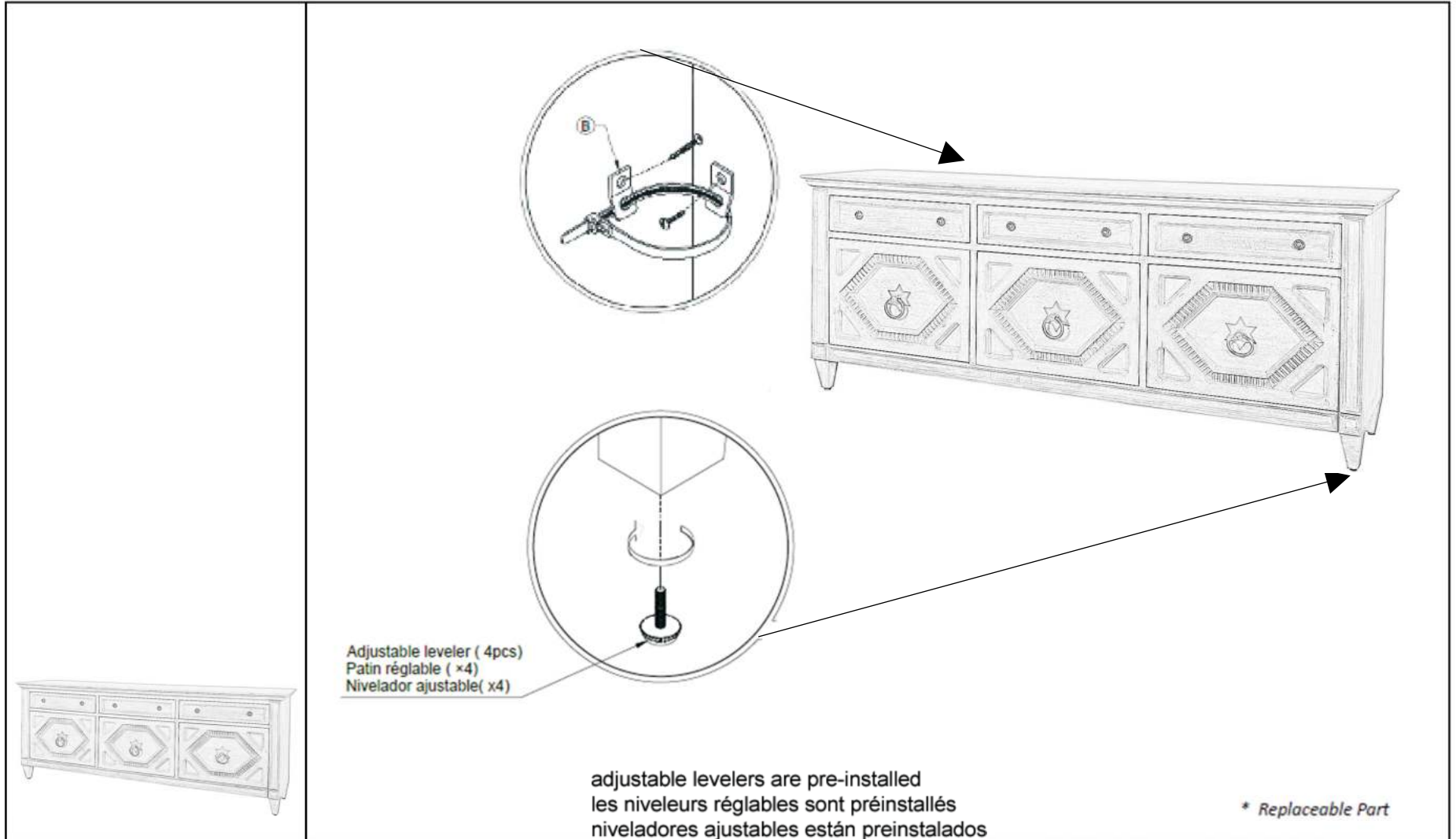
Made in India/Fabriqu  au India/Hecho en India

“ For further assembly information, please go to [www.myfurnitureinstructions.com](http://www.myfurnitureinstructions.com) “

**ASSEMBLY INSTRUCTIONS / NOTICE DE MONTAGE / INSTRUCCIONES DE MONTAJE**

ITEM NO. / ARTICLE NO. / ARTICULO NO : P301030

DESCRIPTION / DESCRIPCIÓN : ENTERTAINMENT CONSOLE/CONSOLE DE DIVERTISSEMENT/CONSOLA DE ENTRETENIMIENTO



Residential Use Only

Made in India/Fabriqué au India/Hecho en India

“ For further assembly information, please go to [www.myfurnitureinstructions.com](http://www.myfurnitureinstructions.com) “

## **Protect Your Wood or Laminate Flooring**

\*This statement applies to any floor without carpet.

If not careful, all furniture including upholstery and case pieces can scratch, scuff and even gouge floors. The recommendation is to have felt, rubber pads or area rugs under furniture on flooring without carpet.

### **Moving your furniture**

Pushing and dragging furniture over floors without carpet can lead to scratches and scuffs. Have someone help when moving the larger pieces of furniture by lifting, try using a dolly or moving pads.

### **Felt and rubber pads**

Applying furniture pads to the feet of furniture helps cushion contact points. Furniture pads can be found at local hardware stores. Felt pads slide easily across the floor, making them ideal for dining chairs and other pieces that move with use. Rubber pads will help furniture stay in place and are perfect for larger pieces, like sofas and loveseats.

### **Area rugs and rug pads**

Using an area rug under furniture is another way to protect your floor from scratches and scuff marks. A rug pad under the area rug will provide extra cushion and added protection.