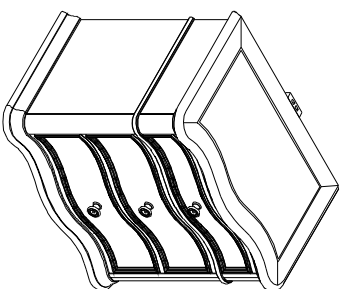
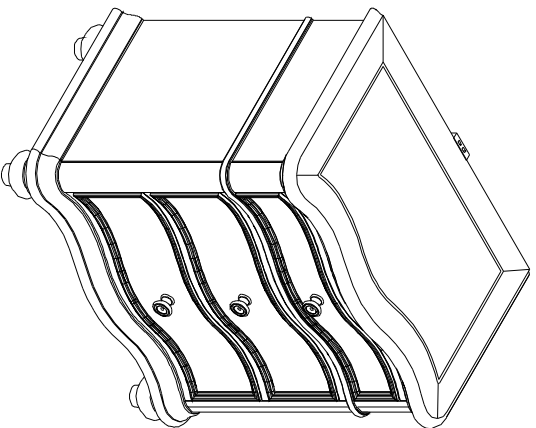


PARTS LIST / LISTE DES PIÈCES / LISTA DE PIEZAS
ITEM NO./ARTICLE NO./ARTICULO NO: P293140

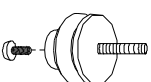
DESCRIPTION/LA DESCRIPTION/ DESCRIPCIÓN: Nightstand/ Table de chevet/ Mesa de noche

| |
|---|
| ⚠ WARNING |
| <p>Children have died from furniture tipover. To reduce the risk of furniture tipover :</p> <ul style="list-style-type: none"> • ALWAYS install tipover restraint provided. • NEVER put a TV on this product. • NEVER allow children to stand, climb or hang on drawers, doors, or shelves. • NEVER open more than one drawer at a time. • Place heaviest items in the lowest drawers. <p><i>This is a permanent label. Do not remove!</i></p> |
|  |
|  |



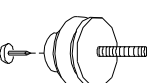
A

- x1 Nightstand
- x1 Table de chevet
- x1 Mesa de noche



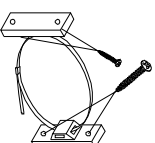
C

- x2 Bun Foot (Front) *
- x2 Pied en forme d'ogron (Avant)
- x2 Pata redonda (Delantera)



D

- x2 Bun Foot (Back) *
- x2 Pied en forme d'ogron (Arrière)
- x2 Pata redonda (Trasera)



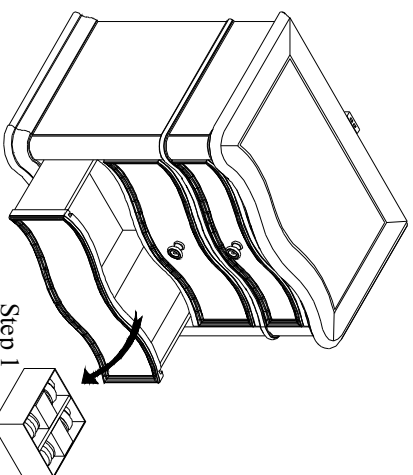
C

- x1 Tipping restraint *
- x1 Liste des pièces de quincaillerie antibasculement
- x1 Abrazadera antivuelco

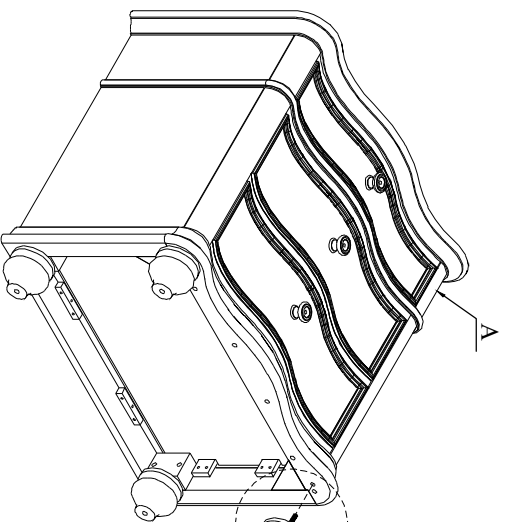
*Replaceable Part

ASSEMBLY INSTRUCTIONS/ NOTICE DE MONTAGE/ INSTRUCCIONES DE MONTAJE
ITEM NO./ARTICLE NO./ARTICULO NO: P293140
DESCRIPTION/ LA DESCRIPTION/ DESCRIPCIÓN: Nightstand/ Table de chevet/ Mesa de noche

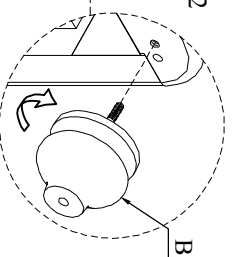
| |
|---|
| ⚠ WARNING |
|  <p>Children have died from furniture tipover. To reduce the risk of furniture tipover :</p> <ul style="list-style-type: none"> • ALWAYS install tipover restraint provided. • NEVER put a TV on this product. • NEVER allow children to stand, climb or hang on drawers, doors, or shelves. • NEVER open more than one drawer at a time. • Place heaviest items in the lowest drawers. <p><i>This is a permanent label. Do not remove!</i></p> |
|  |



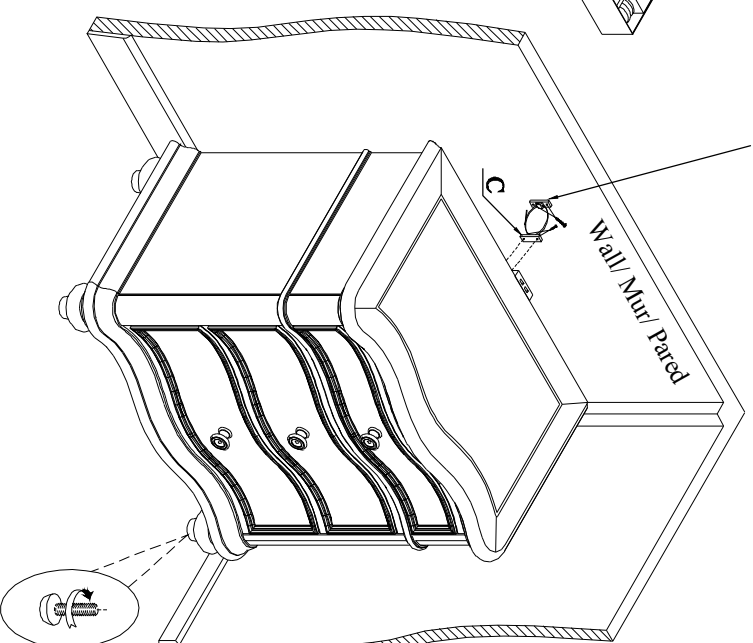
Step 1
Étape 1
Paso 1



Step 2
Étape 2
Paso 2



Tipping restraint/
Liste des pièces de quincaillerie antibasculement/
Abrazadera antivuelco



Adjustable leveler
Patin réglable
Nivelador ajustable

*Replaceable Part



REPLACEABLE PART / PARTIE REMPLAÇABLE / PARTE REEMPLAZABLE

ITEM NO./ARTICLE NO./ARTICULO NO: P293140

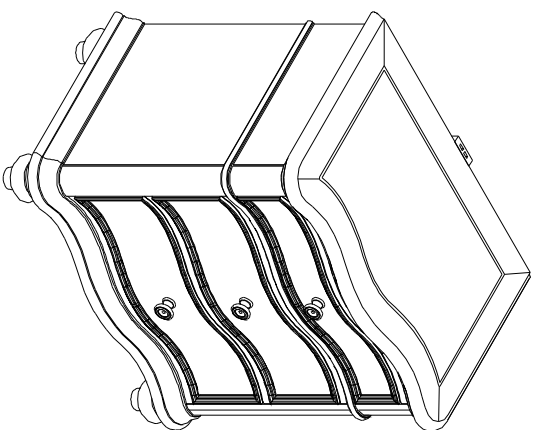
DESCRIPTION/ LA DESCRIPTION/ DESCRIPCIÓN: Nightstand/ Table de chevet/ Mesa de noche

WARNING

Children have died from furniture tipover. To reduce the risk of furniture tipover :

- ALWAYS install tipover restraint provided.
- NEVER put a TV on this product.
- NEVER allow children to stand, climb or hang on drawers, doors, or shelves.
- NEVER open more than one drawer at a time.
- Place heaviest items in the lowest drawers.

This is a permanent label. Do not remove!



- | | | | | | | | | | |
|----------------------------------|--|------------------------------------|--|----------------------------|--|------------------------------|--|---------------------------------|--|
| RP293140 FOOTF * | | RP293140 FOOTB * | | COMGLIDE-10-45 * | | RP293-KNOBL * | | RP293-KNOBS * | |
| x2 Bun Foot (Front) | | x2 Bun Foot (Back) | | x3 Common Drawer Glide | | x2 Large Knob with Screw | | x1 Small Knob with Screw | |
| x2 Pied en forme d'ognon (Avant) | | x2 Pied en forme d'ognon (Arrière) | | x3 Glissière | | x2 Gros POIGNÉE et vis | | x1 Petit POIGNÉE et vis | |
| x2 Pata redonda (Delantera) | | x2 Pata redonda (Trasera) | | x3 Carril de deslizamiento | | x2 TIRADOR grande y Tornillo | | x1 TIRADOR pequeña con Tornillo | |

- | | | | | | | | | | |
|-------------------|--|-----------------|--|------------------------------|--|-----------------|--|--|--|
| RP293140-FELT * | | RP293140-USB * | | RC-FG-WHITE * | | RC-WH-NAIL * | | RC-ANTI-TIP * | |
| x1 Removable Felt | | x1 USB Port | | x2 Common Adjustable Leveler | | x2 Plastic Nail | | x1 Anti-tipping Restraint | |
| x1 Feutre | | x1 Prise USB | | x2 Patin réglable | | x2 Clou | | x1 Liste des pièces de quincaillerie antibasculement | |
| x1 Fieltro | | x1 Conector USB | | x2 Nivelador ajustable | | x2 Clavo | | x1 Lista del kit de materiales antivuelco | |

*Replaceable Part