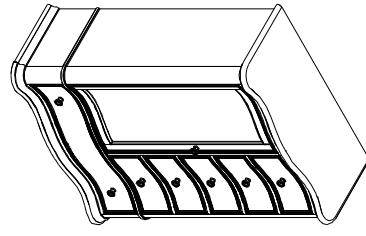
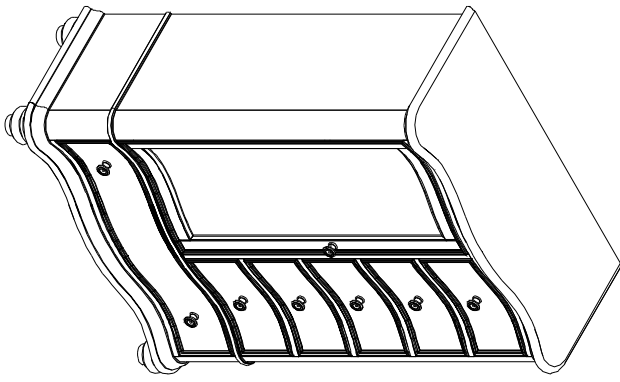
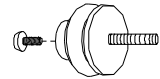


**PARTS LIST / LISTE DES PIÈCES / LISTA DE PIEZAS**  
**ITEM NO./ARTICLE NO./ARTICULO NO: P293125**  
**DESCRIPTION/ LA DESCRIPTION/ DESCRIPCIÓN: Door Chest/ Commode/ Cómoda**

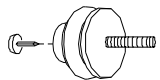
<b>⚠ WARNING</b>	
	
<p>Children have died from furniture tipover. To reduce the risk of furniture tipover:</p> <ul style="list-style-type: none"> <li>• ALWAYS install tipover restraint provided.</li> <li>• NEVER put a TV on this product.</li> <li>• NEVER allow children to stand, climb or hang on drawers, doors, or shelves.</li> <li>• NEVER open more than one drawer at a time.</li> <li>• Place heaviest items in the lowest drawers.</li> </ul> <p><i>This is a permanent label. Do not remove!</i></p>	



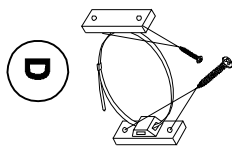
- A**
- x1 Chest
  - x1 Commode
  - x1 Cómoda



- B**
- x2 Bun Foot (Front) \*
  - x2 Pied en forme d'oignon ( Avant)
  - x2 Pata redonda ( Delantera)



- C**
- x2 Bun Foot (Back) \*
  - x2 Pied en forme d'oignon (Arrière)
  - x2 Pata redonda (Trasera)

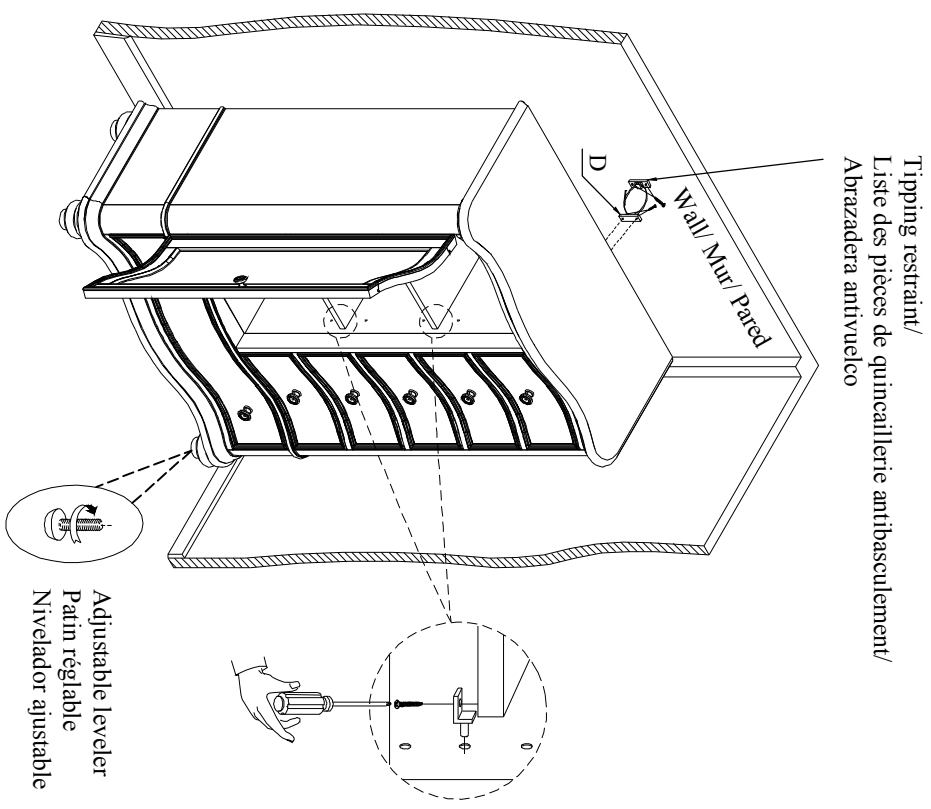
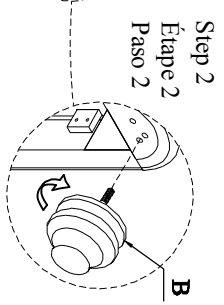
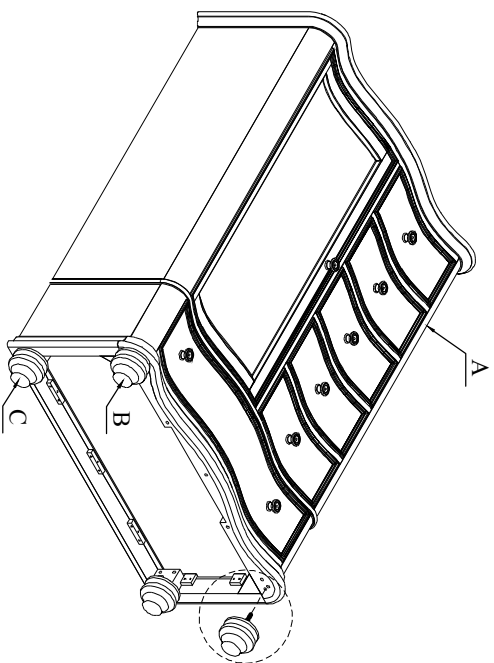
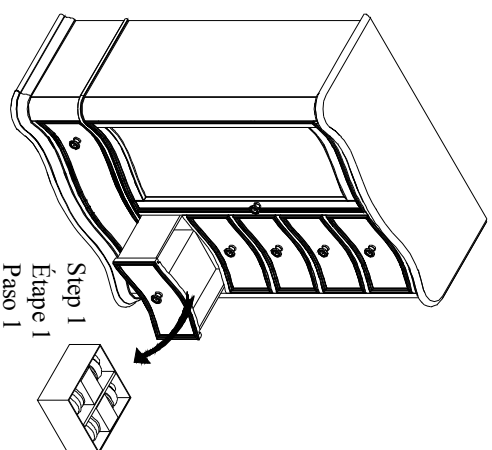


- D**
- x1 Tipping restraint \*
  - x1 Liste des pièces de quincaillerie antibasculement
  - x1 Abrazadera antivuelco

\*Replaceable Part

**ASSEMBLY INSTRUCTIONS/ NOTICE DE MONTAGE/ INSTRUCCIONES DE MONTAJE**  
**ITEM NO./ARTICLE NO./ARTICULO NO. : P293125**  
**DESCRIPTION/ LA DESCRIPTION/ DESCRIPCIÓN: Door Chest/ Commode/ Cómoda**

<b>WARNING</b>
<p>Children have died from furniture tipover. To reduce the risk of furniture tipover :</p> <ul style="list-style-type: none"> <li>• ALWAYS install tipover/ restraint provided.</li> <li>• NEVER put a TV on this product.</li> <li>• NEVER allow children to stand, climb or hang on drawers, doors, or shelves.</li> <li>• NEVER open more than one drawer at a time.</li> <li>• Place heaviest items in the lowest drawers.</li> </ul>
This is a permanent label. Do not remove!



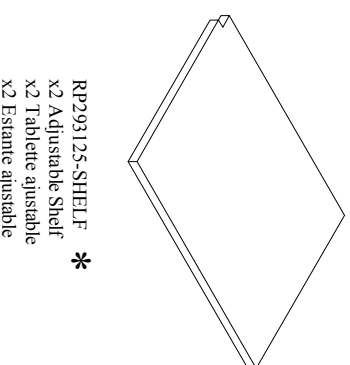
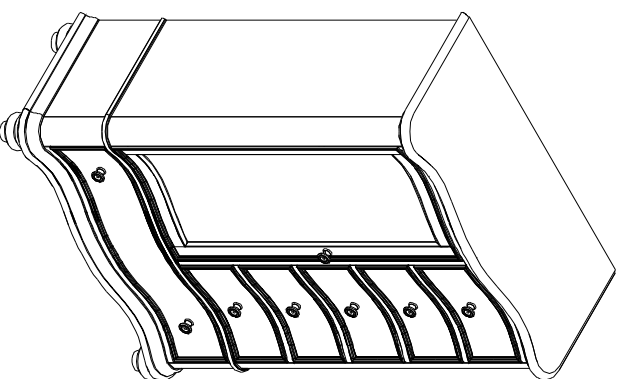
**REPLACEABLE PART / PARTIE REMPLAÇABLE / PARTE REMPLAZABLE**  
**ITEM NO./ARTICLE NO./ARTICULONO: P293125**  
**DESCRIPTION/LA DESCRIPTION/ DESCRIPCIÓN: Door Chest/ Commode/ Cómoda**

**WARNING**

Children have died from furniture tipover. To reduce the risk of furniture tipover :

- ALWAYS install tipover restraint provided.
- NEVER put a TV on this product.
- NEVER allow children to stand, climb or hang on drawers, doors, or shelves.
- NEVER open more than one drawer at a time.
- Place heaviest items in the lowest drawers.

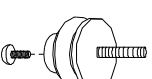
*This is a permanent label. Do not remove!*



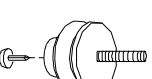
**RP293125-SHELF \***  
 x2 Adjustable Shelf  
 x2 Tablette ajustable  
 x2 Estante ajustable



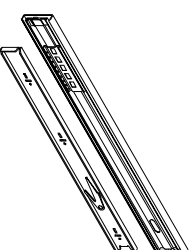
**RP293125-SUPP \***  
 x8 Shelf Support  
 x8 Supports Pour Tablette  
 x8 Soporte De Las Repisas



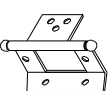
**RP293125-FOOT \***  
 x2 Bun Foot (Front)  
 x2 Pied en forme d'ogon (Avant)  
 x2 Pata redonda (Delantera)



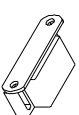
**RP293125-FOOTB \***  
 x2 Bun Foot (Back)  
 x2 Pied en forme d'ogon (Arrière)  
 x2 Pata redonda (Trasera)



**COMGLIDE-12-45 \***  
 x6 Common Drawer Glide  
 x6 Glissière  
 x6 Carril de deslizamiento



**PR293125-HINGE \***  
 x2 Door Hinge  
 x2 Charnière  
 x2 Bisagra



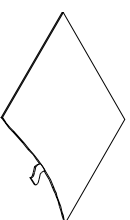
**RP293125-CATCH \***  
 x2 Door Catch  
 x2 Catch de aimant  
 x2 Captura de imán



**RP293-KNOBL \***  
 x7 Large Knob with Screw  
 x7 Gros POIGNÉE et vis  
 x7 TIRADOR grande y Tornillo



**RP293-KNOBS \***  
 x1 Small Knob with Screw  
 x1 Petit POIGNÉE et vis  
 x1 TIRADOR pequeña con Tornillo



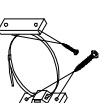
**RP293125-FELT \***  
 x1 Removable Felt  
 x1 Feutre  
 x1 Fieltro



**RC-FG-WHITE \***  
 x2 Common Adjustable Leveler  
 x2 Patin réglable  
 x2 Nivelador ajustable



**RC-WH-NAIL \***  
 x2 Plastic Nail  
 x2 Clou  
 x2 Clavo



**RC-ANTI-TIP \***  
 x1 Anti-tipping Restraint  
 x1 Liste des pièces de quincaillerie antibasculement  
 x1 Lista del kit de materiales antivuelco

\*Replaceable Part