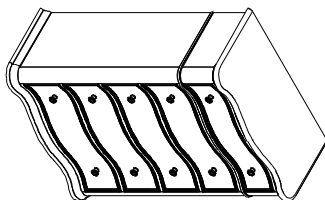
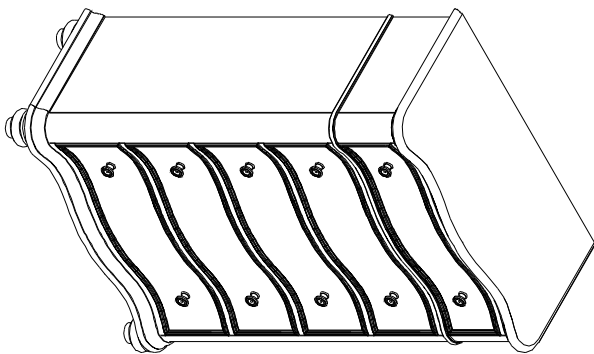




PARTS LIST / LISTE DES PIÈCES / LISTA DE PIEZAS
ITEM NO./ARTICLE NO./ARTICULO NO: P293124

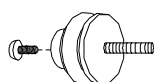
DESCRIPTION/ LA DESCRIPTION/ DESCRIPCIÓN: Chest/ Commode/ Cómoda

⚠ WARNING	
	<p>Children have died from furniture tipover. To reduce the risk of furniture tipover :</p> <ul style="list-style-type: none"> • ALWAYS install tipover restraint provided. • NEVER put a TV on this product. • NEVER allow children to stand, climb or hang on drawers, doors, or shelves. • NEVER open more than one drawer at a time. • Place heaviest items in the lowest drawers. <p><i>This is a permanent label. Do not remove!</i></p>



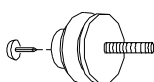
A

- x1 Chest
- x1 Commode
- x1 Cómoda



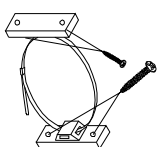
B

- x2 Bun Foot (Front) *
- x2 Pied en forme d'ogive (Avant)
- x2 Pata redonda (Delantera)



C

- x2 Bun Foot (Back) *
- x2 Pied en forme d'ogive (Arrière)
- x2 Pata redonda (Trasera)



D

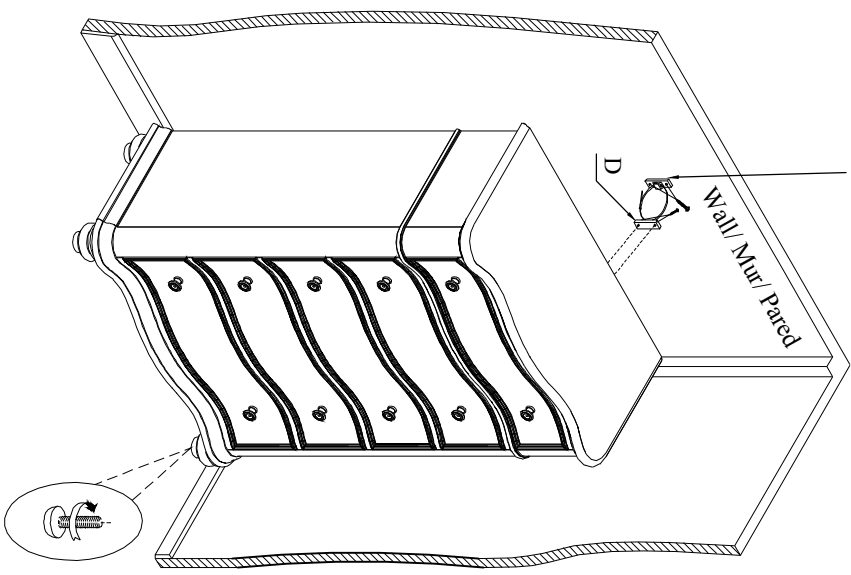
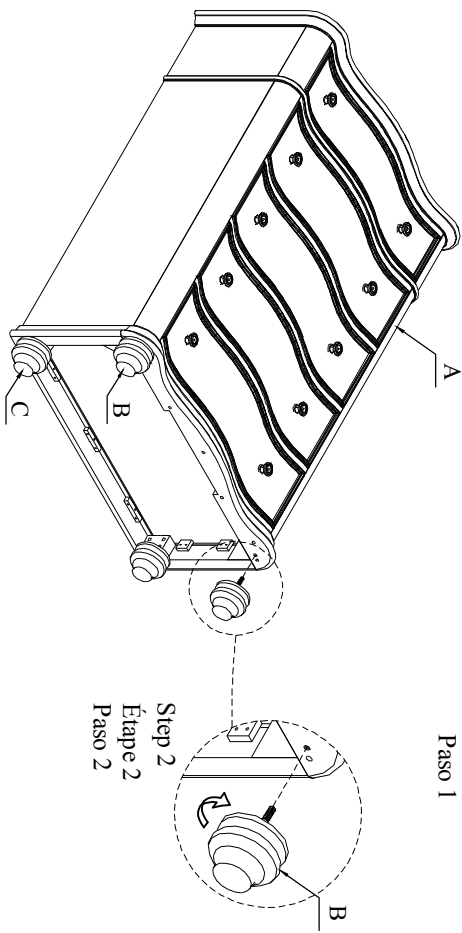
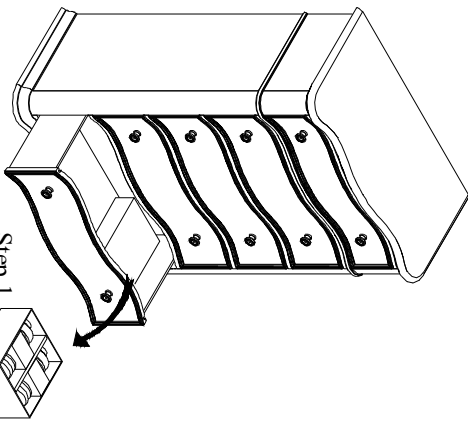
- x1 Tipping restraint *
- x1 Liste des pièces de quincaillerie antibasculement
- x1 Abrazadera antivuelco

*Replaceable Part



ASSEMBLY INSTRUCTIONS/ NOTICE DE MONTAGE/ INSTRUCCIONES DE MONTAJE
 ITEM NO./ARTICLE NO./ARTICULO NO.: P293124
 DESCRIPTION/ LA DESCRIPTION/ DESCRIPCIÓN: Chest/ Commode/ Cómoda

⚠ WARNING
 <p>Children have died from furniture tipover. To reduce the risk of furniture tipover :</p> <ul style="list-style-type: none"> • ALWAYS install tipover restraint provided. • NEVER put a TV on this product. • NEVER allow children to stand, climb or hang on drawers, doors, or shelves. • NEVER open more than one drawer at a time. • Place heaviest items in the lowest drawers.
 <p>This is a permanent label. Do not remove!</p>

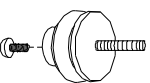
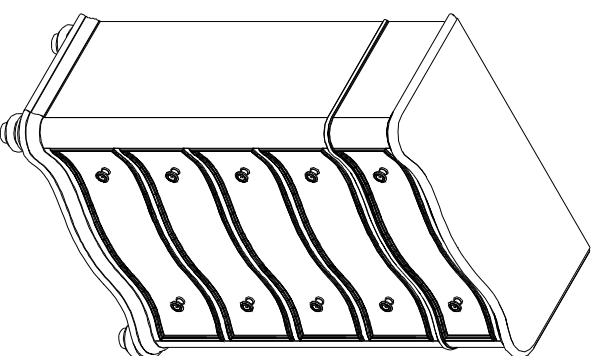


Adjustable leveler
Patin réglable
Nivelador ajustable

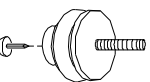
*Replaceable Part

REPLACEABLE PART / PARTIE REMPLAÇABLE / PARTE REMPLAZABLE
ITEM NO./ARTICLE NO./ARTICULO NO: P293124
DESCRIPTION/ LA DESCRIPTION/ DESCRIPCIÓN: Chest/ Commode/ Cómoda

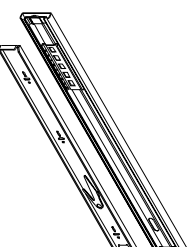
⚠ WARNING	
Children have died from furniture tipover. To reduce the risk of furniture tipover :	
	<ul style="list-style-type: none"> • ALWAYS install tipover restraint provided. • NEVER put a TV on this product. • NEVER allow children to stand, climb or hang on drawers, doors, or shelves. • NEVER open more than one drawer at a time. • Place heaviest items in the lowest drawers.
<i>This is a permanent label. Do not remove!</i>	



RP293124 FOOTF *
 x2 Bun Foot (Front)
 x2 Pied en forme d'oignon (Avant)
 x2 Pata redonda (Delantera)



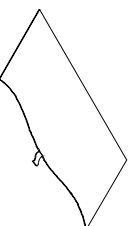
RP293124 FOOTB *
 x2 Bun Foot (Back)
 x2 Pied en forme d'oignon (Arrière)
 x2 Pata redonda (Trasera)



COMGLIDE-12-45 *
 x5 Common Drawer Glide
 x5 Glissière
 x5 Carril de deslizamiento



RP293-KNOBL *
 x10 Large Knob with Screw
 x10 Gros POIGNÉE et vis
 x10 TIRADOR grande y Tornillo



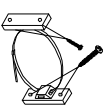
RP293124-FELT *
 x1 Removable Felt
 x1 Feutre
 x1 Fieltro



RC-FG-WHITE *
 x2 Common Adjustable Leveler
 x2 Patin réglable
 x2 Nivelador ajustable



RC-WH-NAIL *
 x2 Plastic Nail
 x2 Clou
 x2 Clavo



RC-ANTI-TIP *
 x1 Anti-tipping Restraint
 x1 Liste des pièces de quincaillerie antibasculement
 x1 Lista del kit de materiales antivuelco

*Replaceable Part