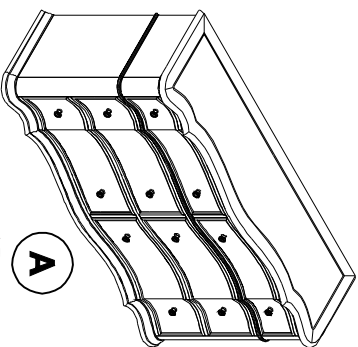


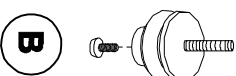
PARTS LIST / LISTE DES PIÈCES / LISTA DE PIEZAS
ITEM NO./ARTICLE NO./ARTICULO NO: P293100/ P293110

DESCRIPTION/ LA DESCRIPTION/ DESCRIPCIÓN: Dresser/ Commode/ Tocador
Mirror/ Miroir/ Espejo

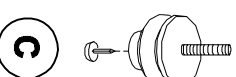
⚠ WARNING
 <p>Children have died from furniture tipover. To reduce the risk of furniture tipover:</p> <ul style="list-style-type: none"> • ALWAYS install tipover restraint provided. • NEVER put a TV on this product. • NEVER allow children to stand, climb or hang on drawers, doors, or shelves. • NEVER open more than one drawer at a time. • Place heaviest items in the lowest drawers.
 <p>This is a permanent label. Do not remove!</p>



- x1 Dresser
- x1 Commode
- x1 Tocador



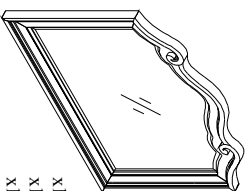
- x2 Bun Foot (Front) *
- x2 Pied en forme d'ognon (Avant)
- x2 Pata redonda (Delantera)



- x2 Bun Foot (Back) *
- x2 Pied en forme d'ognon (Arrière)
- x2 Pata redonda (Trasera)



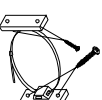
- x1 Center leg *
- x1 Pattes centrales
- x1 Patas centrales



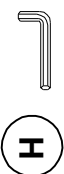
- x1 Landscape Mirror
- x1 Miroir horizontal
- x1 Espejo horizontal



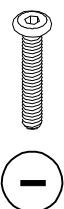
- x2 Mirror Support *
- x2 Supporte de miroir
- x2 Soporte del espejo



- x1 Tipping restraint *
- x1 Liste des pièces de quincaillerie antihascèlement
- x1 Abrazadera antivuelco



- x1 Allen Key 4mm *
- x1 Clé hexagonale 4mm
- x1 Llave Allen 4mm



- x8 Allen bolt Ø1/4" x 1-1/2" *
- x8 Vis à tête creuse hexagonale Ø1/4" x 1-1/2
- x8 Perno Allen Ø1/4" x 1-1/2

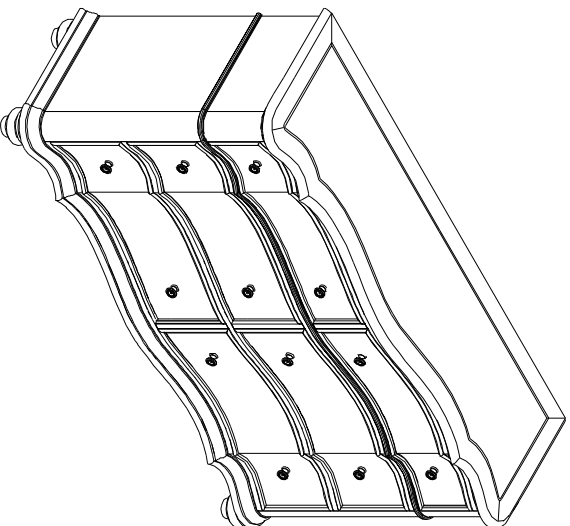


- x8 Lock washer Ø1/4" x Ø12*3mm *
- x8 Rondelle de blocage Ø1/4" x Ø12*3mm
- x8 Arandela de Seguridad Ø1/4" x Ø12*3mm



- x8 Flat Washer Ø1/4" x 19x2mm *
- x8 Rondelle plate Ø1/4" x 19x2mm
- x8 Arandela plana Ø1/4" x 19x2mm

* Replaceable Part





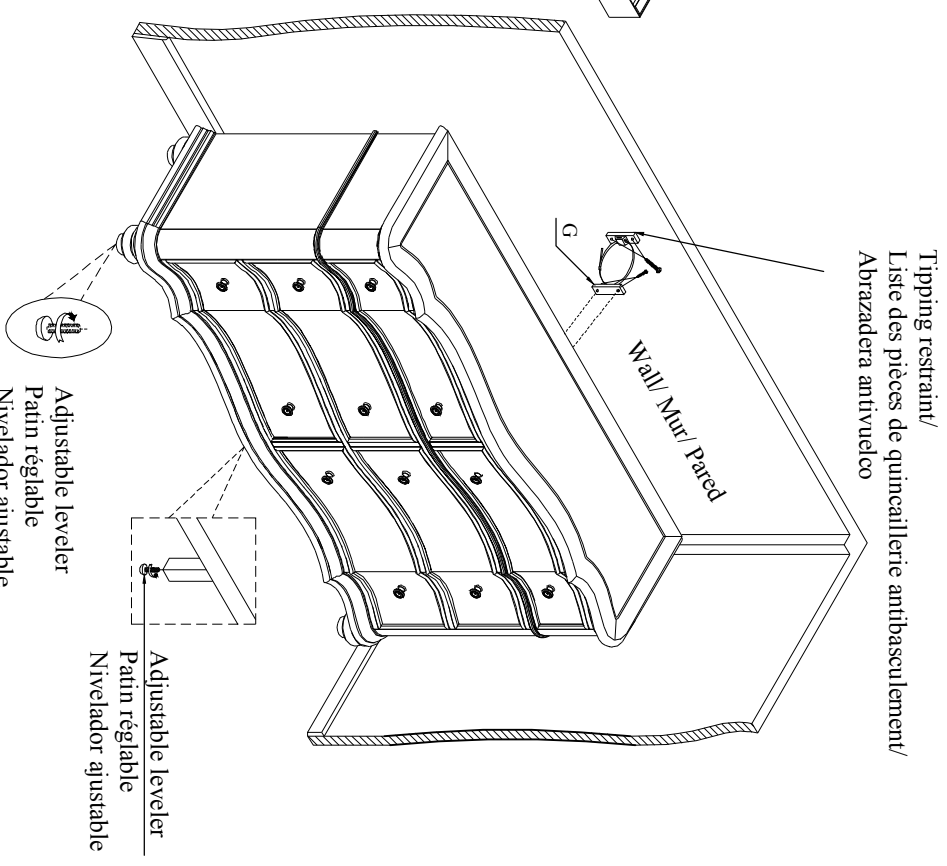
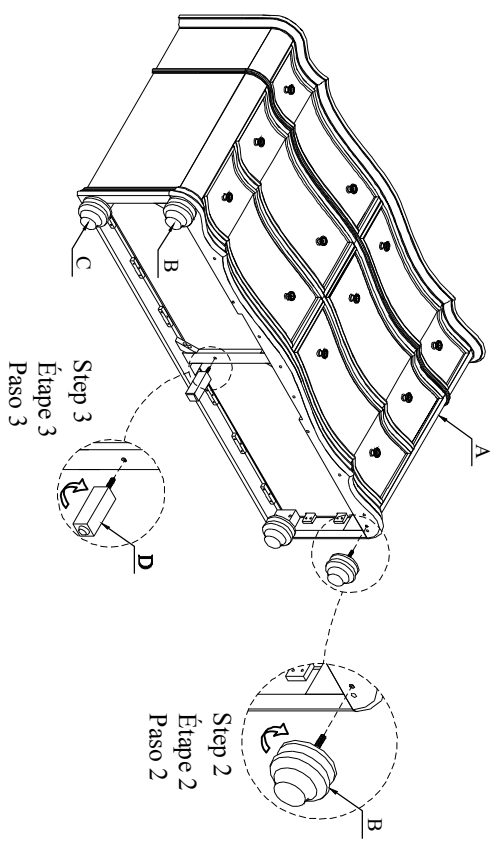
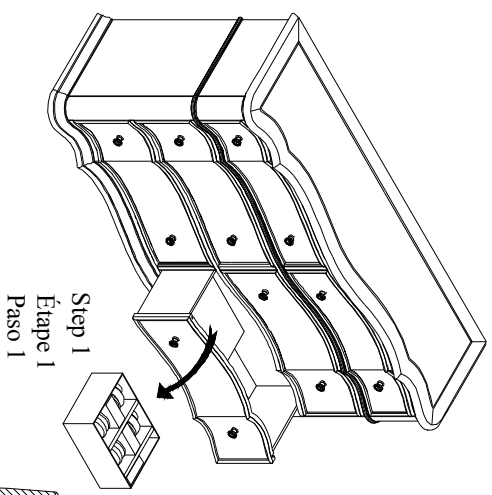
ASSEMBLY INSTRUCTIONS/ NOTICE DE MONTAGE/ INSTRUCCIONES DE MONTAJE
ITEM NO./ARTICLE NO./ARTICULONNO: P293100/ P293110
DESCRIPTION/ LA DESCRIPTION/ DESCRIPCIÓN: Dresser/ Commode/ Tocador
Mirror/ Miroir/ Espejo

⚠ WARNING

Children have died from furniture tipover. To reduce the risk of furniture tipover :

- ALWAYS install tipover restraint provided.
- NEVER put a TV on this product.
- NEVER allow children to stand, climb or hang on drawers, doors, or shelves.
- NEVER open more than one drawer at a time.
- Place heaviest items in the lowest drawers.

This is a permanent label. Do not remove!

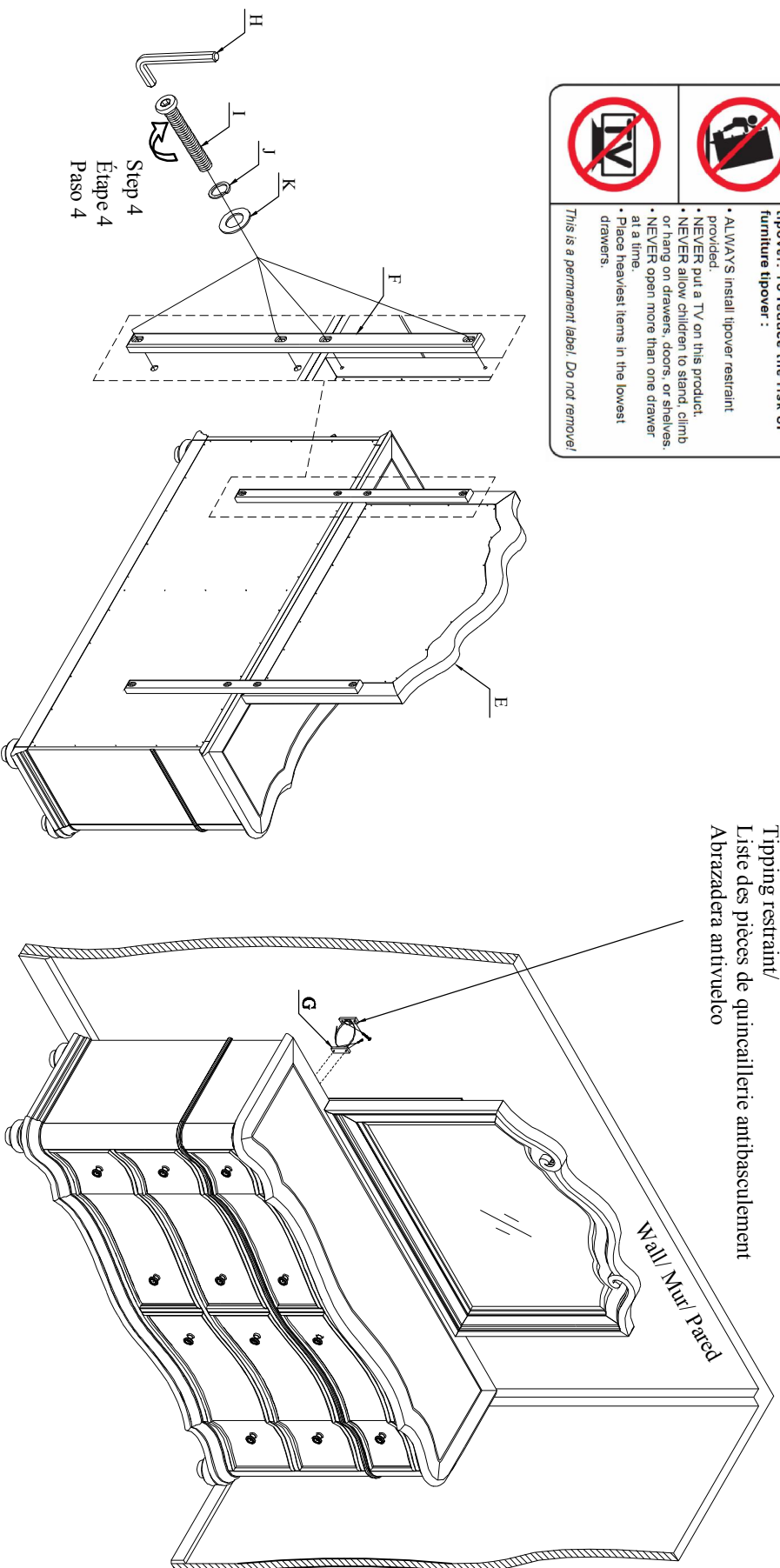


*Replaceable Part

ASSEMBLY INSTRUCTIONS/ NOTICE DE MONTAGE/ INSTRUCCIONES DE MONTAJE
ITEM NO./ARTICLE NO./ARTICULONNO: P293100/ P293110
DESCRIPTION/ LA DESCRIPTION/ DESCRIPCIÓN: Dresser/ Commode/ Tocado
Mirror/ Miroir/ Espejo

⚠ WARNING	<p>Children have died from furniture tipover. To reduce the risk of furniture tipover:</p> <ul style="list-style-type: none"> • ALWAYS install tipover restraint provided. • NEVER put a TV on this product. • NEVER allow children to stand, climb or hang on drawers, doors, or shelves. • NEVER open more than one drawer at a time. • Place heaviest items in the lowest drawers. <p><i>This is a permanent label. Do not remove!</i></p>
	

Tipping restraint/
 Liste des pièces de quincaillerie antibasculement
 Abrazadera antivuelco



Step 4
 Étape 4
 Paso 4

*Replaceable Part

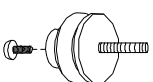
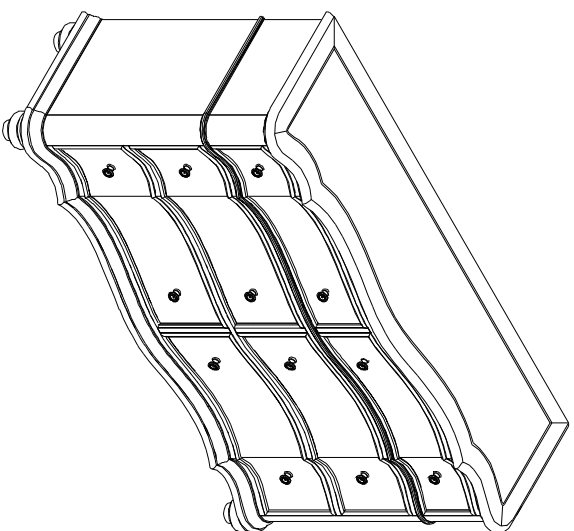
REPLACEABLE PART / PARTIE REMPLAÇABLE / PARTE REMPLAZABLE
ITEM NO./ARTICLE NO./ARTICULO NO: P293100/P293110
DESCRIPTION/ LA DESCRIPTION/ DESCRIPCIÓN: Dresser/ Commode/ Tecedor
Mirror/ Miroir/ Espejo

WARNING

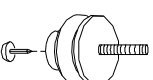
Children have died from furniture tipover. To reduce the risk of furniture tipover :

- ALWAYS install tipover restraint provided.
- NEVER put a TV on this product.
- NEVER allow children to stand, climb or hang on drawers, doors, or shelves.
- NEVER open more than one drawer at a time.
- Place heaviest items in the lowest drawers.

This is a permanent label. Do not remove!



- RP293100 FOOTF ***
 x2 Bun Foot (Front)
 x2 Pied en forme d' oignon (Avant)
 x2 Pata redonda (Delantera)



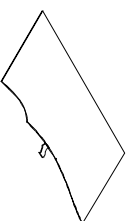
- RP293100 FOOTB ***
 x2 Bun Foot (Back)
 x2 Pied en forme d' oignon (Arrière)
 x2 Pata redonda (Trasera)



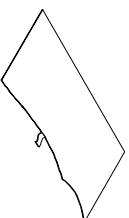
- RP293100-CELEG ***
 x1 Center Leg
 x1 Pattes centrales
 x1 Patas centrales



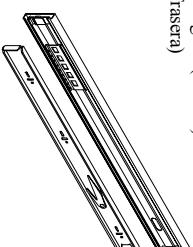
- RP293110-MISU ***
 x2 Mirror Support
 x2 Supporte de miroir
 x2 Soporite del espejo



- RP293100-FELTL ***
 x1 Left Removable Felt
 x1 Gauche Feutre
 x1 Izquierda Fieltro



- RP293100-FELTR ***
 x1 Right Removable Felt
 x1 Droite Feutre
 x1 Derecha Fieltro



- COMGLIDE-12-45 ***
 x6 Common Drawer Glide
 x6 Glissière
 x6 Carril de deslizamiento



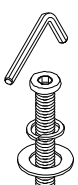
- RP293-KNOBL ***
 x12 Large Knob with Screw
 x12 Gros POIGNÉE et vis
 x12 TIRADOR grande y Tornillo



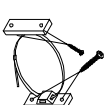
- RC-FG-WHITE ***
 x3 Common Adjustable Leveler
 x3 Patin réglable
 x3 Nivelador ajustable



- RC-WH-NAIL ***
 x2 Plastic Nail
 x2 Clou
 x2 Clavo



- RP293110-HWKIT ***
 x1 Hardware Kit
 x1 Liste des pièces de quincaillerie
 x1 Lista del kit de materiales



- RC-ANTI-TIP ***
 x1 Anti-tipping Restraint
 x1 Liste des pièces de quincaillerie antibasculément
 x1 Lista del kit de materiales antivuelco

*Replaceable Part