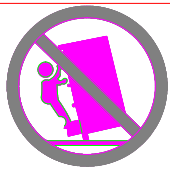


PARTS LIST / LISTE DES PIÈCES / LISTA DE PIEZAS
ITEM NO. / ARTICLE NO. / ARTICULO NO. : P167100 / 110
DESCRIPTION / DESCRIPCIÓN : DRESSER / COMMODE / TOCADOR
MIRROR / MIROIR / ESPEJO

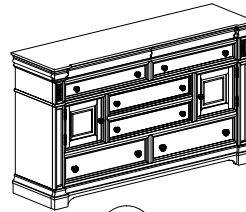
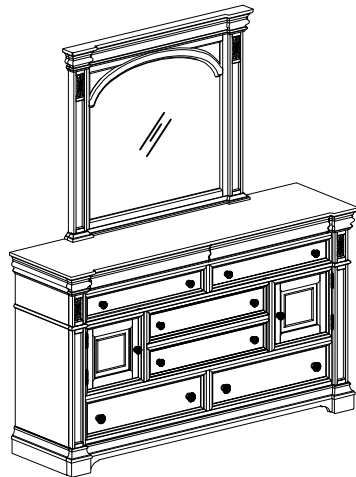
▲ WARNING



Serious or fatal crushing injuries can occur from furniture tip-over. To help prevent tip-over:

- install tipover restraint provided.
- Place heaviest items in the lowest drawers.
- Do not set TV's or other heavy objects on top of this product unless the product is specifically designed to accommodate them.
- Never allow children to climb or hang on drawers, doors, or shelves.
- Never open more than one drawers at a time (OR)
- Do not defeat or remove the drawers interlock system.

Use of tip-over restraints may only reduce, but not eliminate, the risk of tip-over. this is a permanent label. Do not remove!



A

x1 Dresser
x1 Commode
x1 Tocador



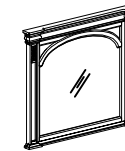
B

x1 Furniture Tipping Restraint
x1 Systeme antibasculement
x1 Control para evitar volcos



C

x2 Mirror Support *
x2 Supporte de miroir
x2 Soporte del espejo



D

x1 Mirror
x1 Miroir
x1 Espejo



E

x8 Allen Bolt Ø1/4" x 40mm *
x8 Vis à tête creuse hexagonale Ø1/4 " x 40mm
x8 Perno Allen Ø1/4 " x 40mm



F

x8 Lock Washer Ø1/4" *
x8 Rondelle de blocage Ø1/4 "
x8 Arandela de seguridad Ø1/4 "



G

x8 Flat Washer Ø1/4" *
x8 Rondelle de plate Ø1/4 "
x8 Arandela plana Ø1/4 "

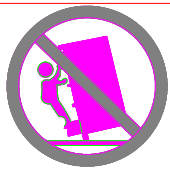


H

x1 Allen Key 4mm *
x1 Clé hexagonale 4mm
x1 Llave allen 4mm

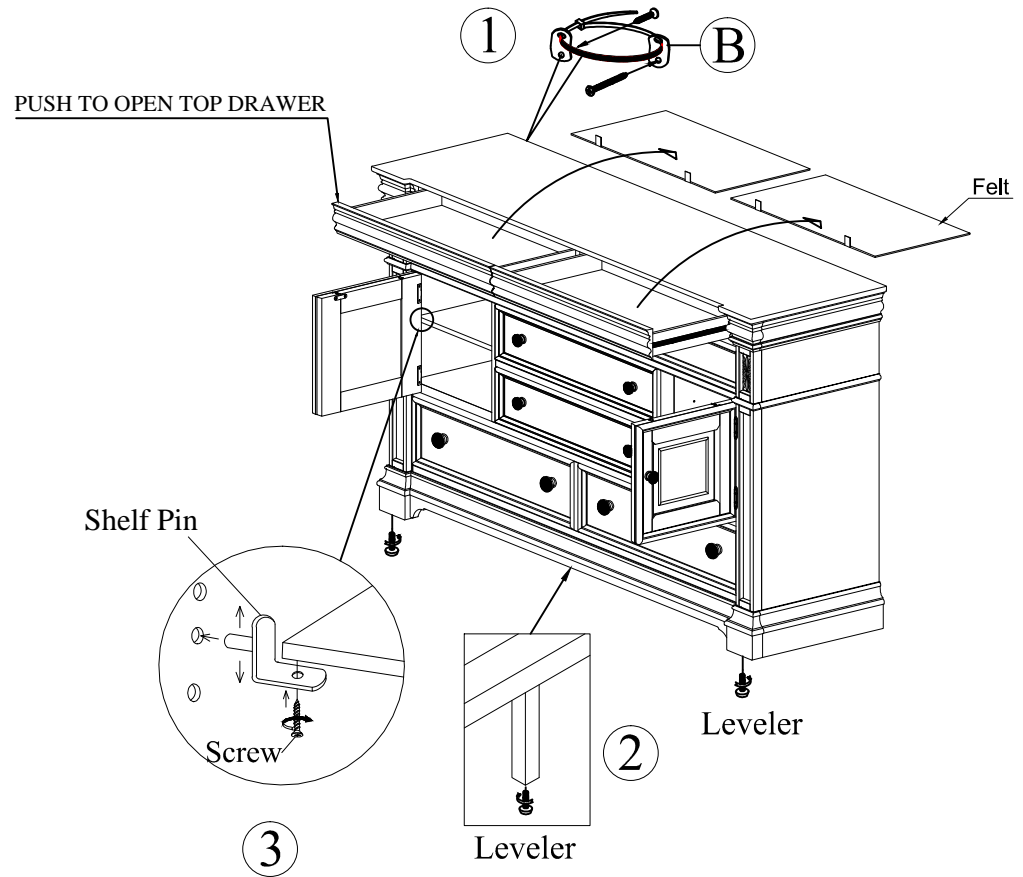
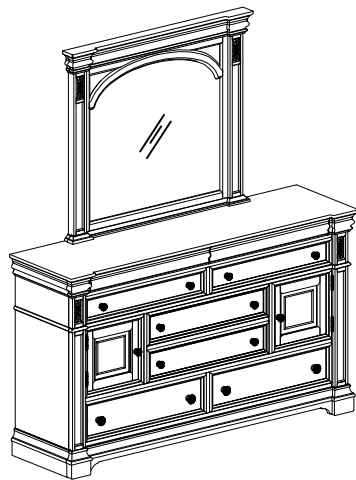
* Replaceable Part

▲ WARNING

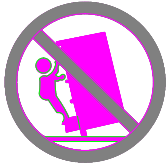


Serious or fatal crushing injuries can occur from furniture tip-over. To help prevent tip-over:

- install tipover restraint provided.
 - Place heaviest items in the lowest drawers.
 - Do not set TV's or other heavy objects on top of this product unless the product is specifically designed to accommodate them.
 - Never allow children to climb or hang on drawers, doors, or shelves.
 - Never open more than one drawers at a time (OR)
 - Do not defeat or remove the drawers interlock system.
- Use of tip-over restraints may only reduce, but not eliminate, the risk of tip-over. this is a permanent label. Do not remove!



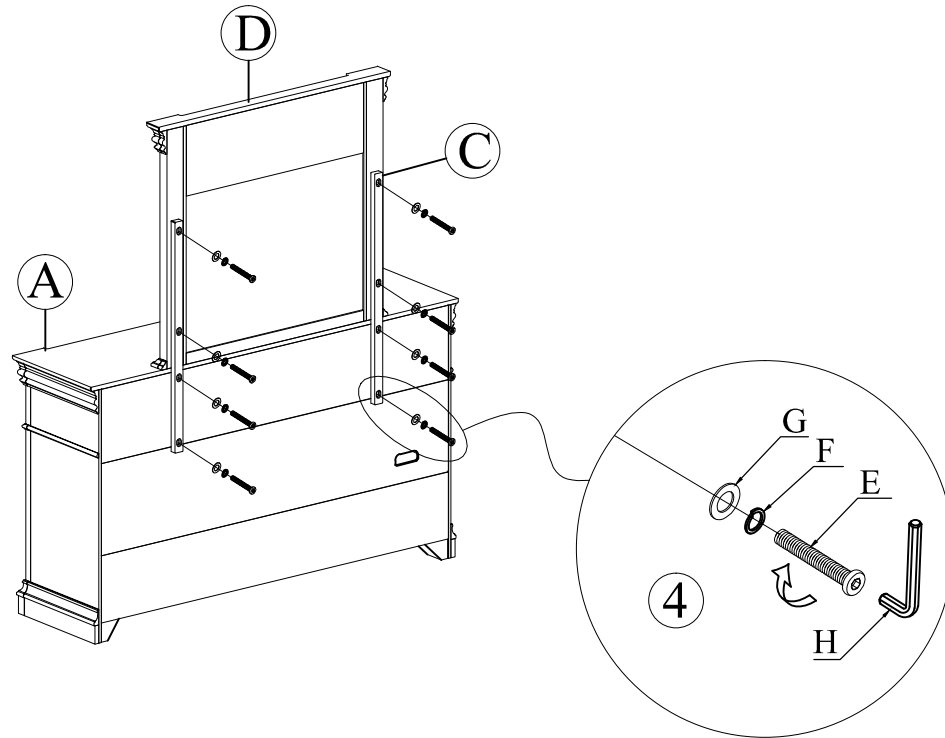
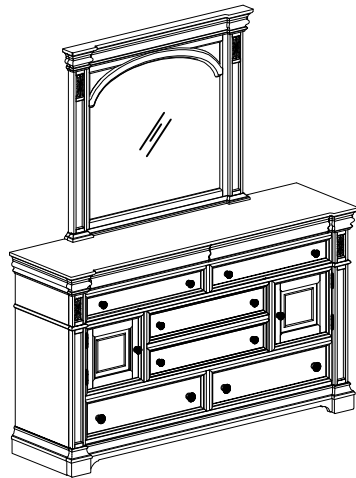
▲ WARNING



Serious or fatal crushing injuries can occur from furniture tip-over. To help prevent tip-over:

- install tipover restraint provided.
- Place heaviest items in the lowest drawers.
- Do not set TV's or other heavy objects on top of this product unless the product is specifically designed to accommodate them.
- Never allow children to climb or hang on drawers, doors, or shelves.
- Never open more than one drawers at a time (OR)
- Do not defeat or remove the drawers interlock system.

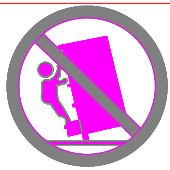
Use of tip-over restraints may only reduce, but not eliminate, the risk of tip-over. this is a permanent label. Do not remove!





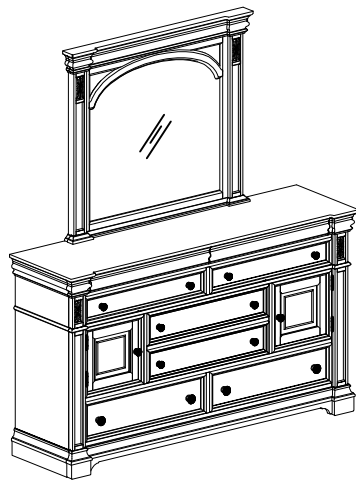
REPLACEABLE PART / PARTIE REMPLACABLE / PARTE REEMPLAZABLE
 ITEM NO. / ARTICLE NO. / ARTICULO NO. : P167100 / 110
 DESCRIPTION / DESCRIPCIÓN : DRESSER / COMMODE / TOCADOR
 MIRROR / MIROIR / ESPEJO

WARNING



Serious or fatal crushing injuries can occur from furniture tip-over. To help prevent tip-over:

- install tipover restraint provided.
 - Place heaviest items in the lowest drawers.
 - Do not set TV's or other heavy objects on top of this product unless the product is specifically designed to accommodate them.
 - Never allow children to climb or hang on drawers, doors, or shelves.
 - Never open more than one drawers at a time (OR)
 - Do not defeat or remove the drawers interlock system.
- Use of tip-over restraints may only reduce, but not eliminate, the risk of tip-over. This is a permanent label. Do not remove!



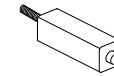
x10 RP167-100 SKNOB
 Small Knob with screw *
 Poignée et vis
 Tirador y Tornillo



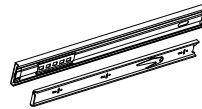
x4 RP167-100 BKNOB
 Big Knob with screw *
 Poignée et vis
 Tirador y Tornillo



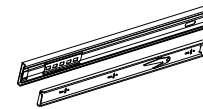
x3 RC-FG-Brown
 Brown Leveler *
 Patin réglable
 Nivelador



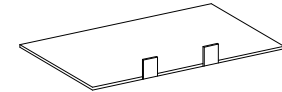
x1 RP167100-CELEG
 Center Leg Support *
 Support central
 Soporte para la pata central



x2 COMGLIDE-12-45-A
 Auto Common Glide 12 inch 45 mm *
 Glissière
 Carril de deslizamiento



x6 COMGLIDE-12-45
 Common Glide 12 inch 45 mm *
 Glissière
 Carril de deslizamiento



x2 RP167-100-FELT
 Removable Felt *
 Feutre
 Fieltro



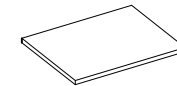
x4 RP167100-CLIP
 Shelf Clip *
 Supports Pour Tablette
 Soporte De Las Repisas



x4 RP167100-HINGE
 Door Hinge *
 Charnière de porte
 Bisagra de la puerta



x2 RP167100-CATCH
 Door Catch *
 Catch de aimant
 Captura de imán



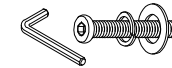
x1 RP67100-SHELF
 Wood Shelf *
 étagère
 estante



x2 RP167-110-MISU
 Mirror Support *
 Supporte de miroir
 Soporte del espejo



x2 RC-BR-NAIL
 Brown Plastic Nail *
 Clou en plastique
 Clavo de plástico



x1 RP167-110-HWKIT
 Hardware Kit *
 Kit de matériel
 Kit de hardware

* Replaceable Part