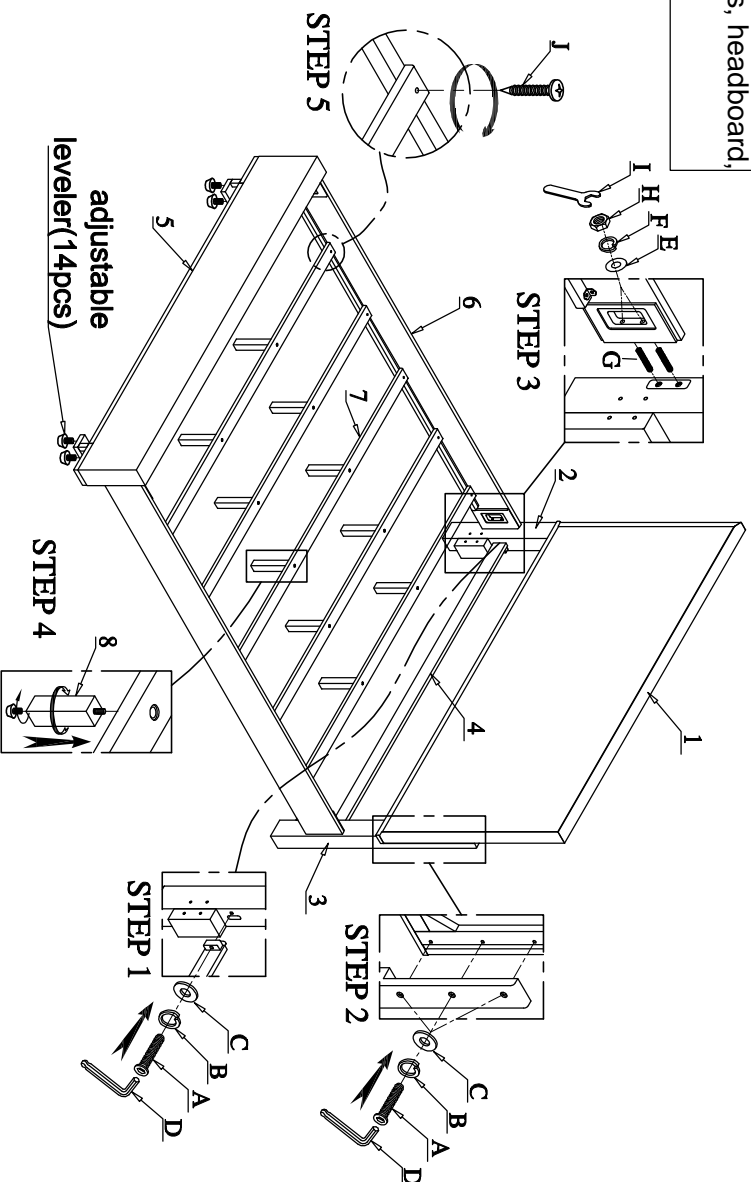


**ASSEMBLY INSTRUCTION**

Model: 210-P077160: 6/6-6/0 Panel Bed Headboard  
 210-P077161 : 6/6-6/0 Panel Bed FB & Slats  
 210-P077152 : 5/0-6/6 Set of Side Rails  
 210-P077167 : 6/0 Set of Side Rails

Thank you for purchasing this quality product. Be sure to check all packing material carefully for small Hardware which may come loose inside the carton during shipment. Identify and count all hardware and compare with the hardware list below.

**CAUTION:** Do not attempt to move the bed when fully assembled. This could result in damage to the rails, headboard, or footboard.



COMPONENT LIST	
1	HEADBOARD 1Pc
2	HEADBOARD POST LEFT LEG 1Pc
3	HEADBOARD POST RIGHT LEG 1Pc
4	HEADBOARD BOTTOM RAIL 1Pc
5	FOOTBOARD 1Pc
6	SIDE RAIL 2Pcs
7	SLAT 5Pcs
8	SLAT SUPPORT 10Pcs

HARDWARE LIST OF HEADBOARD		
No.	Description	Qty
A	Φ5/16"×2" Bolt 8Pcs	
B	Φ5/16" Lock washer 8Pcs	
C	Φ5/16"×19×2mm Flat washer 8Pcs	
D	Φ5/16" Allen Wrench 1Pc	

HARDWARE LIST OF BED RAILS		
No.	Description	Qty
E	Φ5/16"×16mm Flat washer 8Pcs	
F	Φ5/16" Lock washer 8Pcs	
G	Φ5/16"×3-1/2" Hanger Bolt 8Pcs	
H	Φ5/16" Nut 8Pcs	
I	Φ5/16" Open Wrench 1Pc	
J	#8×1" Screw 10Pcs	