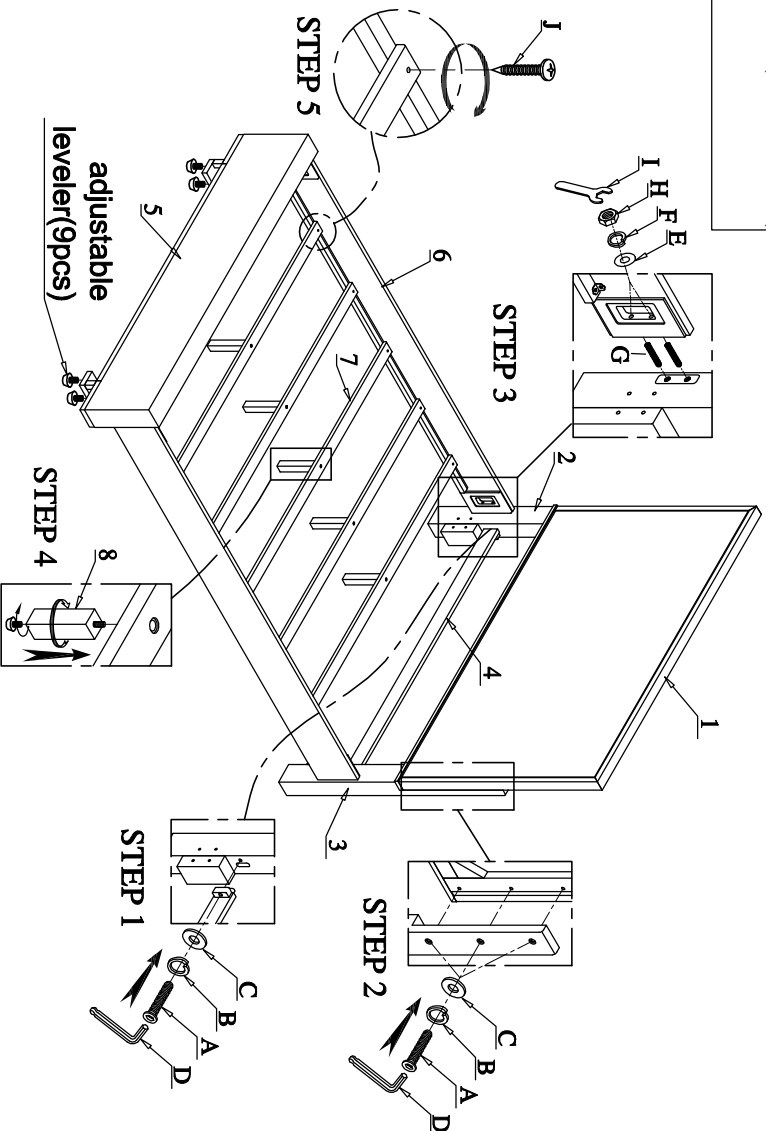


ASSEMBLY INSTRUCTION

Model: 210-P077150 : 5/0 Panel Bed Headboard
 210-P077151 : 5/0 Panel Bed Footboard & Slats
 210-P077152 : 5/0-6/6 Set of Side Rails

Thank you for purchasing this quality product. Be sure to check all packing material carefully for small Hardware which may come loose inside the carton during shipment. Identify and count all hardware and compare with the hardware list below.

CAUTION: Do not attempt to move the bed when fully assembled. This could result in damage to the rails, headboard, or footboard.



COMPONENT LIST		
1	HEADBOARD	1Pc
2	HEADBOARD POST LEFT LEG	1Pc
3	HEADBOARD POST RIGHT LEG	1Pc
4	HEADBOARD BOTTOM RAIL	1Pc
5	FOOTBOARD	1Pc
6	SIDE RAIL	2Pcs
7	SLAT	5Pcs
8	SLAT SUPPORT	5Pcs

HARDWARE LIST OF HEADBOARD			
No.	Drawing	Description	Q'ty
A		Φ5/16"×2" Bolt	8Pcs
B		Φ5/16" Lock washer	8Pcs
C		Φ5/16"×19×2mm Flat washer	8Pcs
D		Φ5/16" Allen Wrench	1Pc

HARDWARE LIST OF BED RAILS			
No.	Drawing	Description	Q'ty
E		Φ5/16"×16mm Flat washer	8Pcs
F		Φ5/16" Lock washer	8Pcs
G		Φ5/16"×3-1/2" Hanger Bolt	8Pcs
H		Φ5/16" Nut	8Pcs
I		5/16" Open Wrench	1Pc
J		#9×1" Screw	10Pcs