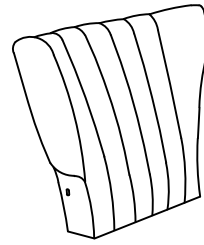
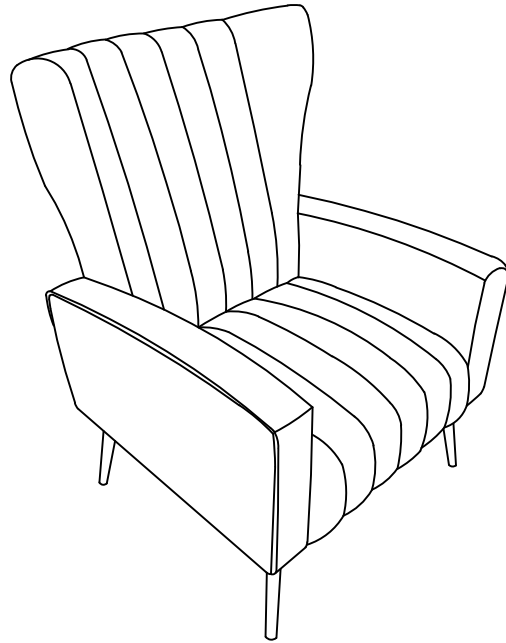




PARTS LIST / LISTE DES PIÈCES / LISTA DE PIEZAS

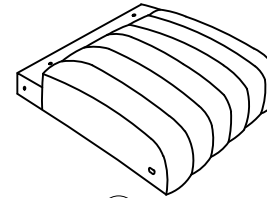
ITEM NO. / ARTICLE NO. / ARTICULO N O :DS-D668-704-1/2

DESCRIPTION / LA DESCRIPTION / DESCRIPCIÓN : ACCENT CHAIR - VELVET HARVEST/ VELVET AVOCADO  
: CHAISE D'APPOINT - RÉCOLTE DE VELOURS / VELOURS D'AVOCAT  
: SILLA DECORATIVA - COSECHA DE TERCIOPELO / AGUACATE DE TERCIOPELO



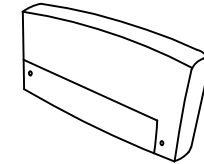
(A)

x1 Chair Back  
x1 Dossier de chaise  
x1 Respaldo de la silla



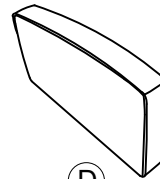
(B)

x1 Chair Seat  
x1 Siège de chaise  
x1 Asiento de la silla



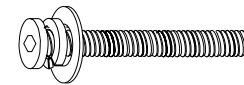
(C)

x1 Arm Left  
x1 Bras gauche  
x1 Brazo izquierdo



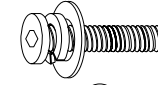
(D)

x1 Arm Right  
x1 Bras droit  
x1 Brazo derecho



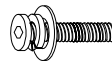
(E)

x2 Bolt M8 x 50mm \*  
x2 Boulon M8 x50mm  
x2 Perno M8 x50mm



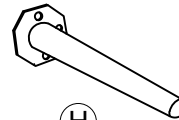
(F)

x6 Bolt M8 x 35mm \*  
x6 Boulon M8 x35mm  
x6 Perno M8 x35mm



(G)

x12 Bolt M6 x 25mm \*  
x12 Boulon M6 x 25mm  
x12 Perno M6 x 25mm



(H)

x4 Legs \*  
x4 Les jambes  
x4 Piernas



(I)

x1 Allen Key M5 \*  
x1 Clé hexagonale M5  
x1 Llave Allen M5



(J)

x1 Allen Key M4 \*  
x1 Clé hexagonale M4  
x1 Llave Allen M4

\* Replaceable Part



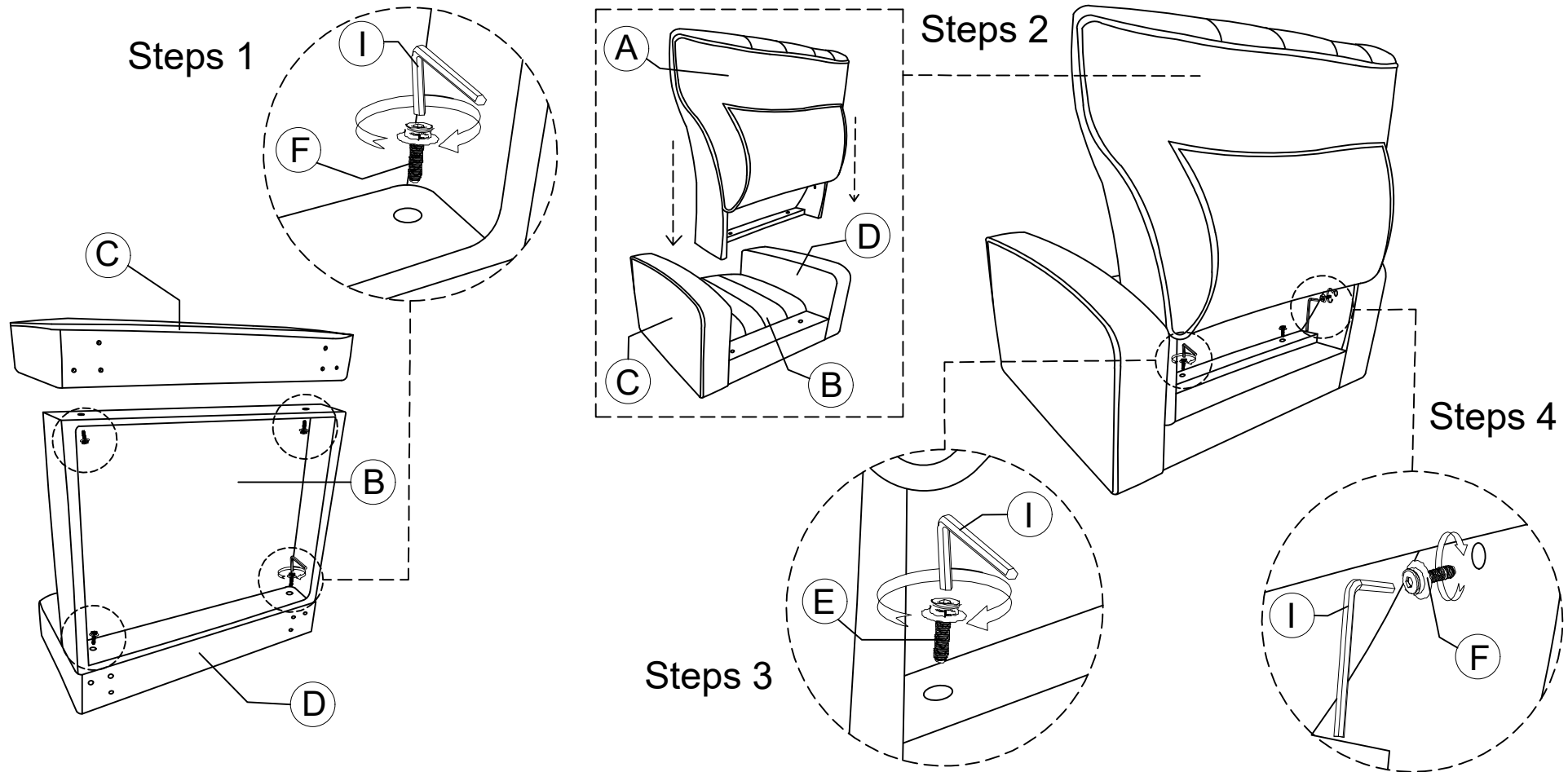
ASSEMBLY INSTRUCTION / NOTICE DE MONTAGE / INSTRUCCIONES DE MONTAJE

ITEM NO. / ARTICLE NO. / ARTICULO N O : DS-D668-704-1/2

DESCRIPTION / LA DESCRIPTION / DESCRIPCIÓN : ACCENT CHAIR - VELVET HARVEST/ VELVET AVOCADO

: CHAISE D'APPOINT - RÉCOLTE DE VELOURS / VELOURS D'AVOCAT

: SILLA DECORATIVA - COSECHA DE TERCIOPELO / AGUACATE DE TERCIOPELO



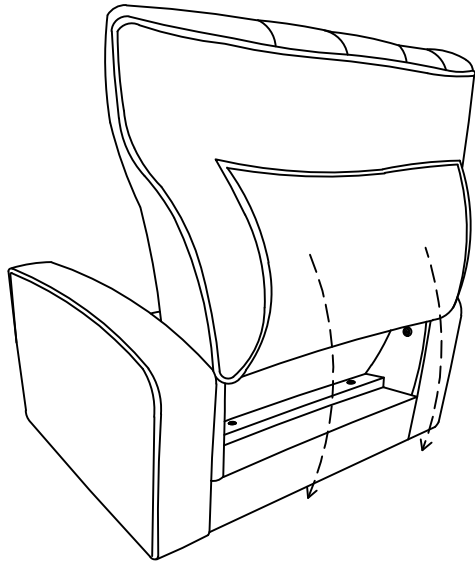
# Place The Chair On The Protective Surface.

ASSEMBLY INSTRUCTION / NOTICE DE MONTAGE / INSTRUCCIONES DE MONTAJE

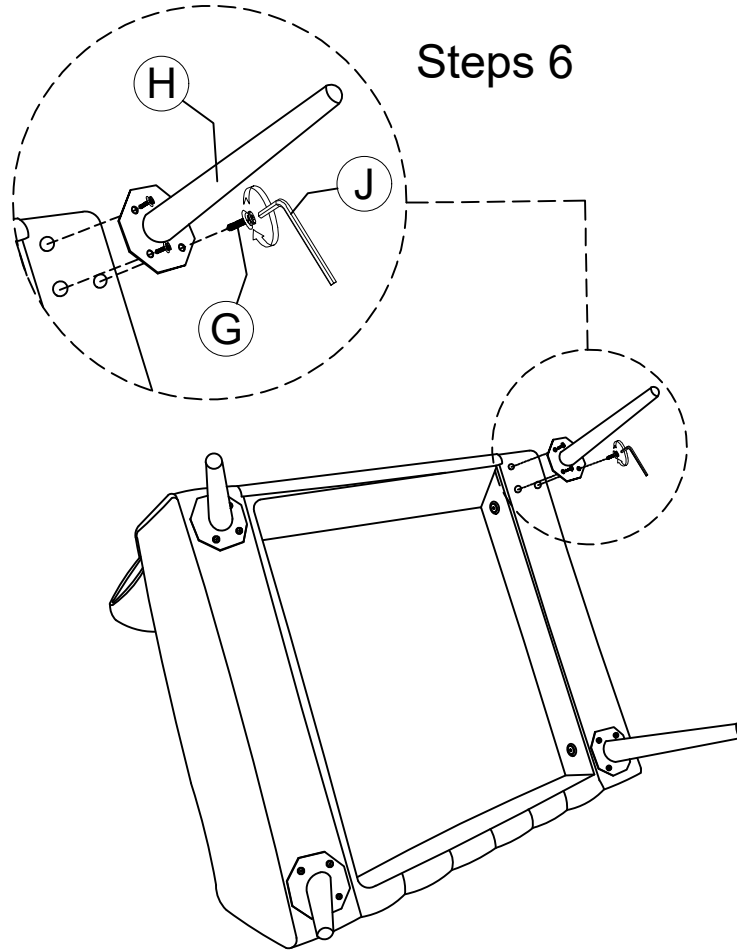
ITEM NO. / ARTICLE NO. / ARTICULO N O : DS-D668-704-1/2

DESCRIPTION / LA DESCRIPTION / DESCRIPCIÓN : ACCENT CHAIR - VELVET HARVEST/ VELVET AVOCADO  
: CHAISE D'APPOINT - RÉCOLTE DE VELOURS / VELOURS D'AVOCAT  
: SILLA DECORATIVA - COSECHA DE TERCIOPELO / AGUACATE DE TERCIOPELO

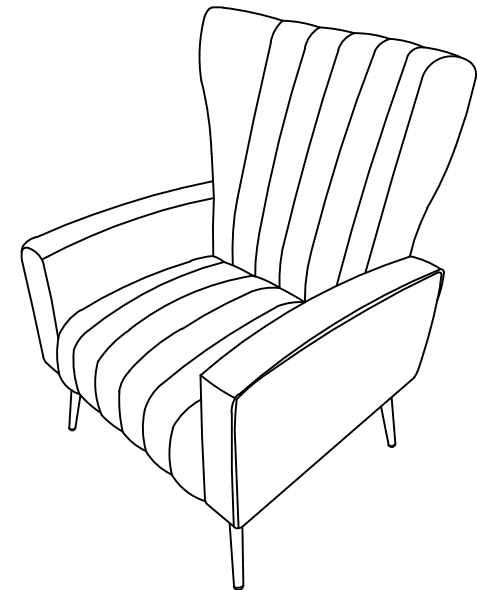
Steps 5



Steps 6



Completed



# Place The Chair On The Protective Surface.



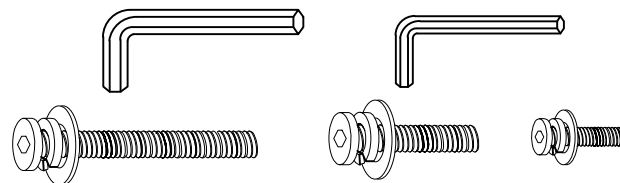
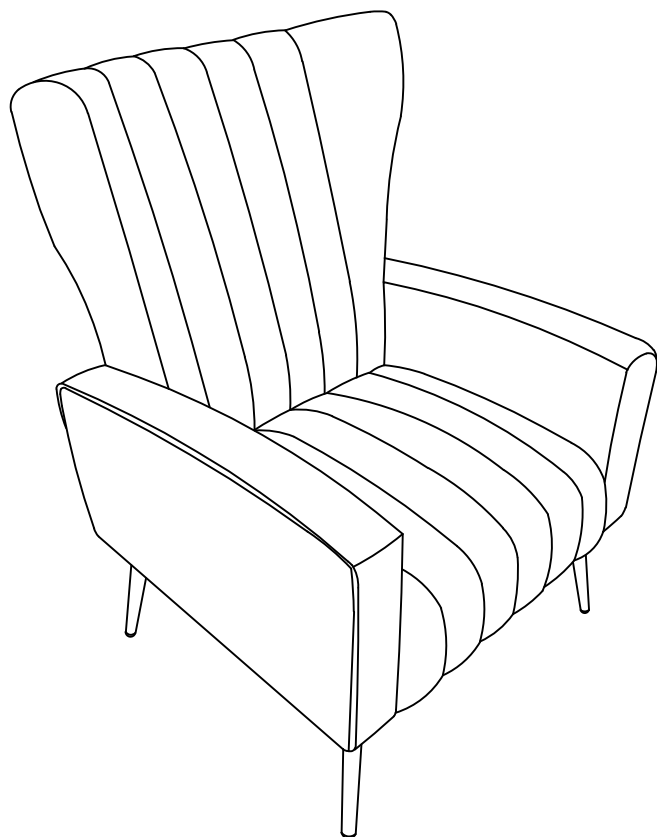
REPLACEABLE PART/ PARTIE REMPLACABLE/ PARTE REEMPLAZABLE

ITEM NO. / ARTICLE NO. / ARTICULO N O : DS-D668-704-1/2

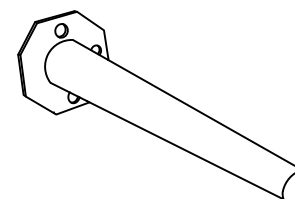
DESCRIPTION / LA DESCRIPTION / DESCRIPCIÓN : ACCENT CHAIR - VELVET HARVEST/ VELVET AVOCADO

: CHAISE D'APPOINT - RÉCOLTE DE VELOURS / VELOURS D'AVOCAT

: SILLA DECORATIVA - COSECHA DE TERCIOPELO / AGUACATE DE TERCIOPELO



x1 RD668-704-1-HWKIT - Hardware Kit \*  
Liste des pièce de quincaillerie  
Lista del kit de materiales



x4 RD668-704-1-LEG - Legs \*  
Les jambes  
Piernas

\* Replaceable Part

## **Protect Your Wood or Laminate Flooring**

\*This statement applies to any floor without carpet.

If not careful, all furniture including upholstery and case pieces can scratch, scuff and even gouge floors. The recommendation is to have felt, rubber pads or area rugs under furniture on flooring without carpet.

### **Moving your furniture**

Pushing and dragging furniture over floors without carpet can lead to scratches and scuffs. Have someone help when moving the larger pieces of furniture by lifting, try using a dolly or moving pads.

### **Felt and rubber pads**

Applying furniture pads to the feet of furniture helps cushion contact points. Furniture pads can be found at local hardware stores. Felt pads slide easily across the floor, making them ideal for dining chairs and other pieces that move with use. Rubber pads will help furniture stay in place and are perfect for larger pieces, like sofas and loveseats.

### **Area rugs and rug pads**

Using an area rug under furniture is another way to protect your floor from scratches and scuff marks. A rug pad under the area rug will provide extra cushion and added protection.