

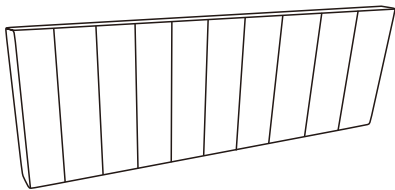
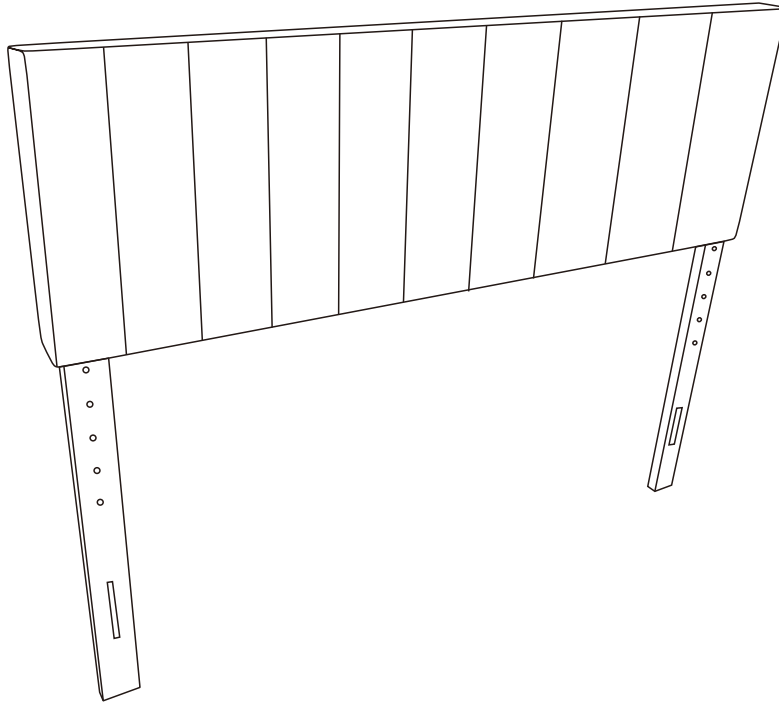
PARTS LIST / DIAGRAM

PRODUCT NAME / NUMBER(S): DS-D526SL-650

DESCRIPTION: Glenview Headboard & Bench

Tête de lit et banc Glenview

Cabecero y banco Glenview



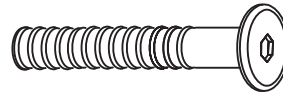
A

x1 Headboard
x1 Tête de lit
x1 Cabecera



B

x2 Leg*
x2 Patte
x2 Pata



C

x4 Allen bolt (M8 x 60mm)*
x4 Vis a tete creuse hexagonale (M8 x 60mm)
x4 Perno Allen (M8 x 60mm)



D

x4 Spring Washer M8*
x4 Rondelle à ressort M8
x4 Arandela auto-bloqueante M8



E

x4 Flat Washer M8*
x4 Rondelle Plate M8
x4 Arandela Plana M8



F

x1 Allen Wrench M5*
x1 Clé Hexagonale M5
x1 Llave Allen M5

**Replaceable Part*

PARTS LIST / DIAGRAM

PRODUCT NAME / NUMBER(S): DS-D526SL-650

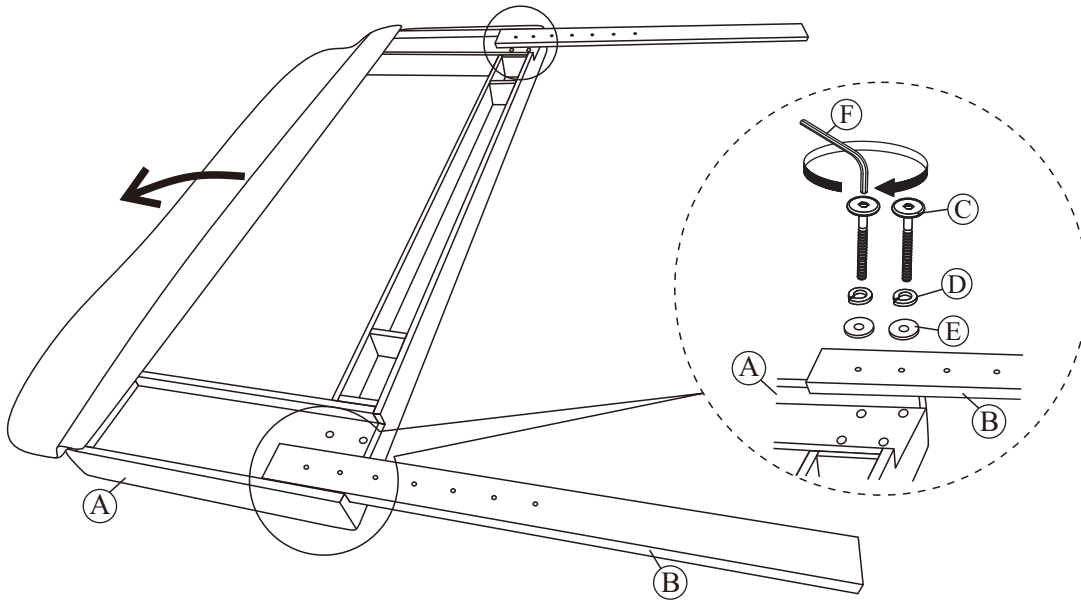
DESCRIPTION: Glenview Headboard & Bench

Tête de lit et banc Glenview

Cabecero y banco Glenview

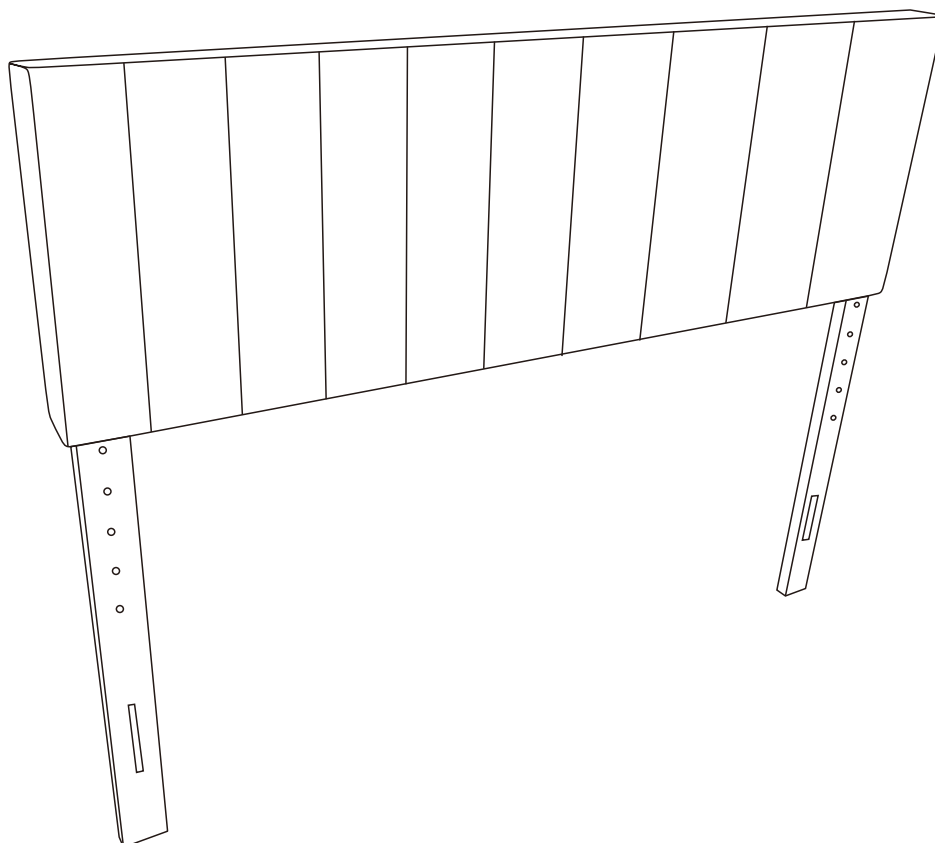
Step

1



Step

2



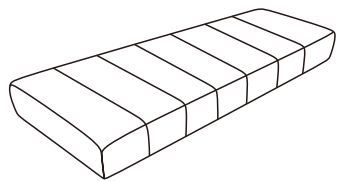
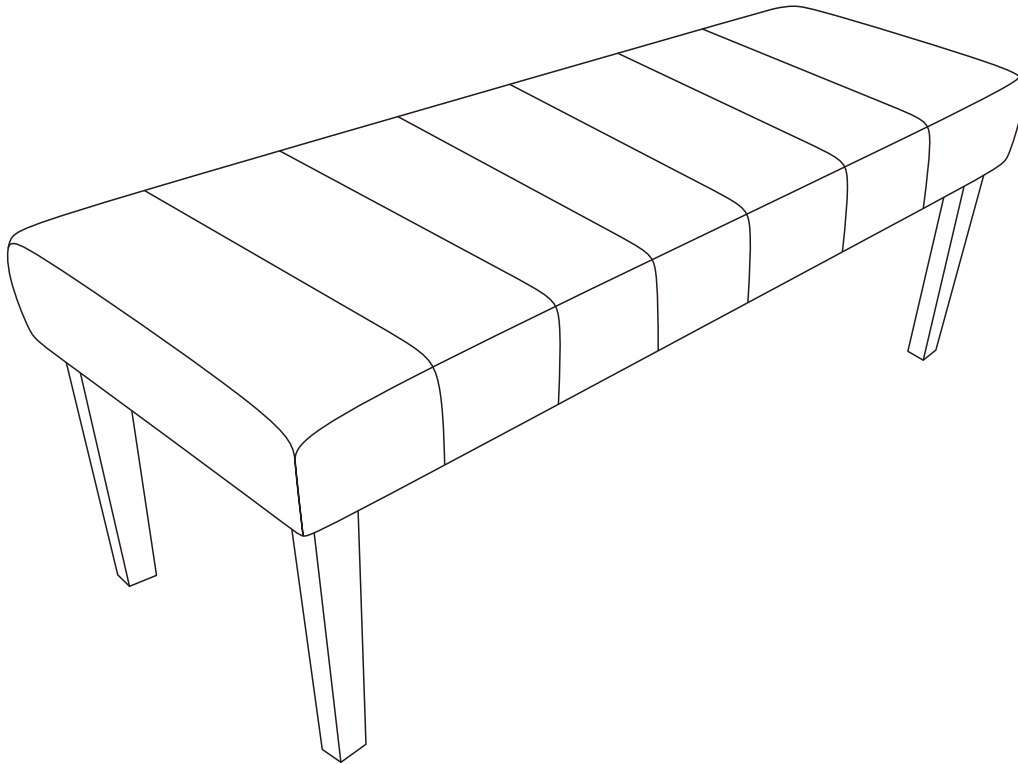
PARTS LIST / DIAGRAM

PRODUCT NAME / NUMBER(S): DS-D526SL-650

DESCRIPTION: Glenview Headboard & Bench

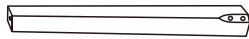
Tête de lit et banc Glenview

Cabecero y banco Glenview



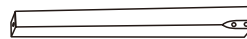
G

x1 Seat
x1 Siège
x1 Silla



H

x2 Left Leg *
x2 Patte gauche
x2 Pata izquierda



I

x2 Right Leg *
x2 Patte droite
x2 Pata derecha



C

x8 Allen bolt (M8 x 50mm) *
x8 Vis a tete creuse hexagonale (M8 x 50mm)
x8 Perno Allen (M8 x 50mm)



D

x8 Spring Washer M8 *
x8 Rondelle à ressort M8
x8 Arandela auto-bloqueante M8



E

x8 Flat Washer M8 *
x8 Rondelle Plate M8
x8 Arandela Plana M8



F

x1 Allen Wrench M5 *
x1 Clé Hexagonale M5
x1 Llave Allen M5

**Replaceable Part*

PARTS LIST / DIAGRAM

PRODUCT NAME / NUMBER(S): DS-D526SL-650

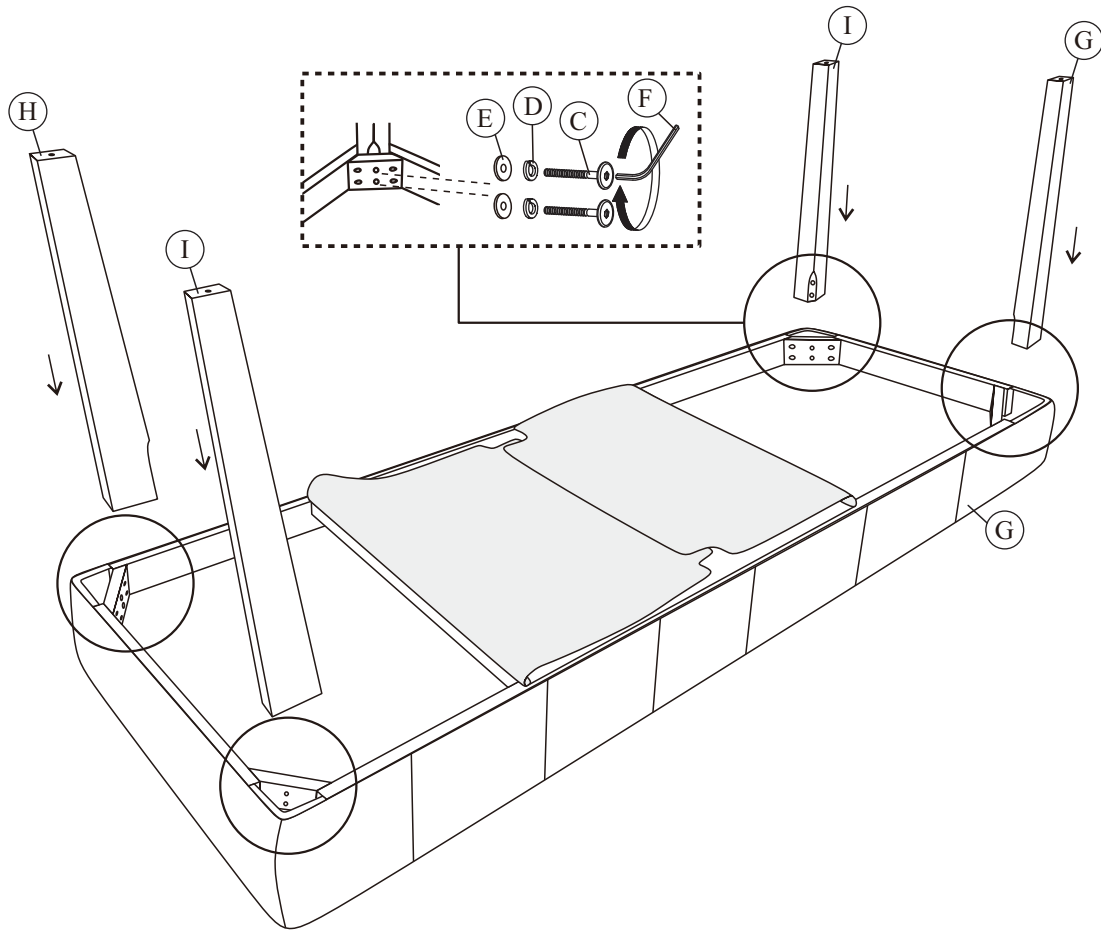
DESCRIPTION: Glenview Headboard & Bench

Tête de lit et banc Glenview

Cabecero y banco Glenview

Step

3



Finished

