

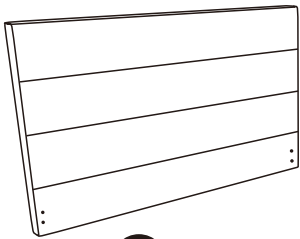
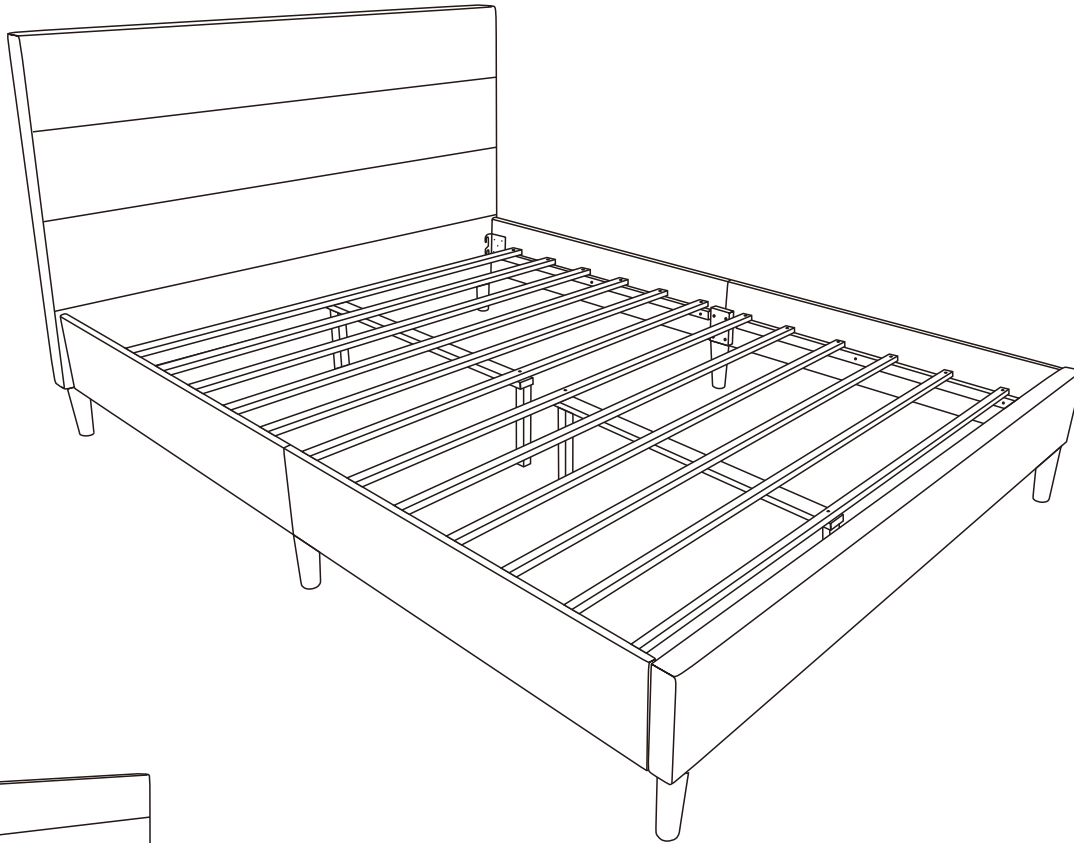
PARTS LIST / DIAGRAM

PRODUCT NAME / NUMBER(S): DS-D525SL-287

DESCRIPTION: Helena Platform Bed

Lit plateforme Helena

Cama con plataforma Helena



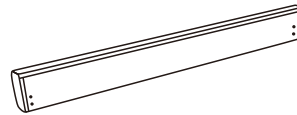
A

x1 Headboard
x1 Tête de lit
x1 Cabecera



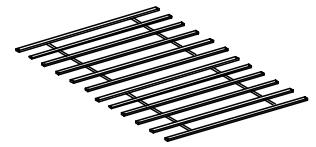
B

x2 Center support*
x2 Supports centraux
x2 Soportes centrales



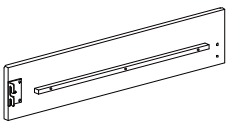
C

x1 Footboard
x1 Pied De Lit
x1 Pie DeCama



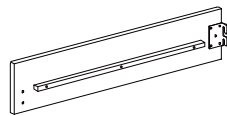
D

x2 Slats*
x2 Lattes
x2 Listones



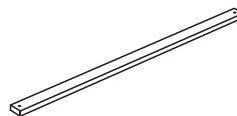
E

x2 Side rail
x2 Côtés de lit
x2 Riel lateral



F

x2 Side rail
x2 Côtés de lit
x2 Riel lateral



G

x2 Center Rail*
x2 Rail central
x2 Carril central



H

x4 Slat Support Legs*
x4 Pattes de supports
x4 Patas de apoyo de listones



I

x6 Leg*
x6 Patte
x6 Pata

**Replaceable Part*

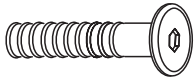
PARTS LIST / DIAGRAM

PRODUCT NAME / NUMBER(S): DS-D525SL-287

DESCRIPTION: Helena Platform Bed

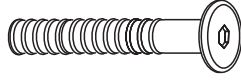
Lit plateforme Helena

Cama con plataforma Helena



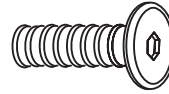
J

x8 Allen bolt (M6 x 40mm) *
x8 Vis a tete creuse hexagonale (M6 x 40mm)
x8 Perno Allen (M6 x 40mm)



K

x4 Allen bolt (M6 x 50mm) *
x4 Vis a tete creuse hexagonale (M6 x 50mm)
x4 Perno Allen (M6 x 50mm)



L

x8 Allen bolt (M8 x 25mm) *
x8 Vis a tete creuse hexagonale (M8 x 25mm)
x8 Perno Allen (M8 x 25mm)



M

x6 Plastic Washers *
x6 Rondelles en plastique
x6 Arandelas de plástico



N

x12 Spring Washer M6 *
x12 Rondelle à ressort M6
x12 Arandela auto-bloqueante M6



O

x8 Flat Washer M6 *
x8 Rondelle Plate M6
x8 Arandela Plana M6



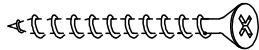
P

x1 Allen Wrench M4 *
x1 Clé Hexagonale M4
x1 Llave Allen M4



Q

x1 Allen Wrench M5 *
x1 Clé Hexagonale M5
x1 Llave Allen M5



R

x24 Screw (M4 x 32mm) *
x24 Vis (M4 x 32mm)
x24 Tornillo (M4 x 32mm)

**Replaceable Part*

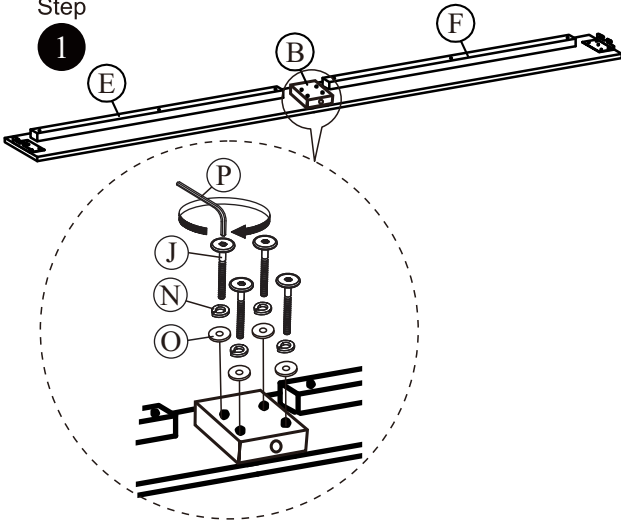
PARTS LIST / DIAGRAM

PRODUCT NAME / NUMBER(S): DS-D525SL-287

DESCRIPTION: Helena Platform Bed
Lit plateforme Helena
Cama con plataforma Helena

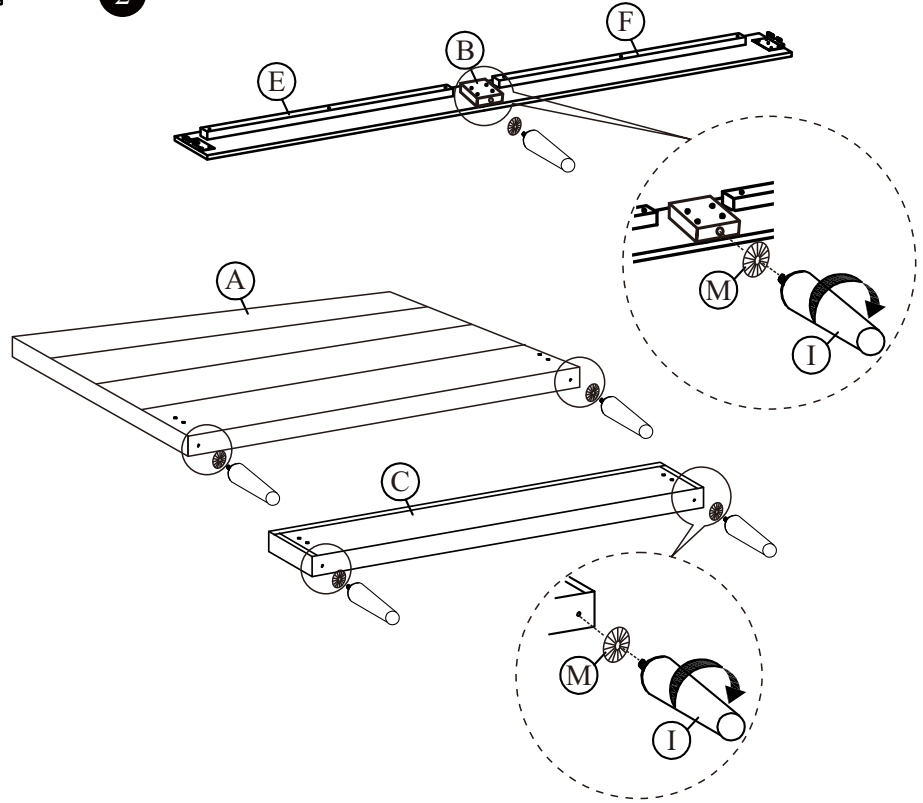
Step

1



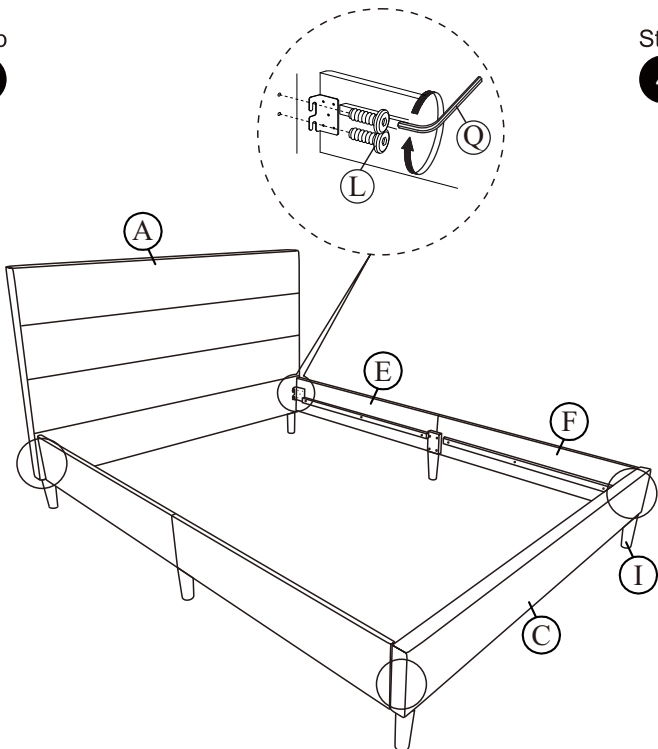
Step

2



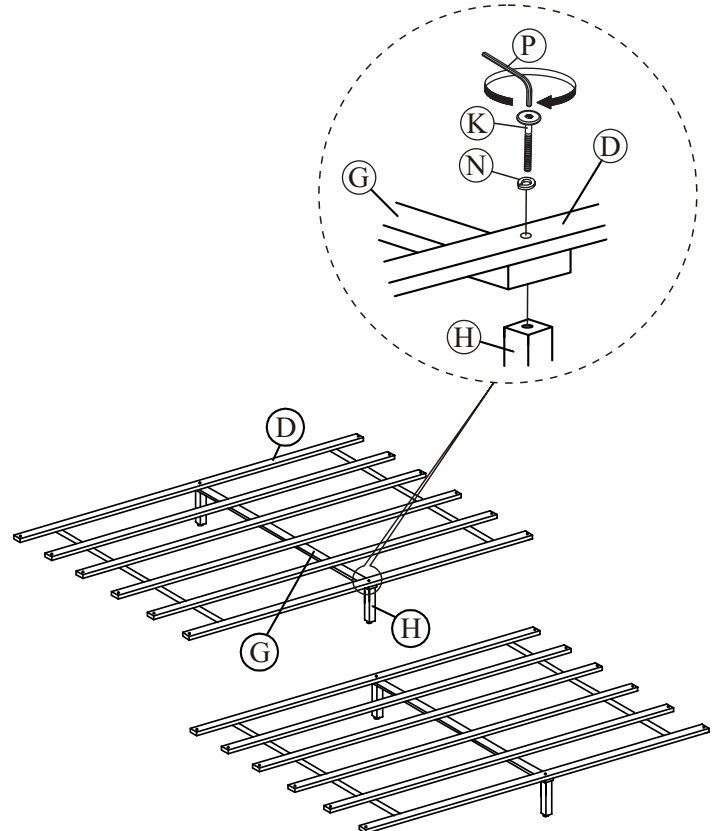
Step

3



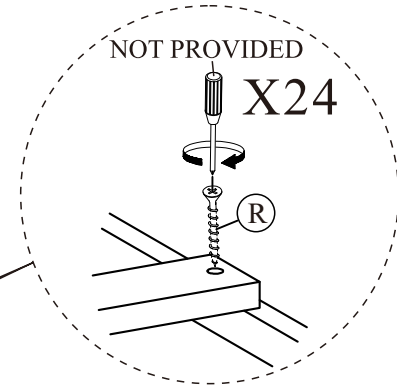
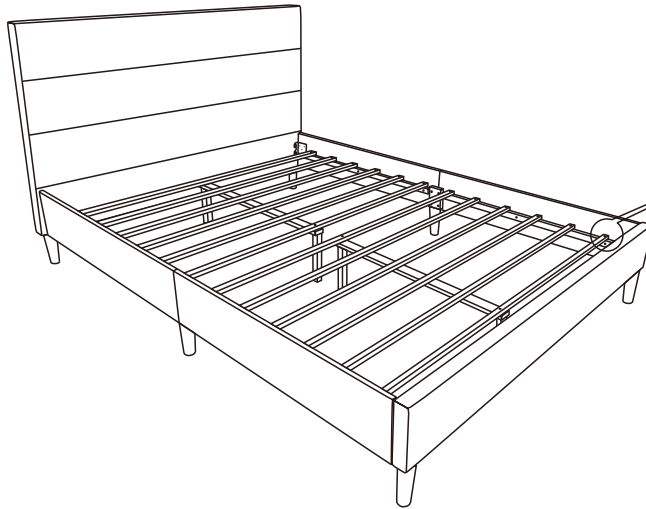
Step

4

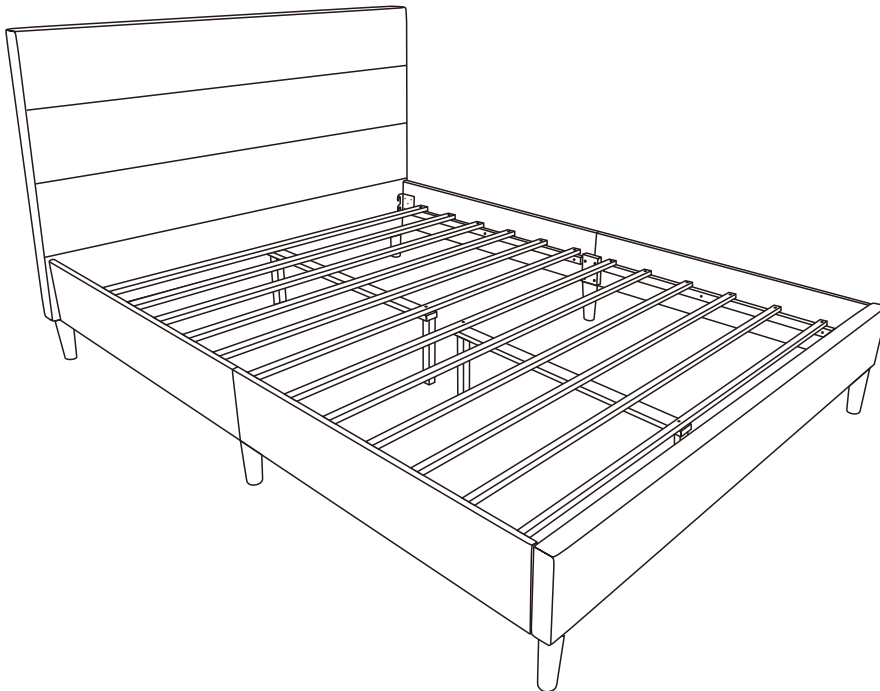


Step

5



Finished



CAUTION : Do not attempt to move the bed when fully assembled. This could result in damage to the rails, headboard or footboard.

ATTENTION : Ne pas tenter de déplacer le lit entièrement assemblé, car cela pourrait endommager les traverses, la tête de lit ou le pied de lit.

ATENCIÓN : No trate de mover la cama cuando este completamente ensamblada. Se podrían causar daños a los travesaños, la cabecera o el pie de cama.

When placing furniture on non-carpeted flooring, We recommend the use of floor protection such as an area rug or furniture pads. Area rugs and padding not included with purchase.

Avant de déposer le meuble sur un revêtement de sol rigide, We recommande de protéger en utilisant une carpeite ou des patins, par exemple. Carpeite et patins non compris.

Antes de colocar el mueble en un suelo sin alfombra, We recomiendo protegerlo con un tapete o almohadillas, por ejemplo. Tapete y almohadillas no incluidos.