



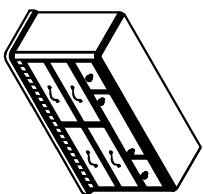
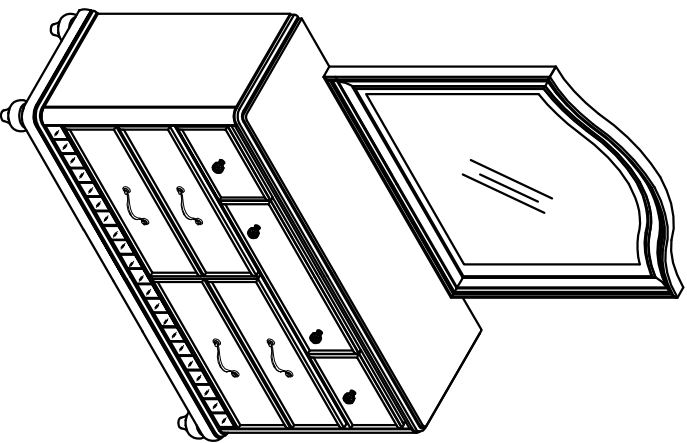
PARTS LIST / LISTE DES PIÈCES / LISTA DE PIEZAS

ITEM NO. / ARTICLE NO. / ARTICULO NO : 8874-410/430

DESCRIPTION / LA DESCRIPTION / DESCRIPCIÓN : DRESSER / COMMODE / TOCADOR

MIRROR / MIROIR / ESPEJO

A WARNING
<p>Serious or fatal crushing injuries can occur from furniture tip-over. To help prevent tip-over:</p> <ul style="list-style-type: none"> • Install tipover restraint, provided. • Place heaviest items in the lowest drawers. • Do not set TV's or other heavy objects on top of this product, unless the product is specifically designed to accommodate them. • Never allow children to climb or hang on drawers, doors, or shelves. • Never open more than one drawer at a time. (OR) • Do not defeat or remove the drawer interlock system. <p>Use of tip-over restraints may only reduce, but not eliminate, the risk of tip-over. This is a permanent label. Do not remove!</p>



A

- x1 Drawer Dresser
- x1 Commode à tiroirs
- x1 Tocador con cajones



D

- x2 Mirror Support *
- x2 Supporte de miroir
- x2 Soporte del espejo



2

- x8 Lock washer Ø1/4" *
- x8 Rondelle de blocage Ø1/4"
- x8 Arandela de Seguridad Ø1/4"



B

- x4 Bun Foot *
- x4 Pied en forme d'olignon
- x4 Pata redonda



E

- x1 Furniture Tipping Restraint *
- x1 Systeme antibasculement
- x1 Control para evitar vultcos



3

- x8 Flat Washer Ø1/4"x19x1.5mm *
- x8 Rondelle plate Ø1/4"x19x1.5mm
- x8 Arandela plana Ø1/4"x19x1.5mm



C

- x1 Landscape Mirror
- x1 Miroir horizontal
- x1 Espejo horizontal



1

- x8 Allen bolt Ø1/4"x35mm *
- x8 Vis à tête creuse hexagonale Ø1/4"x35mm
- x8 Perno Allen Ø1/4"x35mm



4

- x1 Allen Key 4mm *
- x1 Clé hexagonale 4mm
- x1 Llave Allen 4mm

*Replaceable Part



ASSEMBLY INSTRUCTIONS / INSTRUCTIONS D'ASSEMBLAGE / INSTRUCCIONES PARA EL ENSAMBLAJE

ITEM NO. / ARTICLE NO. / ARTICULO NO : 8874-410/430

DESCRIPTION / LA DESCRIPTION / DESCRIPCIÓN : DRESSER / COMMODE / TOCADOR

MIRROR / MIROIR / ESPEJO

A WARNING

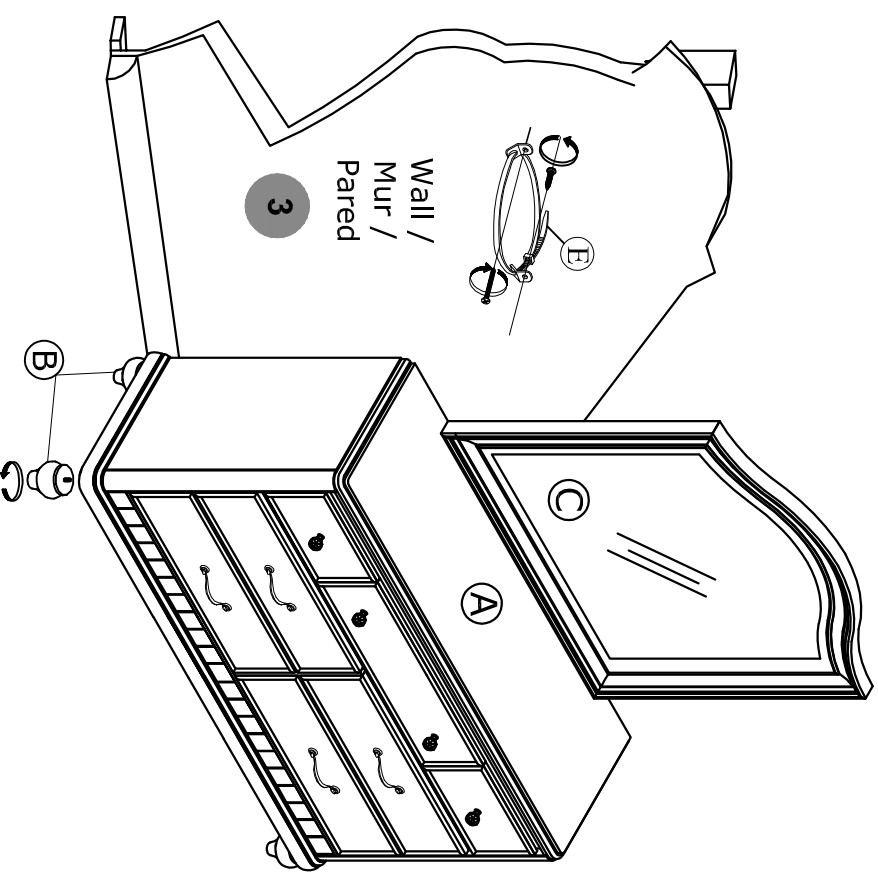
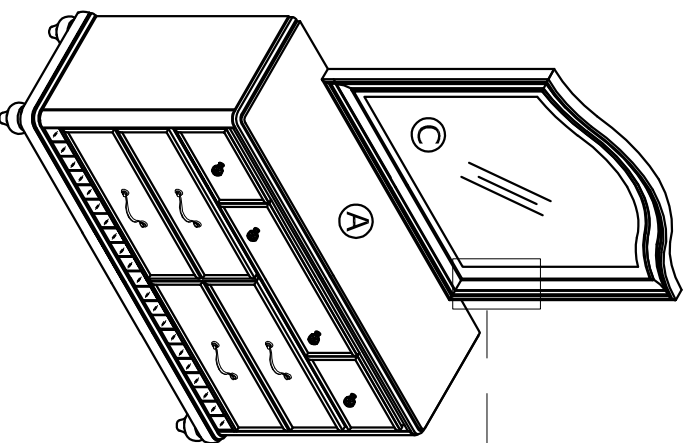
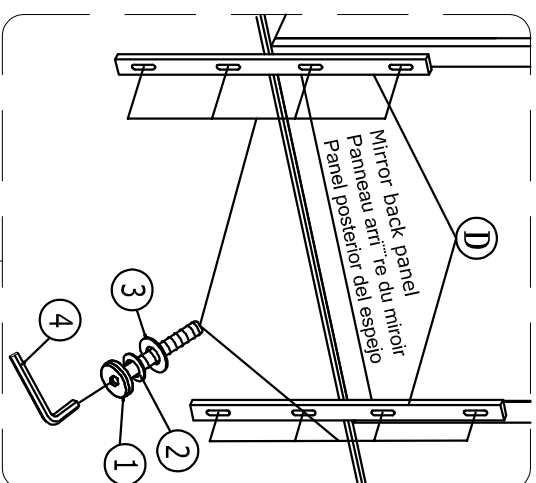
Serious or fatal crushing injuries can occur from furniture tip-over. To help prevent tip-over:



- Install tipover restraint, provided.
- Place heaviest items in the lowest drawers.
- Do not set TV's or other heavy objects on top of this product, unless the product is specifically designed to accommodate them.
- Never allow children to climb or hang on drawers, doors, or shelves.
- Never open more than one drawer at a time. (OR)
- Do not defeat or remove the drawer interlock system.

Use of tip-over restraints may only reduce, but not eliminate, the risk of tip-over.

This is a permanent label. Do not remove!



*Replaceable Part



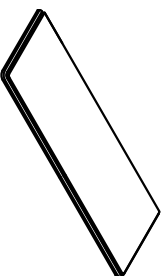
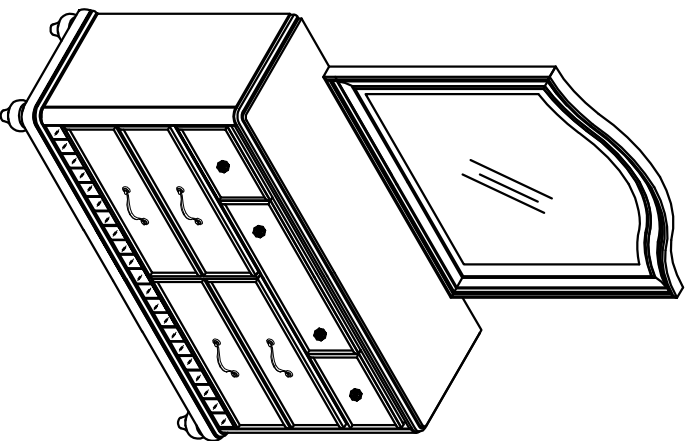
REPLACEABLE PART / PARTIE REMPLACABLE / PARTE REEMPLAZABLE

ITEM NO. / ARTICLE NO. / ARTICULO NO : 8874-410/430

DESCRIPTION / LA DESCRIPTION / DESCRIPCIÓN : DRESSER / COMMUNE / TOCADOR

MIRROR / MIROIR / ESPEJO

WARNING	
<p>Serious or fatal crushing injuries can occur from Furniture tip-over. To help prevent tip-over:</p> <ul style="list-style-type: none"> • Install tipover restraint provided. • Place heaviest items in the lowest drawers. • Do not set TV's or other heavy objects on top of this product, unless the product is specifically designed to accommodate them. • Never allow children to climb or hang on drawers, doors, or shelves. • Never open more than one drawer at a time. (OR) • Do not defeat or remove the drawer interlock system. <p>Use of tip-over restraints may only reduce, but not eliminate, the risk of tip-over.</p> <p><i>This is a permanent label. Do not remove!</i></p>	



x1 R8874-410-TOP-Dresser Top *
Dessus de la commode
Parte superior de aparador



x4 RC8874-FOOT-Bun Foot *
Pied en forme d'oignon
Pata redonda



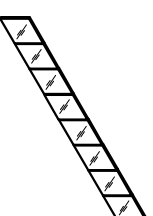
x4 RC8874-KNOB-Knob With Screw *
Poignée Et Vis
Tirador y Tornillo



x4 RC8874-PULL-Common pull *
Poignée
Tirador



x7 COMGLIDE-12-45-Drawer Glide *
Glissière
Carril de deslizamiento



x1 R8874-410-MIRROR-Mirror Insert *
Miroir décoratif
Espejo decorativo

*Replaceable Part

REPLACEABLE PART / PARTIE REMPLACABLE / PARTE REMPLAZABLE

ITEM NO. / ARTICLE NO. / ARTICULO NO : 8874-410/430

DESCRIPTION / LA DESCRIPTION / DESCRIPCIÓN : DRESSER / COMMODE / TOCADOR
MIRROR / MIROIR / ESPEJO

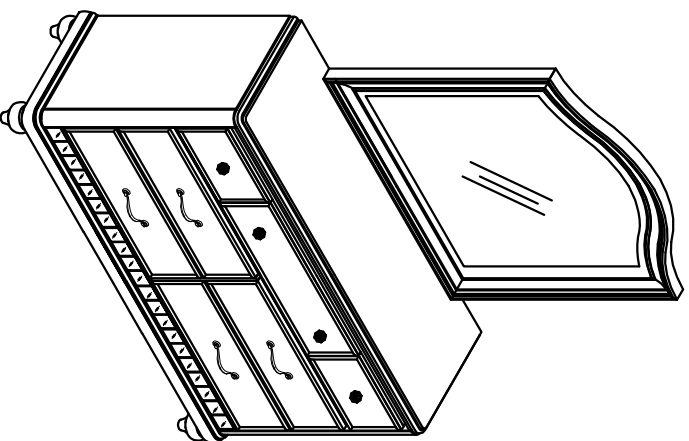
WARNING

Serious or fatal crushing injuries can occur from Furniture tip-over. To help prevent tip-over:



- Install tipover restraint provided.
- Place heaviest items in the lowest drawers.
- Do not set TV's or other heavy objects on top of this product, unless the product is specifically designed to accommodate them.
- Never allow children to climb or hang on drawers, doors, or shelves.
- Never open more than one drawer at a time.
- (OR)
- Do not defeat or remove the drawer interlock system.

Use of tip-over restraints may only reduce, but not eliminate, the risk of tip-over.
This is a permanent label. Do not remove!



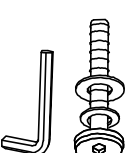
x1 R8874-410-SULEG- Center Support leg *
Support central
Soporte para la pata central



x4 RC-WH-NAIL-White Plastic Nail *
Clou
Clavo



x2 R8874-430-MISU-Mirror Support *
Supporte de miroir
Soporte del espejo



x1 R8874-430- HWKIT-Hardware kit list *
Liste des pièces de quincaillerie
Lista del kit de materiales

*Replaceable Part