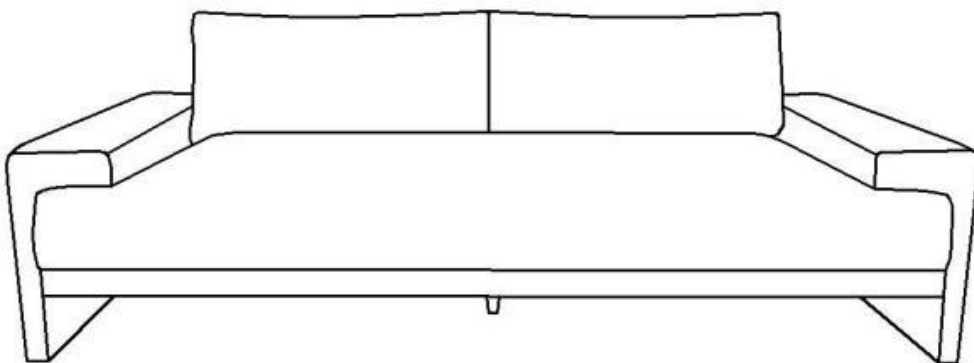







Maeve Sofa

MAEVE

ASSEMBLY INSTRUCTIONS



PARTS LIST

LABLE	PICTURE	DESCRIPTION	QTY
A		Sofa Body	1
B		Back Cushion for Sofa	2
C		Loveseat Body	1

BEFORE BEGINNING ASSEMBLY:



Read instructions cover to cover



Have two adults on hand for assembly



DO NOT assemble on flooring or carpet. Assemble on a clean non-marring surface(ex: packing foam)

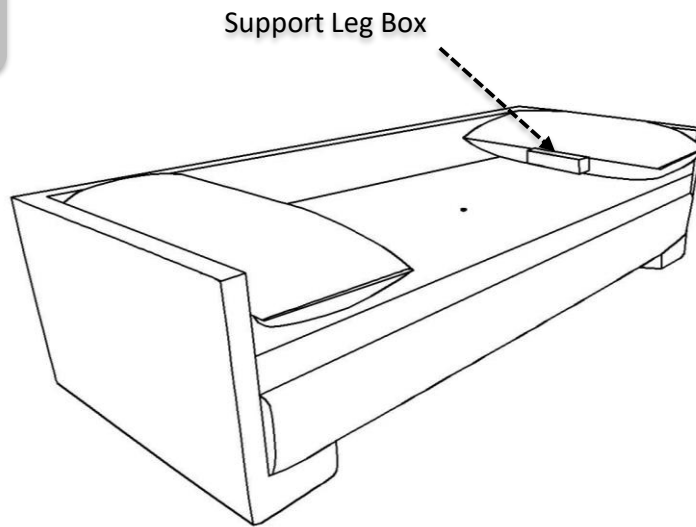


Save all packaging until assembly is completed

ASSEMBLY STEPS

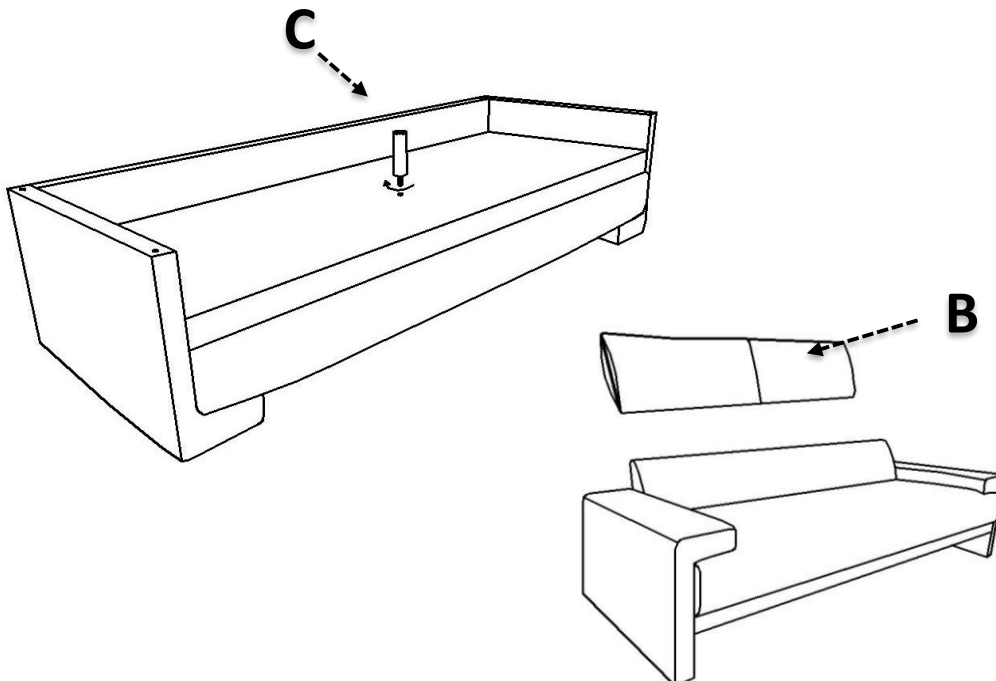
> Please follow the assembly instruction illustrated below.

STEP 1



> Find the back cushion and middle leg box at the bottom of the product.

STEP 2

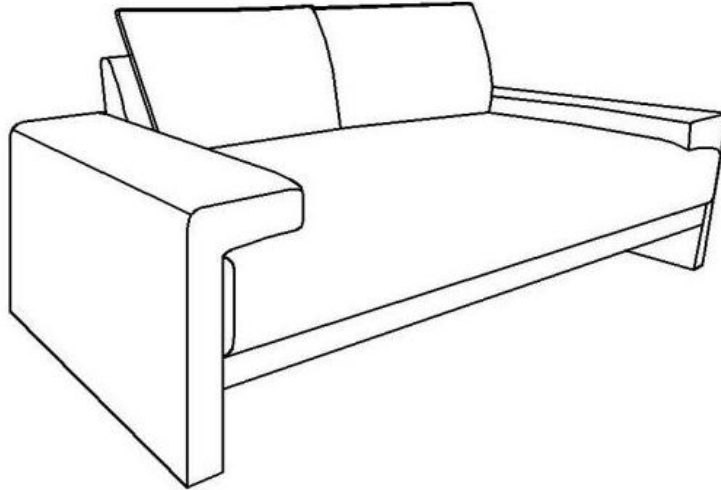


> Screw the support leg into the bottom of the sofa.

> Place the back cushions on the sofa.

ASSEMBLY STEPS

STEP 3



> ASSEMBLY COMPLETED.

CARE & MAINTENANCE



Do not put hot items directly on furniture surface



Do not clean furniture with harsh cleansers or polish.



Dust and pick up spills using a clean, non-colored, lint-free cloth.



Stains may be removed with a mild soap solution and a damp cloth.



Do not place furniture under direct sunlight.



Do not place furniture near heating or cooling vents.



Do not write on furniture without a padded barrier to protect the surface.



Do not place furniture outside, for indoor use only.