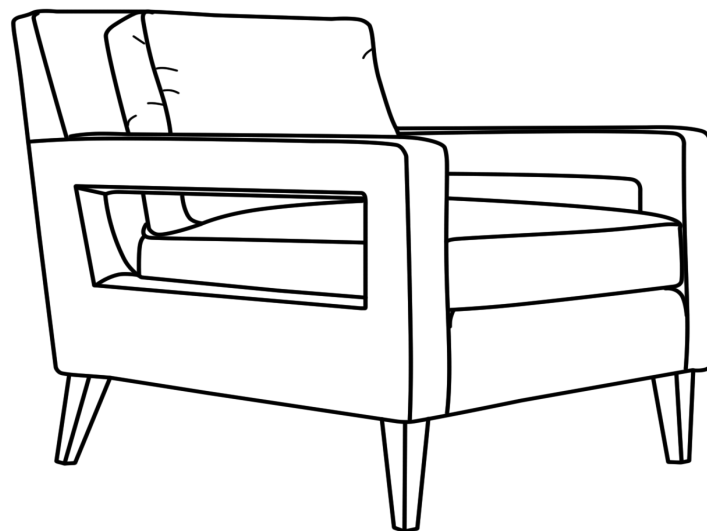




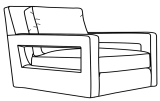



Luna Accent Chair

Luna Accent Chair

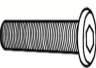



ASSEMBLY INSTRUCTIONS



PARTS LIST

| LABLE | PICTURE | DESCRIPTION | QTY |
|-------|---|----------------|-----|
| A |  | Chair Body | 1 |
| B |  | Frant Legs | 2 |
| C |  | Back Right Leg | 1 |
| D |  | Back Left Leg | 1 |

HARDWARE

| LABLE | PICTURE | DESCRIPTION | QTY |
|-------|---|---------------|-----|
| E |  | Screw(M6*30) | 12 |
| F |  | Spring Washer | 12 |
| G |  | Metal Gasket | 12 |
| H |  | Wrench | 1 |

BEFORE BEGINNING ASSEMBLY:



Read instructions cover to cover



Have two adults on hand for assembly



DO NOT assemble on flooring or carpet. Assemble on a clean non-marring surface(ex: packing foam)

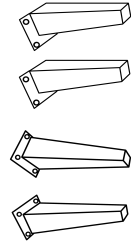
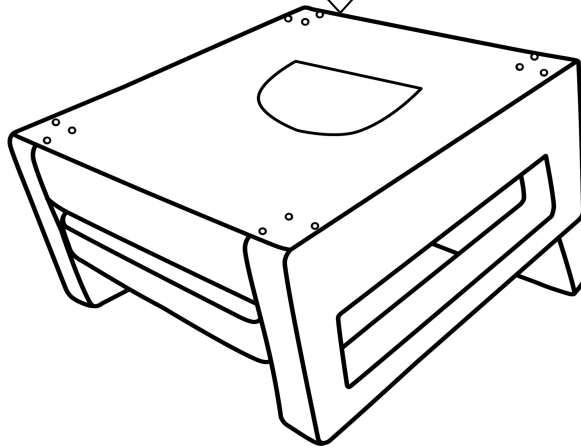


Save all packaging until assembly is completed

ASSEMBLY STEPS

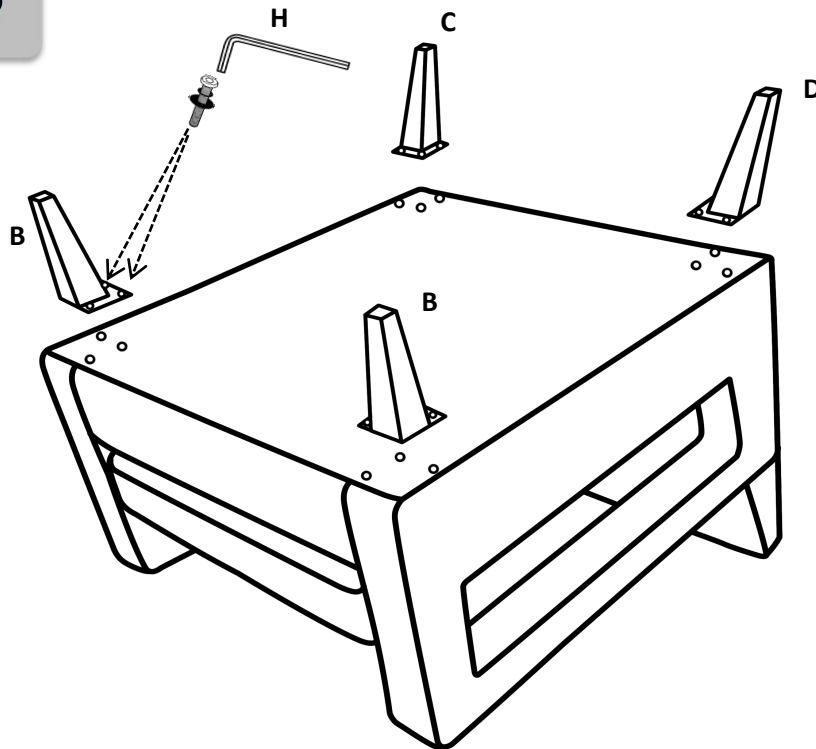
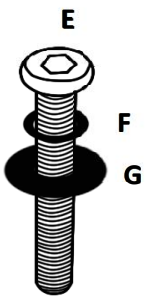
STEP 1

Please open the zipper underneath chair and there are the legs and hardware pack



- › Position the product on its bottom as shown.
- › Open to take the four legs.

STEP 2



- › Attach four leg into the chair body, and tighten all screws. Assembly is completed.

CARE & MAINTENANCE



Do not put hot items directly on furniture surface



Do not clean furniture with harsh cleansers or polish.



Dust and pick up spills using a clean, non-colored, lint-free cloth.



Stains may be removed with a mild soap solution and a damp cloth.



Do not place furniture under direct sunlight.



Do not place furniture near heating or cooling vents.



Do not write on furniture without a padded barrier to protect the surface.



Do not place furniture outside, for indoor use only.