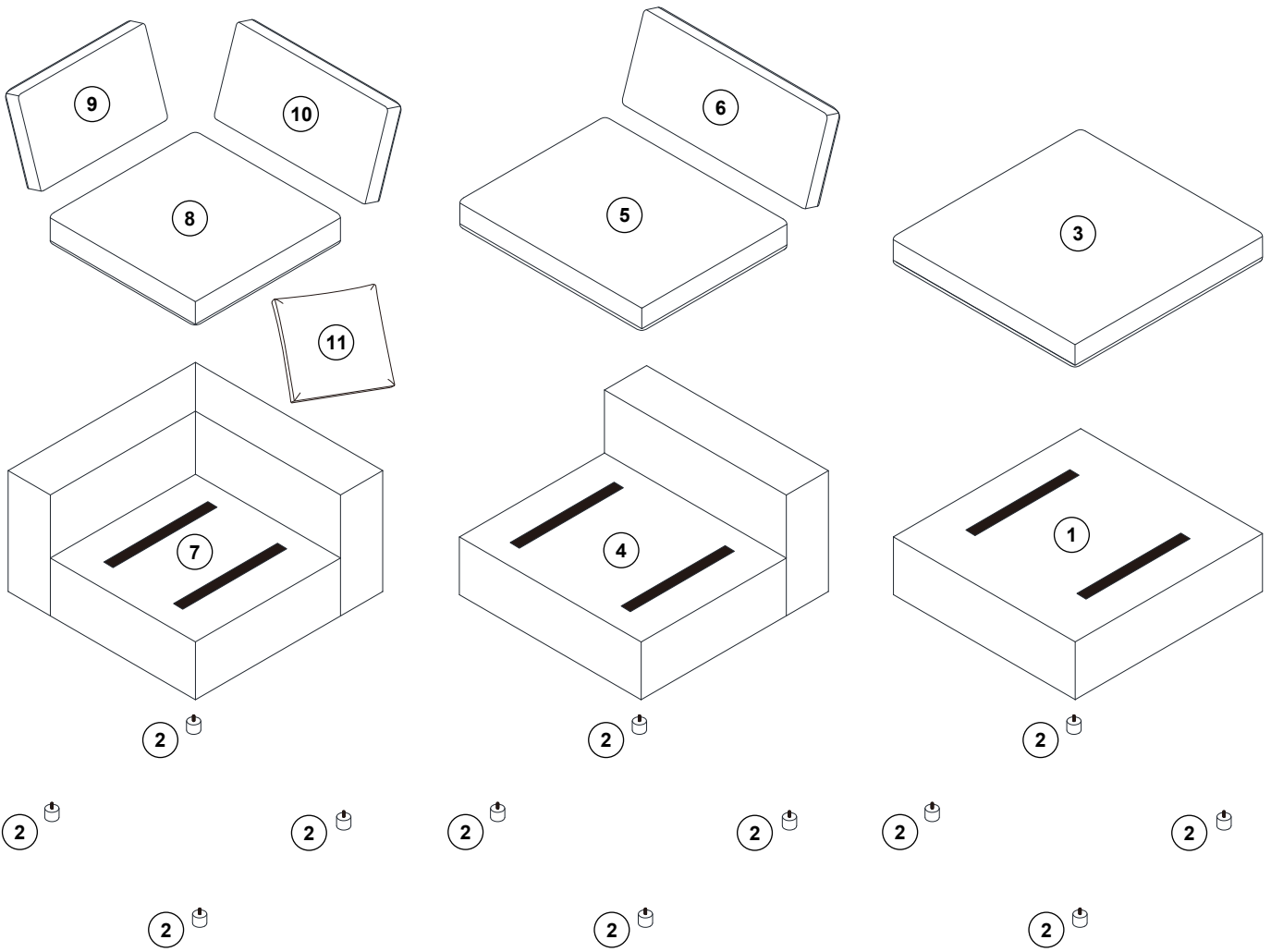
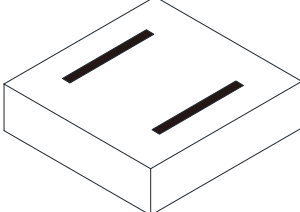
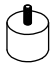
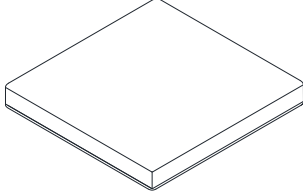


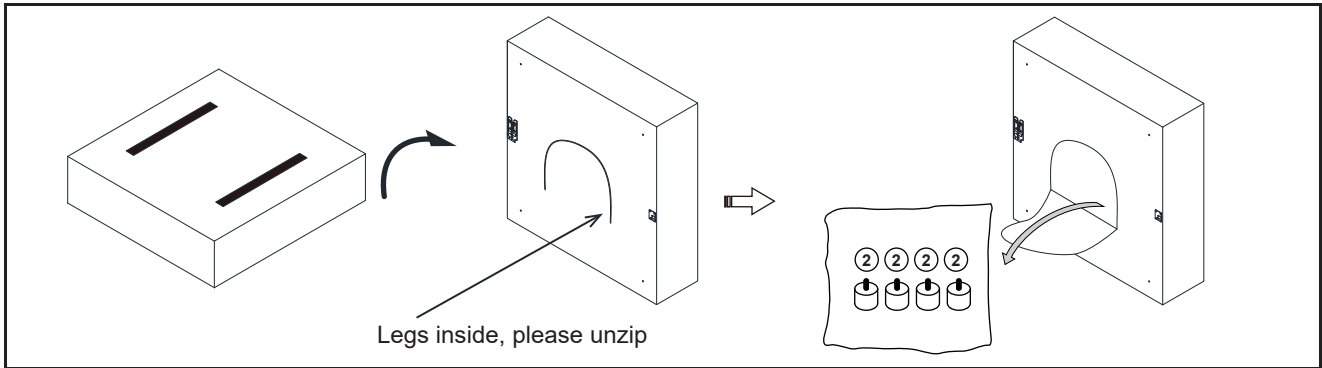
Cali Modular Sectional

ASSEMBLY INSTRUCTIONS

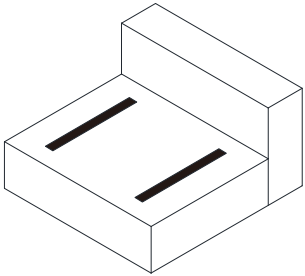

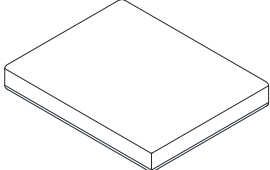
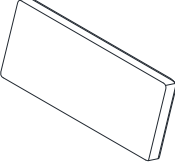


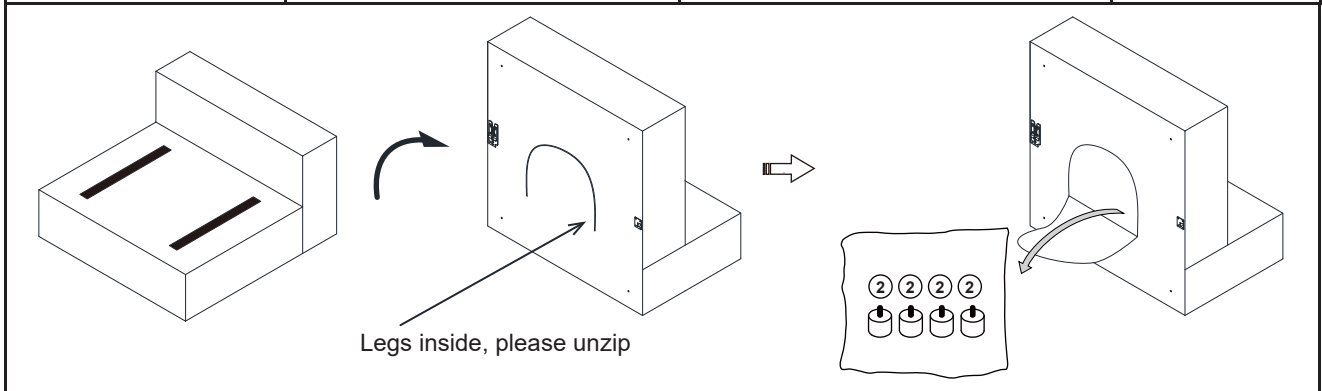
COMPONENTS LISTED for Ottoman

LABEL	PICTURE	DESCRIPTION	QTY
1		Ottoman Body	1
2		Leg	4
3		Seat Cushion	1

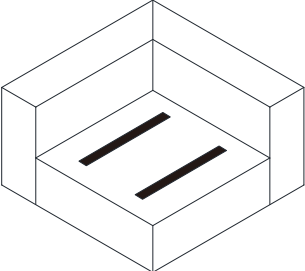

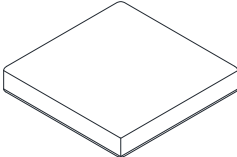
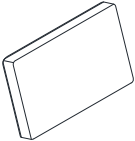
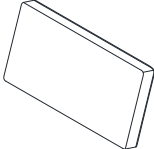
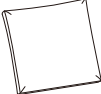


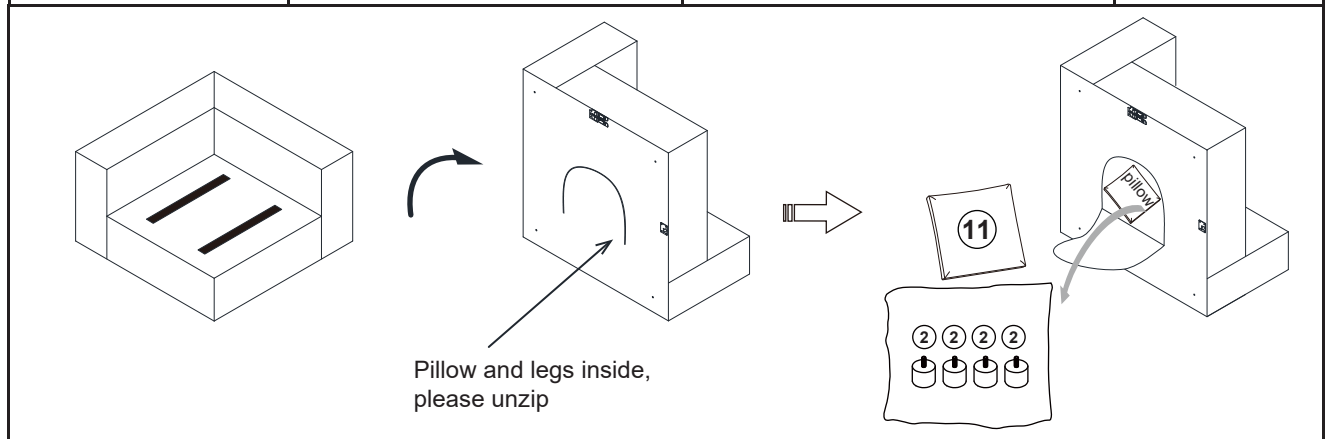
COMPONENTS LISTED for Armless Chair

LABEL	PICTURE	DESCRIPTION	QTY
4		Armless Chair Body	1
2		Leg	4
5		Seat Cushion	1
6		Back Cushion	1



COMPONENTS LISTED for Corner Seat

LABEL	PICTURE	DESCRIPTION	QTY
7		<p style="text-align: center;">Corner Seat Body</p>	<p style="text-align: center;">1</p>
2		<p style="text-align: center;">Leg</p>	<p style="text-align: center;">4</p>
8		<p style="text-align: center;">Seat Cushion</p>	<p style="text-align: center;">1</p>
9		<p style="text-align: center;">Back Cushion</p>	<p style="text-align: center;">1</p>
10		<p style="text-align: center;">Back Cushion</p>	<p style="text-align: center;">1</p>
11		<p style="text-align: center;">Pillow</p>	<p style="text-align: center;">1</p>



BEFORE BEGINNING ASSEMBLY:



Read instructions cover to cover



Have two adults on hand for assembly



Do NOT assemble on flooring or carpet. Assemble on a clean non-marring surface (ex: packing foam)



Save all packaging until assembly is completed

ASSEMBLY STEPS

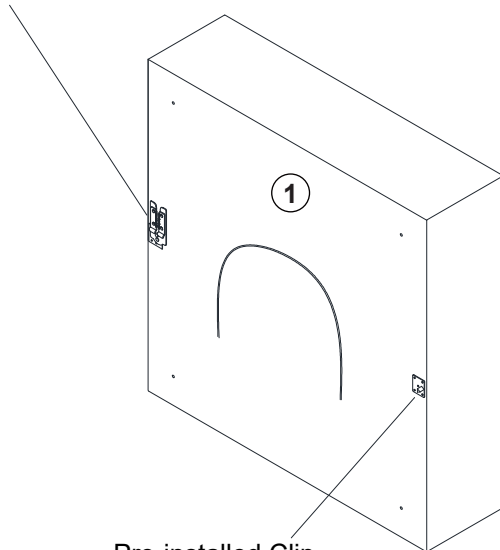
THE ASSEMBLY STEPS OF THE ARMLESS CHAIR, CORNER SEAT AND OTTOMAN ARE THE SAME. THE FOLLOWING ILLUSTRATION SHOWS THE ASSEMBLY STEPS OF THE OTTOMAN.

Step 1:

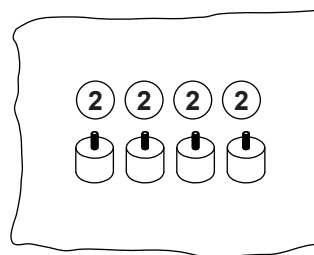
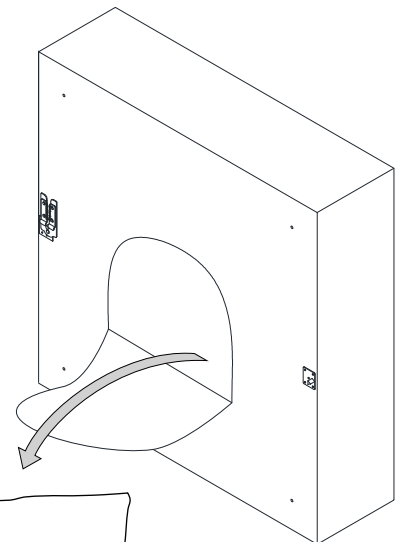
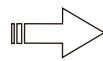
1. Place the Ottoman Body (1) on a carpeted or padded surface.
2. Open the Zipper strip on the bottom of the Ottoman Body (1) and remove the 4 Legs (2) from within.

STEP 1

Pre-installed Clip
on the bottom of ottoman

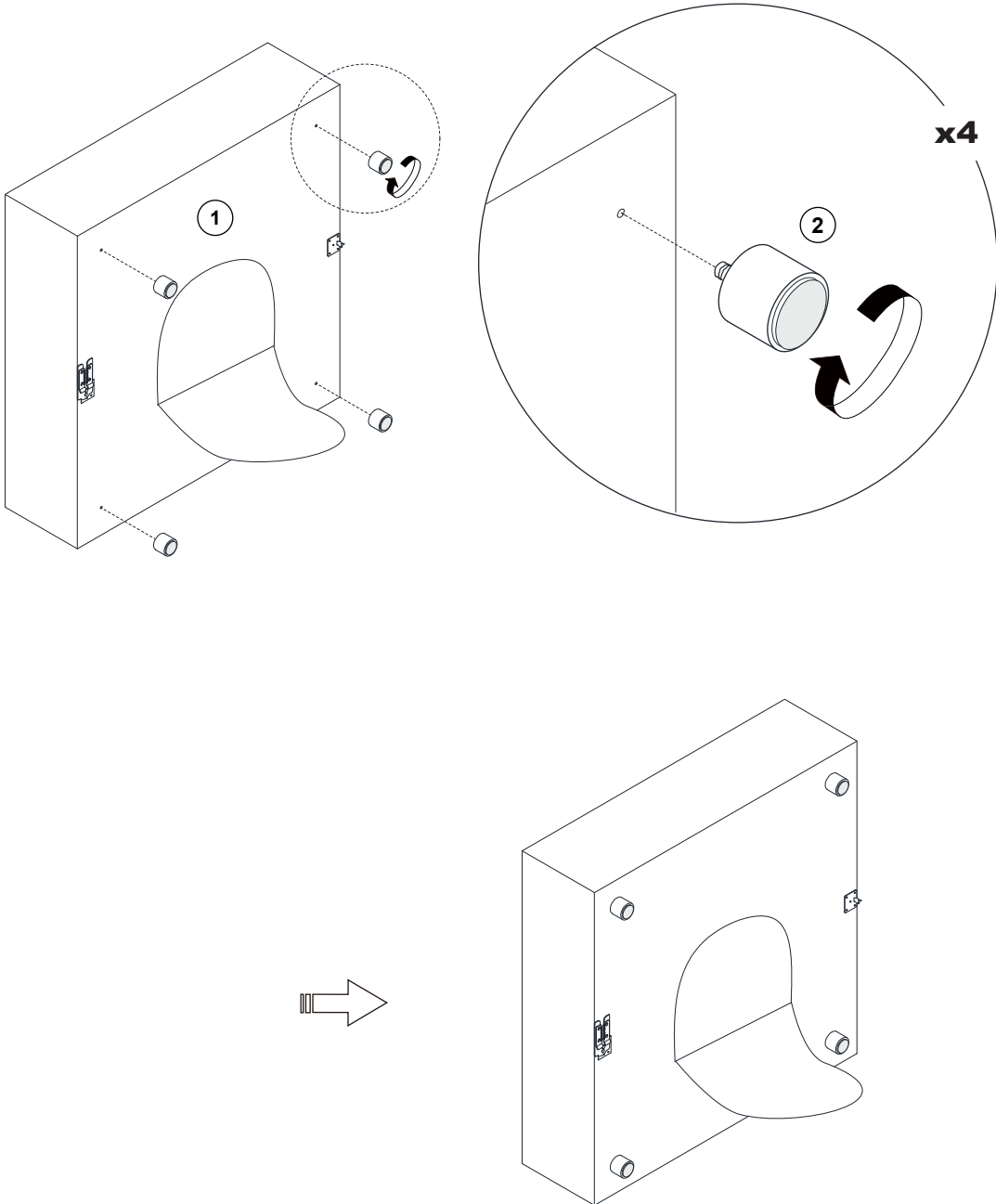


Pre-installed Clip
on the bottom of ottoman



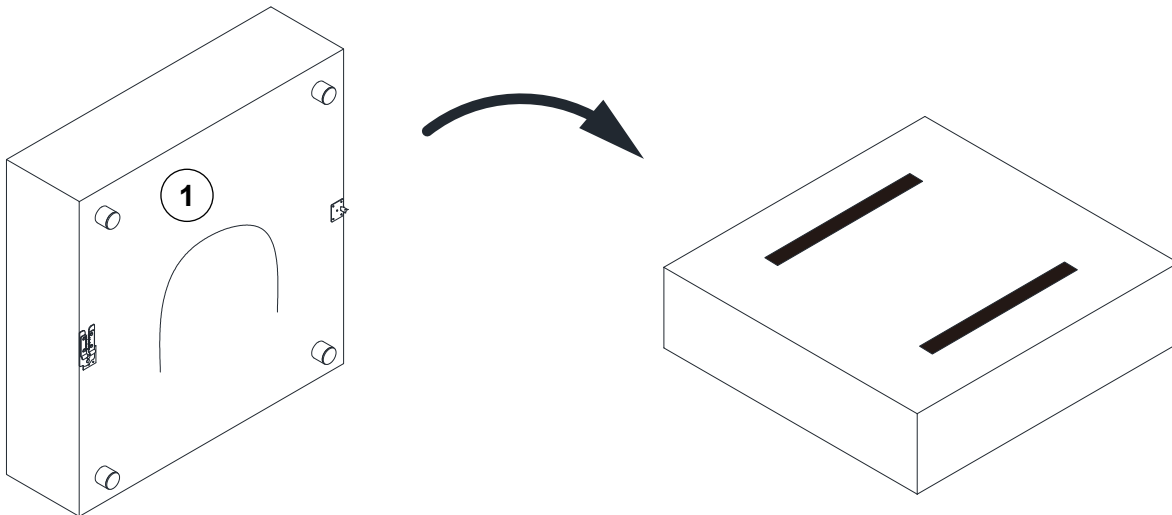
STEP 2

1. Screw Leg (2) into the bottom of Ottoman Body (1) as shown.
Repeat the same steps for the other 3 Legs (2).



STEP 3

1. Close the Zipper strip on the bottom of the Ottoman (1).
2. Carefully turn over the assembled Ottoman as shown.

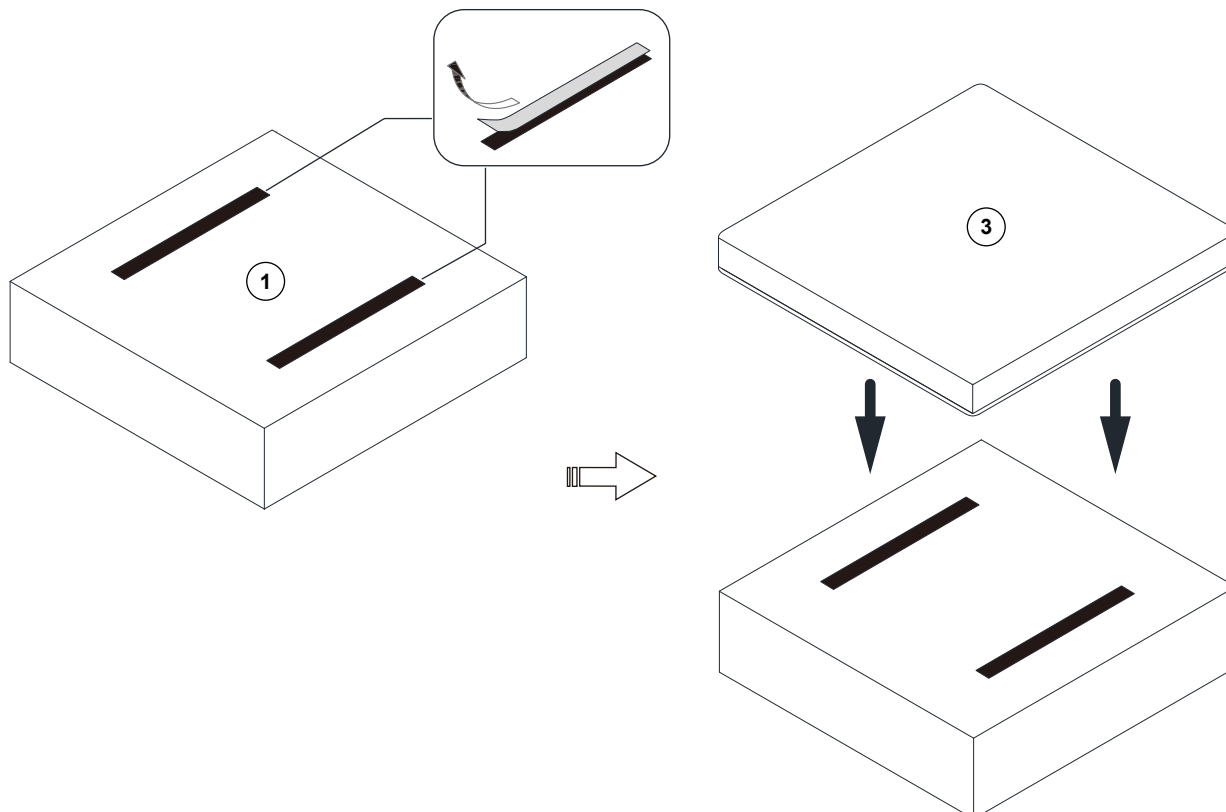


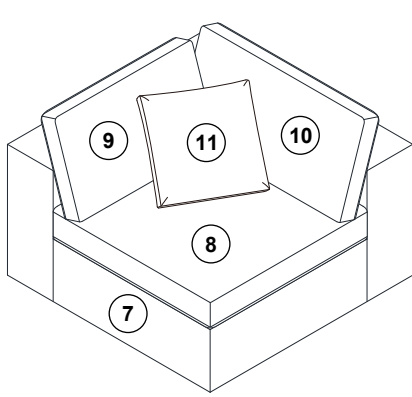
STEP 4

Attach the Seat Cushion (3) to the assembled ottoman by aligning the velcro strips as shown.

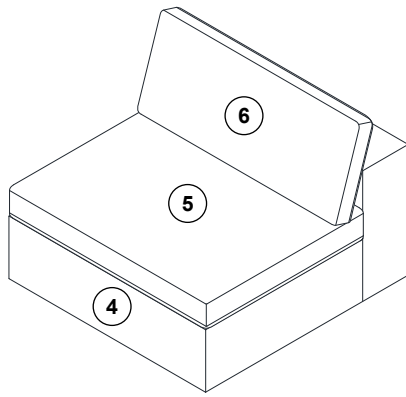
The same process should be repeated for the Armless Chair and Corner Seat .

Once all seats are assembled, place the Back Cushions (5), (6), (8), (9), (10), (11) on the Armless Chair (4) and Corner seat (7)

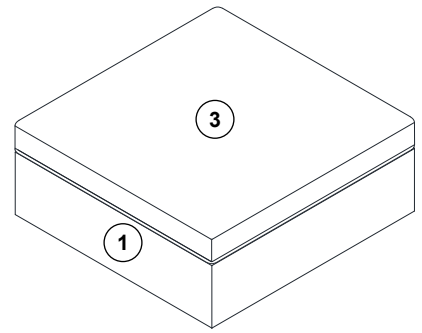




Corner



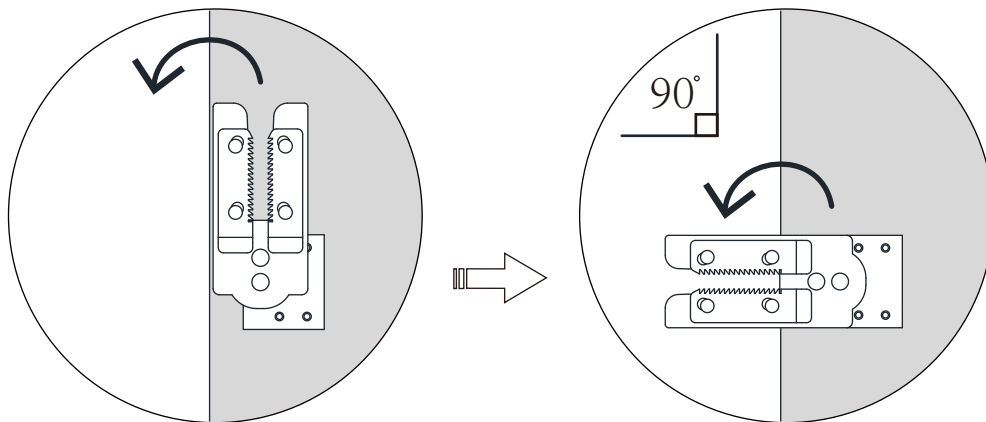
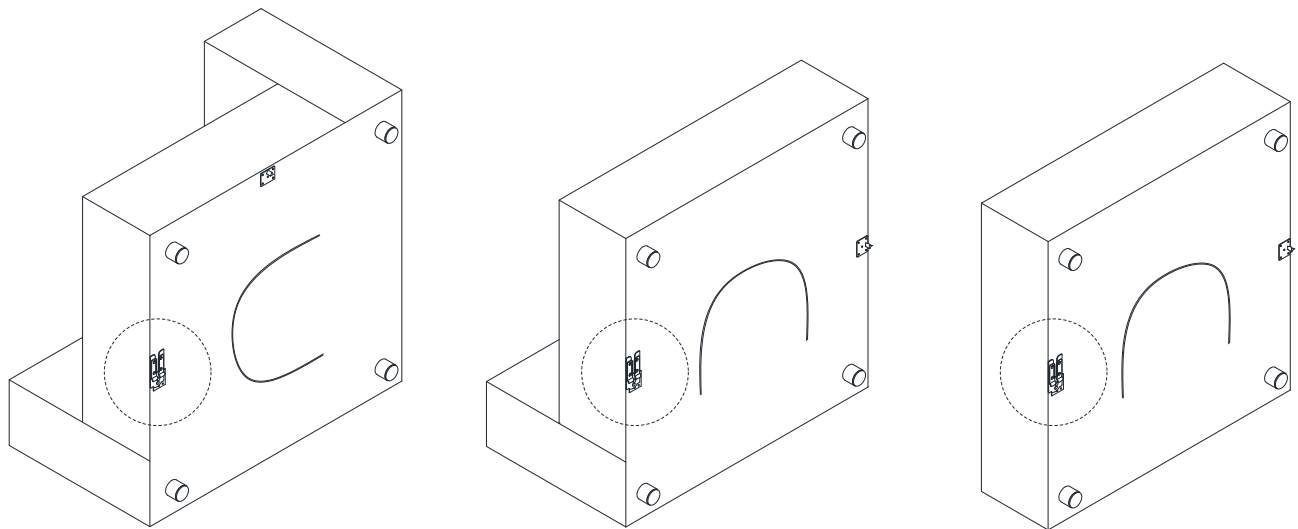
Armless

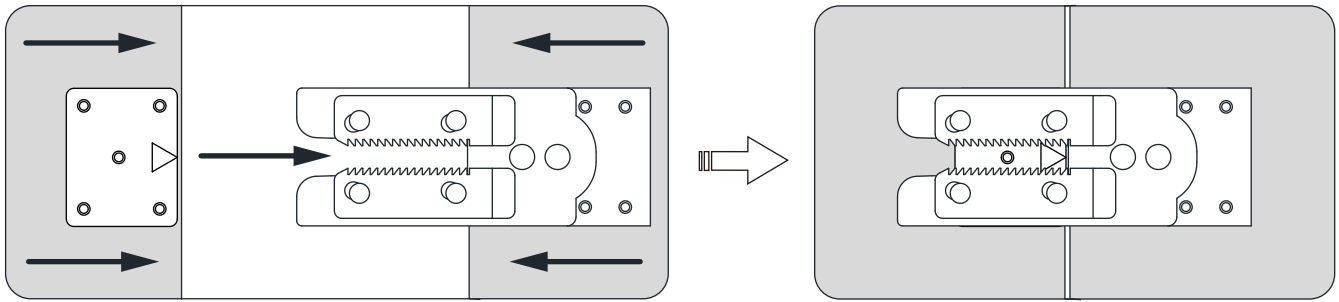


Ottoman

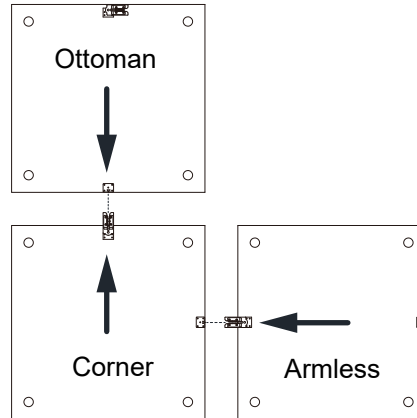
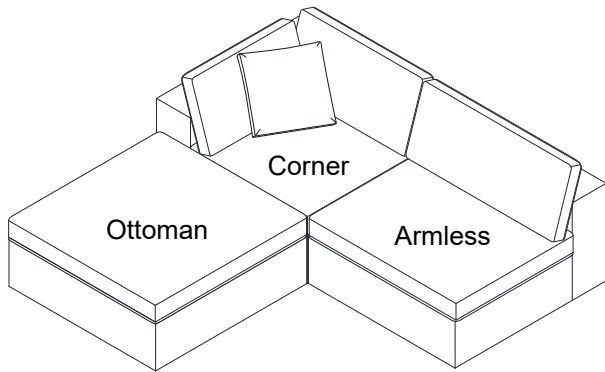
STEP 5

This modular sofa has 3 configuration options. To connect the sofa parts, simply align the pre-assembled clips and push the pieces together slowly until the clips click into place. The configuration options are listed below.

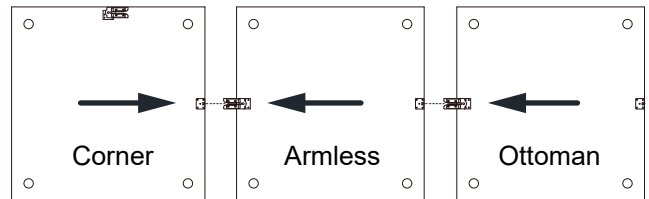
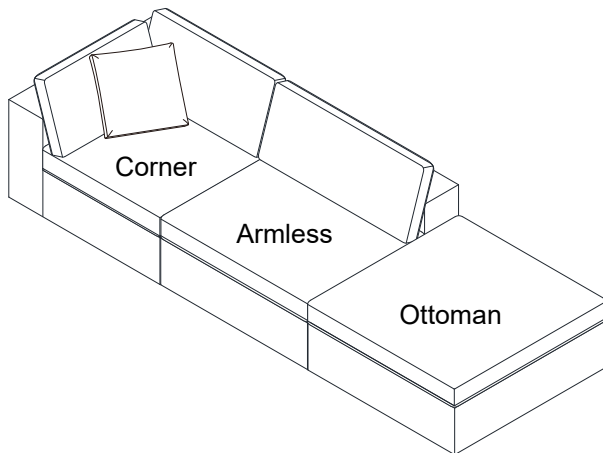




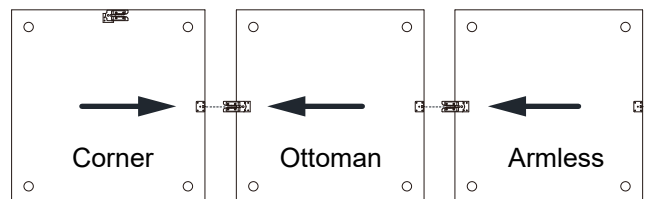
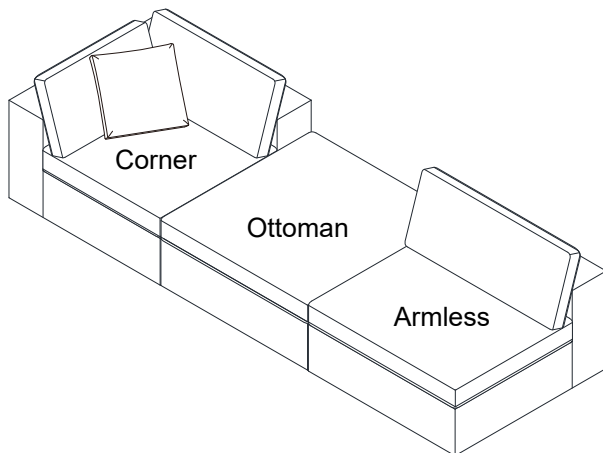
Option A:



Option B:



Option C:



CARE & MAINTENANCE



Do not put hot items directly on furniture surface.



Do not clean furniture with harsh cleansers or polish.



Dust and pick up spills using a clean, non-colored, lint-free cloth.



Stains may be removed with mild soap solution and a damp cloth.



Do not place furniture under direct sunlight.



Do not place furniture near heating or cooling vents.



Do not write on furniture without a padded barrier to protect the surface.