





# **Cali Modular Sofa**

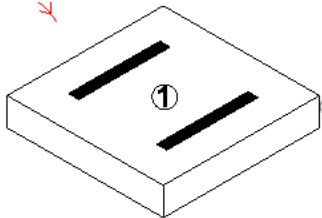


---

## **ASSEMBLY INSTRUCTIONS**

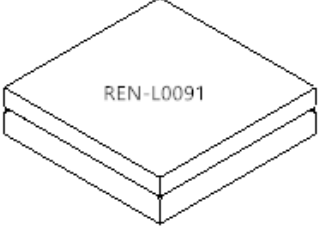

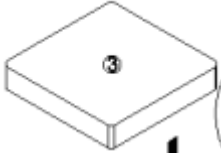
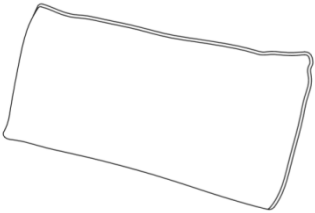
# HARDWARE LIST

LABEL	PICTURE	DESCRIPTION	QTY
A		Bolt M8x60mm	1
B		Flat Washer	4
C		Allen Wrench M8	1
D		Felt Pad	4

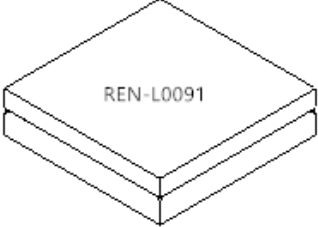
## COMPONENTS LISTS for Ottoman


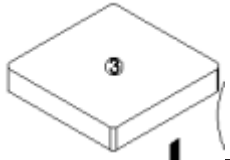
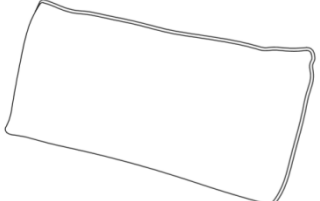
LABEL	PICTURE	DESCRIPTION	QTY
1		Ottoman Body	1
2		Leg	4
3		Seat Cushion	1

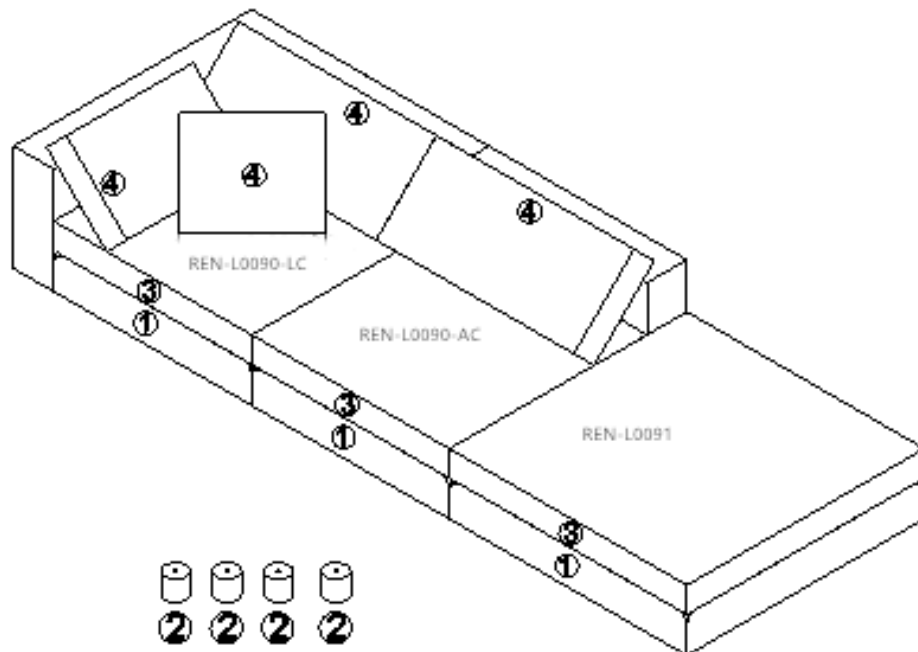
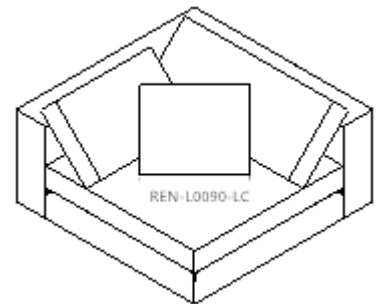
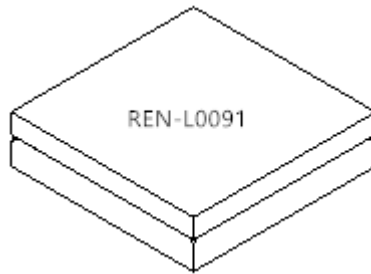
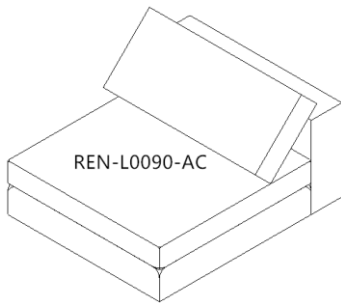
## COMPONENTS LISTS for Armless Chair

LABEL	PICTURE	DESCRIPTION	Q TY
1		<b>Armless Chair Body</b>	1
2		<b>Leg</b>	4
3		<b>Seat Cushion</b>	1
4		<b>Back Cushion</b>	1

## COMPONENTS LISTS for Corner Seat

LABEL	PICTURE	DESCRIPTION	Q TY
1		<b>Corner Seat Body</b>	1

2		Leg	4
3		Seat Cushion	1
4		Back Cushion	3



## BEFORE BEGINNING ASSEMBLY:



*Read instructions cover to cover*



*Have two adults on hand for assembly*



*Do NOT assemble on flooring or carpet. Assemble on a clean non-marring surface (ex: packing foam)*



*Save all packaging until assembly is completed*

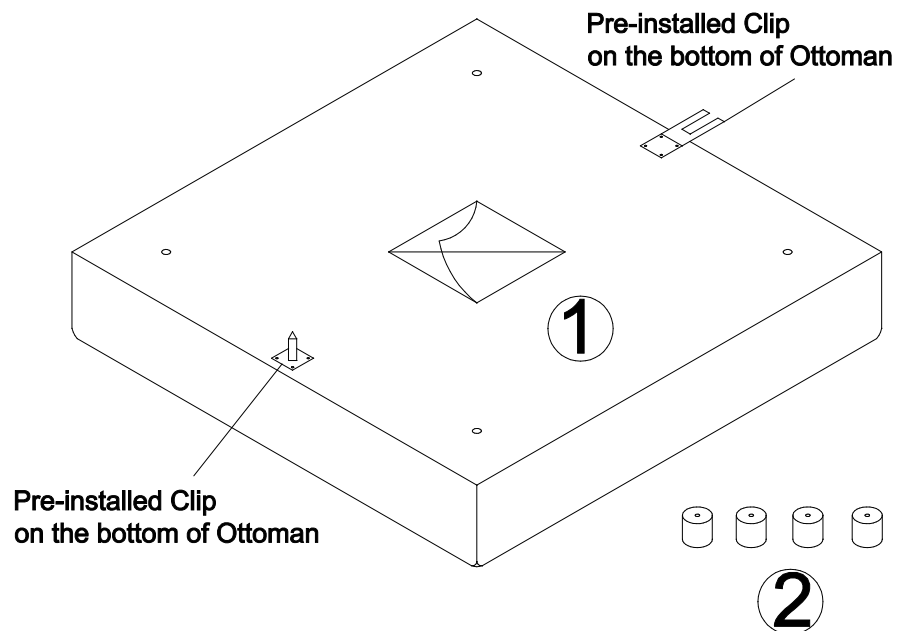
## ASSEMBLY STEPS

THE ASSEMBLY STEPS OF THE ARMLESS CHAIR, CORNER SEAT AND OTTOMAN ARE THE SAME. THE FOLLOWING ILLUSTRATION SHOWS THE ASSEMBLY STEPS OF THE OTTOMAN.

Step 1:

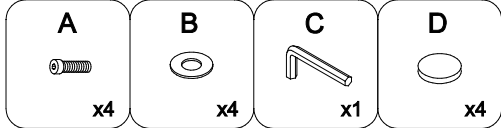
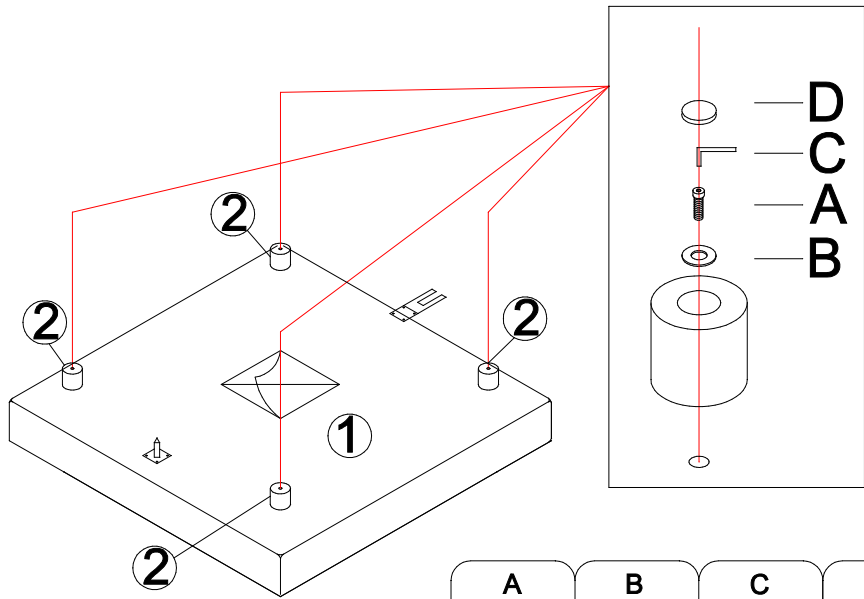
1. Place the Ottoman Body (1) on a carpeted or padded surface.
2. Open the Zipper strip on the bottom of the Ottoman Body (1) and remove the 4 Legs (2) and hardware bag from within.

### STEP 1



### STEP 2

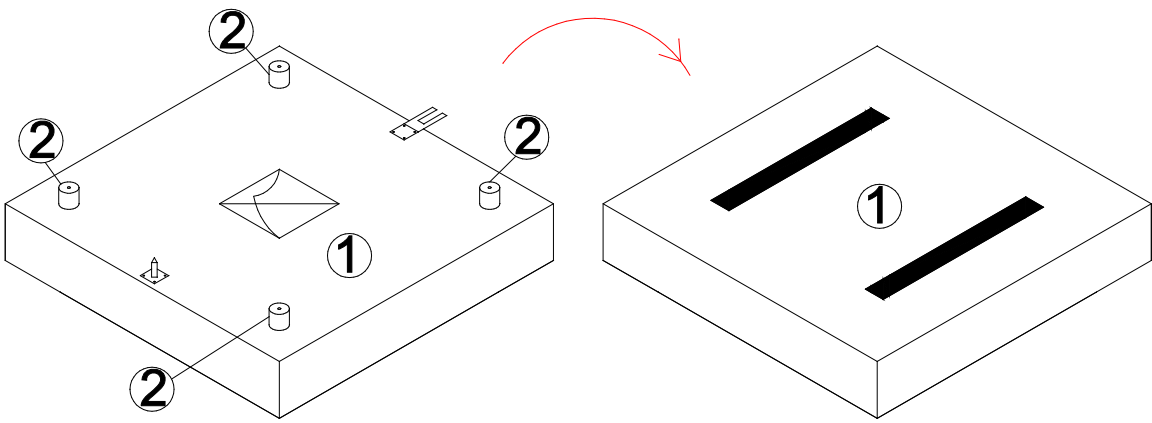
1. Attach each Leg (2) to the bottom of Ottoman Body (1) by using 1 Bolt (A) and 1 Flat Washer (B) as shown. Repeat the same steps for the other 3 Legs (2).
2. Tighten the Bolts (A) by using the included Allen Wrench (C) as shown.
3. Tear off the cover of the Felt Pad (D) and attach it to the bottom of the leg after tightening all Bolts (A) as shown.



**Hardware & Tools Required**

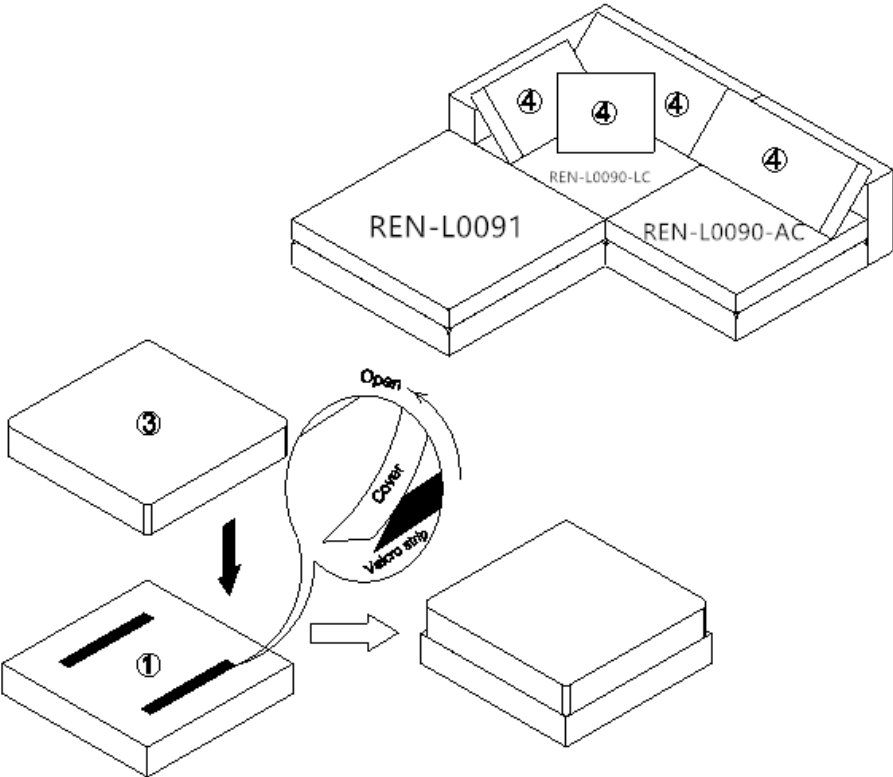
**STEP 3**

1. Close the Zipper strip on the bottom of the Ottoman (1).
2. Carefully turn over the assembled Ottoman as shown.



## STEP 4

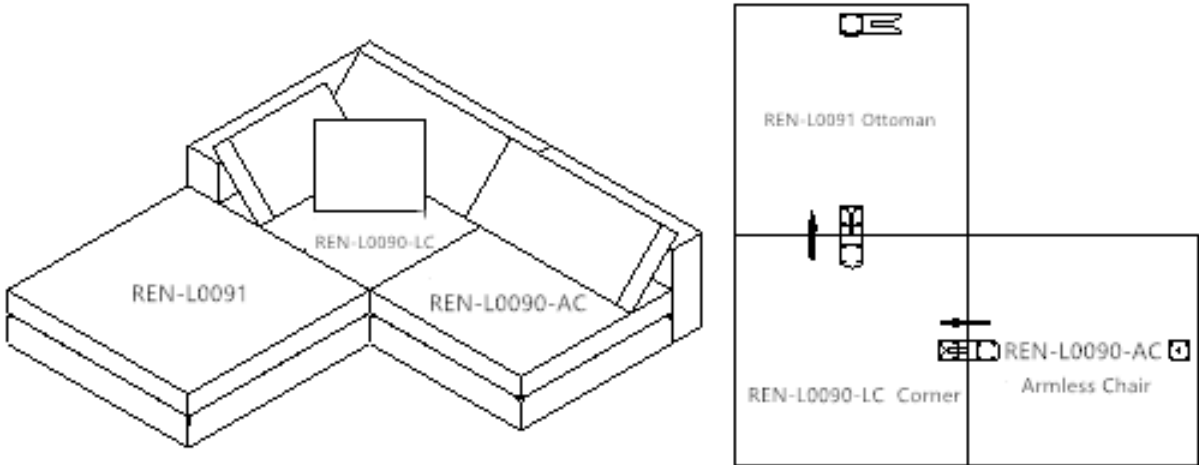
Attach the Seat Cushion (3) to the assembled ottoman by aligning the velcro strips as shown. The same process should be repeated for the Corner Seat and Armless Chair. Once all seats are assembled, place the Back Cushions (4) on the Corner seat and Armless Chair



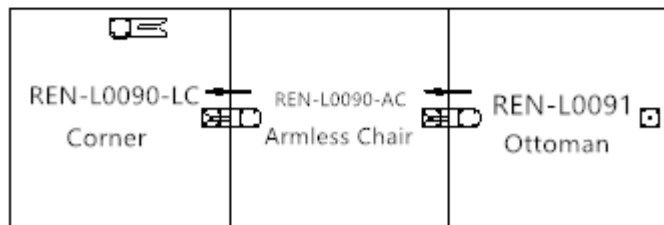
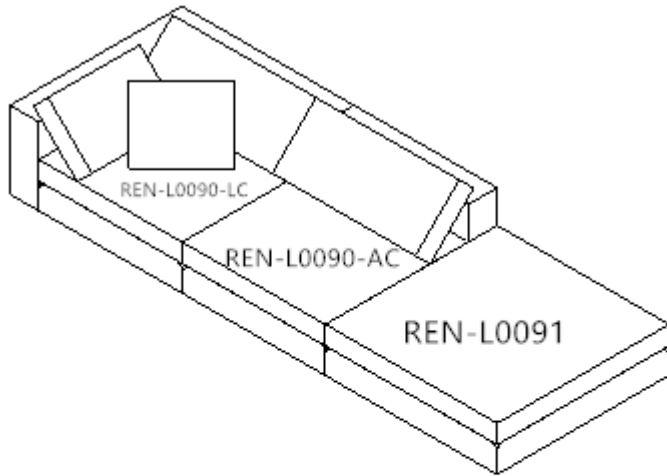
## STEP 5

This modular sofa has 3 configuration options. To connect the sofa parts, simply align the pre-assembled clips and push the pieces together slowly until the clips click into place. The configuration options are listed below.

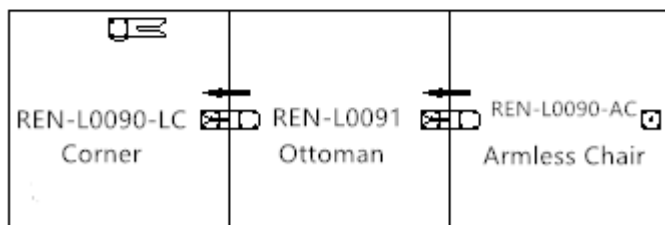
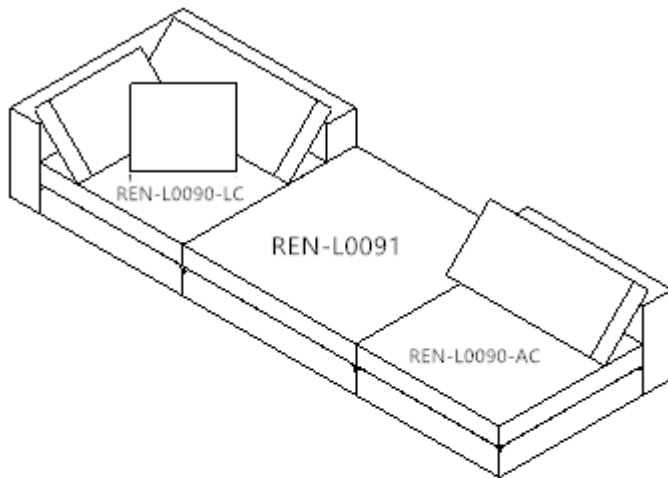
### Option A:



**Option B:**



**Option C:**





## CARE & MAINTENANCE



**Do not put hot items directly on furniture surface.**



**Do not clean furniture with harsh cleansers or polish.**



**Dust and pick up spills using a clean, non-colored, lint-free cloth.**



**Stains may be removed with mild soap solution and a damp cloth.**



**Do not place furniture under direct sunlight.**



**Do not place furniture near heating or cooling vents.**



**Do not write on furniture without a padded barrier to protect the surface.**