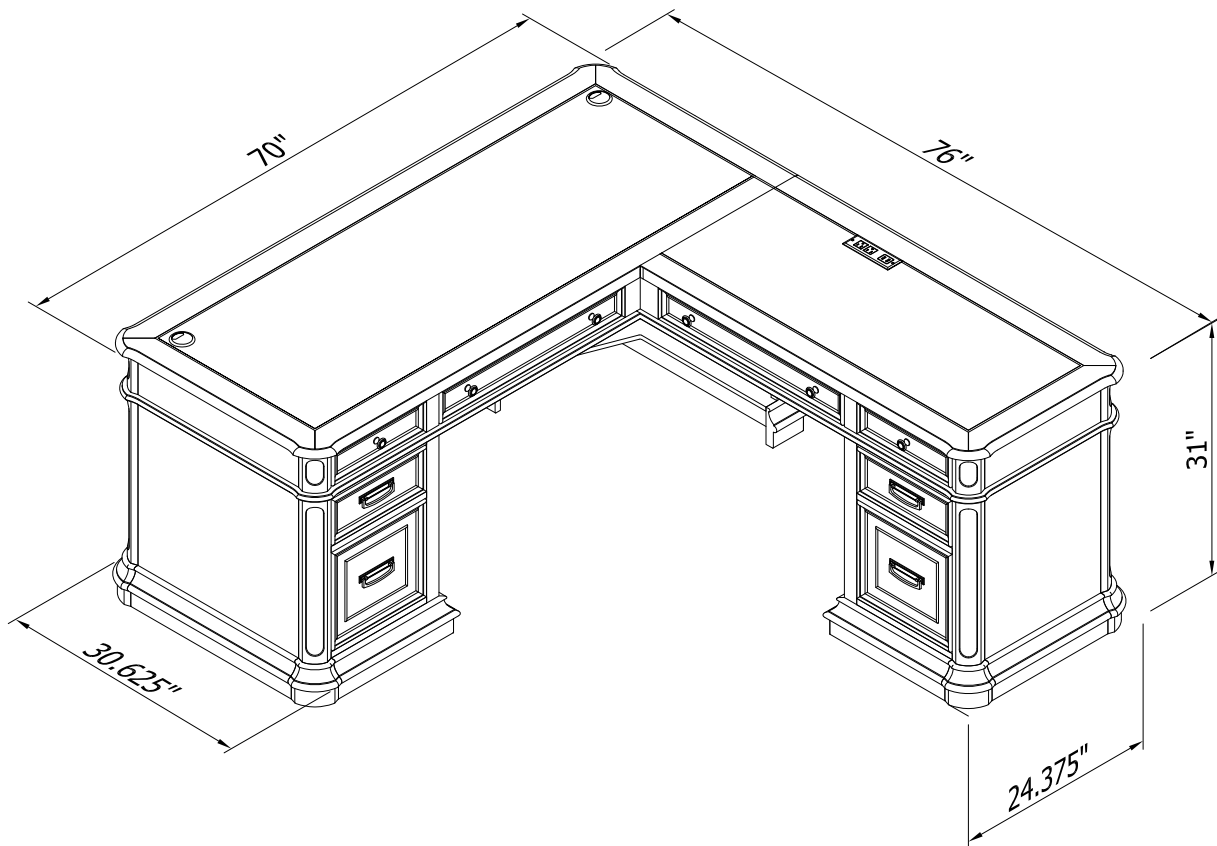




## ROANOKE EXECUTIVE L DESK

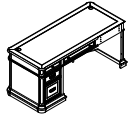
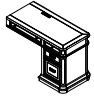
# ROANOKE

## ASSEMBLY INSTRUCTIONS










MADE IN VIETNAM

PARTS LIST

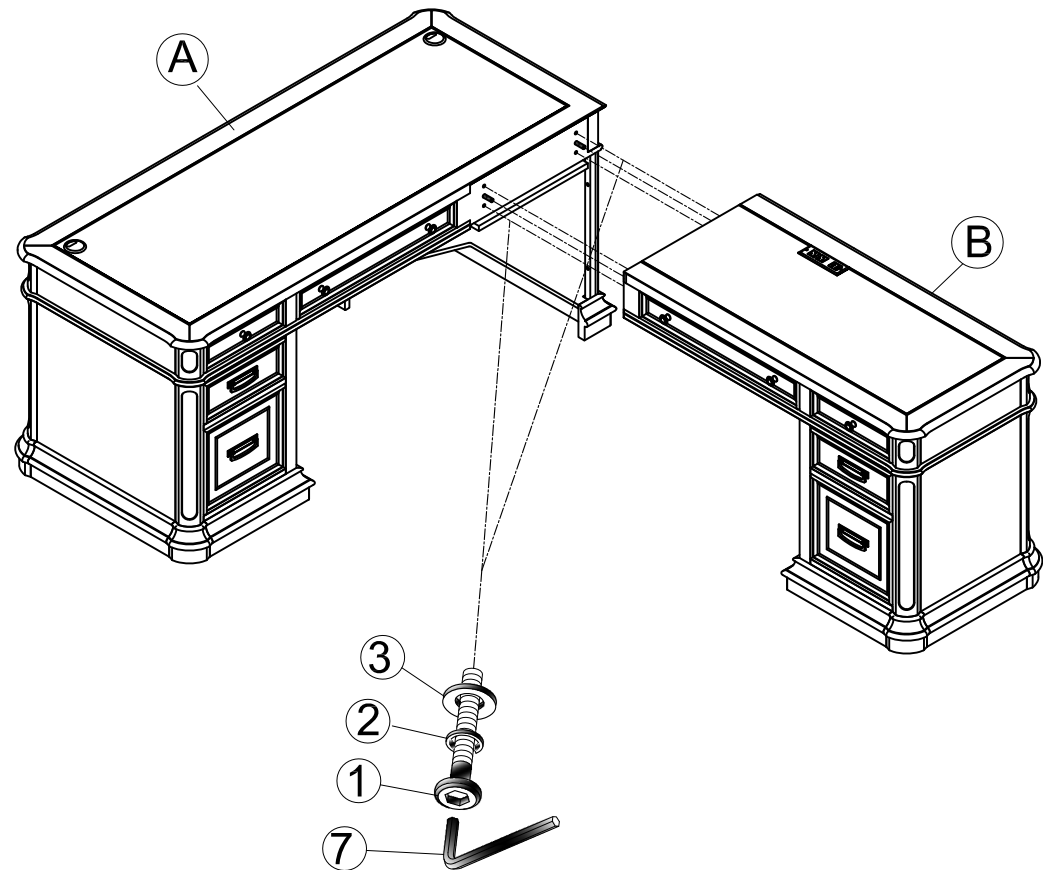
NO.	SKETCH	DESCRIPTION	Q'TY
A		Left Desk	1pc
B		Right Desk	1pc

HARDWARE LIST

NO.	SKETCH	DESCRIPTION	Q'TY
1		Bolt 1/4"x20x1.375"	4pcs
2		Spring Washer 1/4"	4pcs
3		Flat Washer 1/4"x19mm	4pcs
4		Bolt 5/16"x20x1.75"	2pcs
5		Spring Washer 5/16"	2pcs
6		Flat Washer 5/16"x19mm	2pcs
7		Allen key 4mm	1pc

STEP 1

ASSEMBLY STEPS



Read instructions cover to cover



Have two adults on hand for assembly



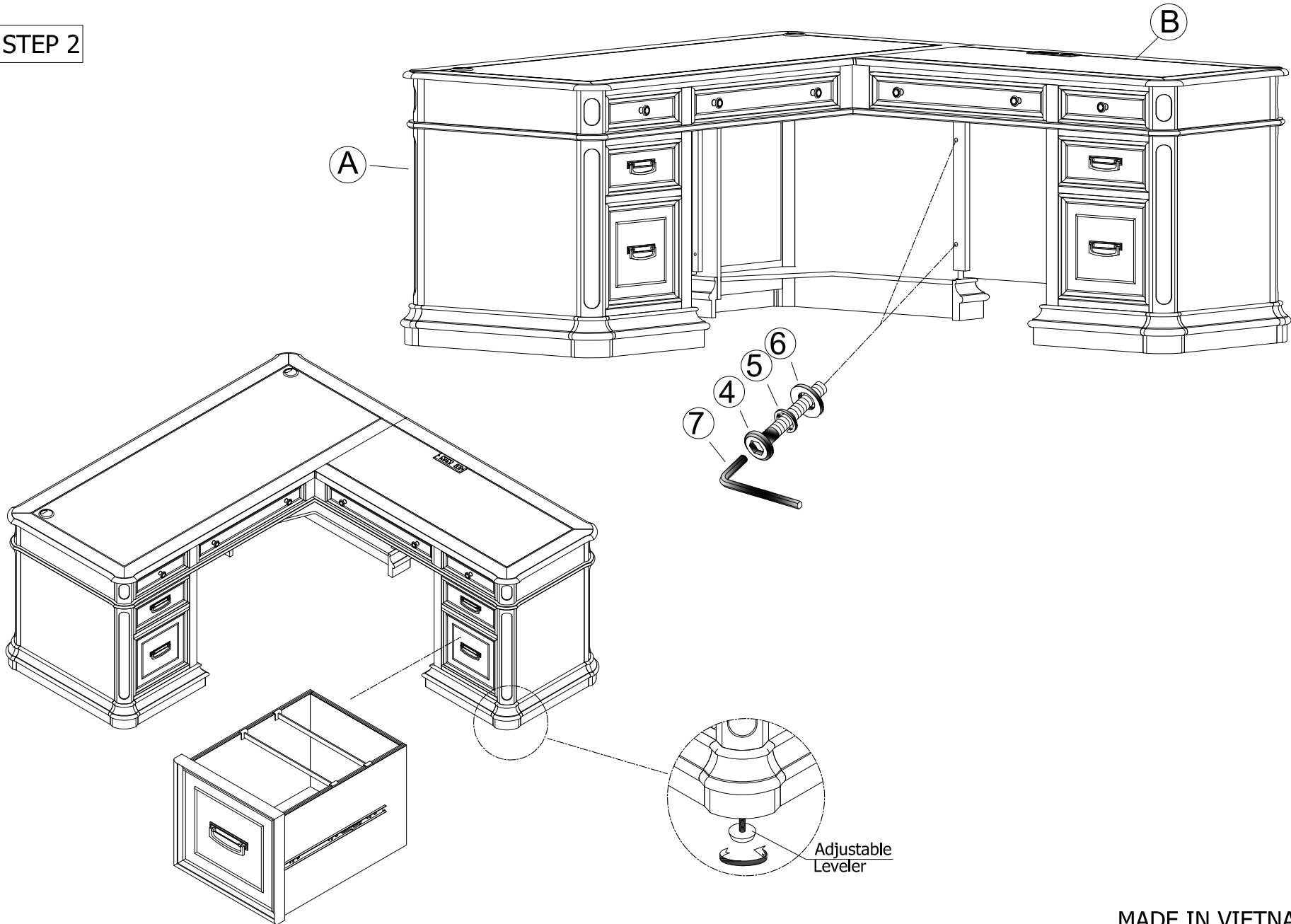
Do not assemble on flooring or carpet. Assemble on a clean non-marring surface (ex: packing foam)



Save all packaging until assembly is completed

MADE IN VIETNAM

STEP 2



MADE IN VIETNAM