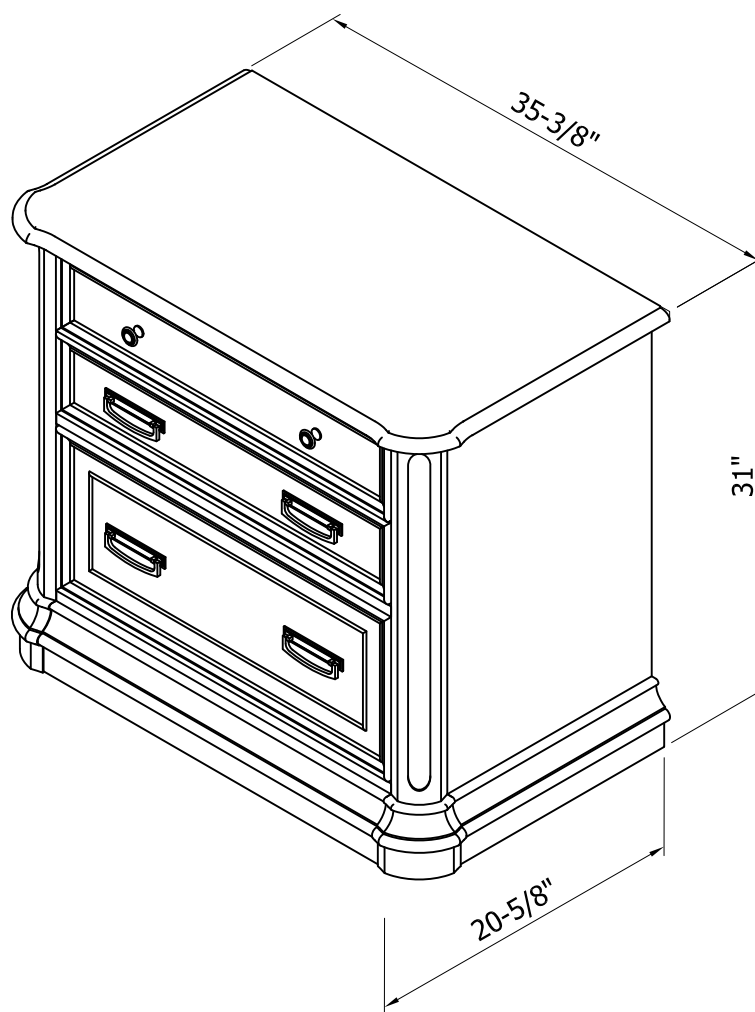




ROANOKE FILE CABINET


ROANOKE

ASSEMBLY INSTRUCTIONS




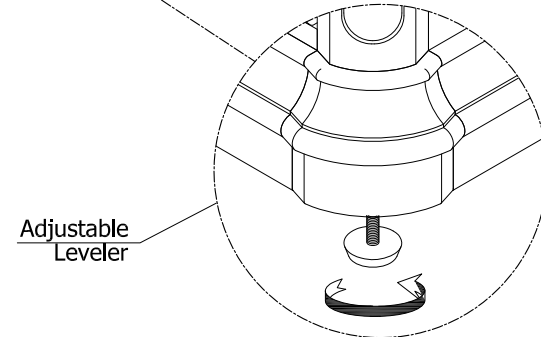
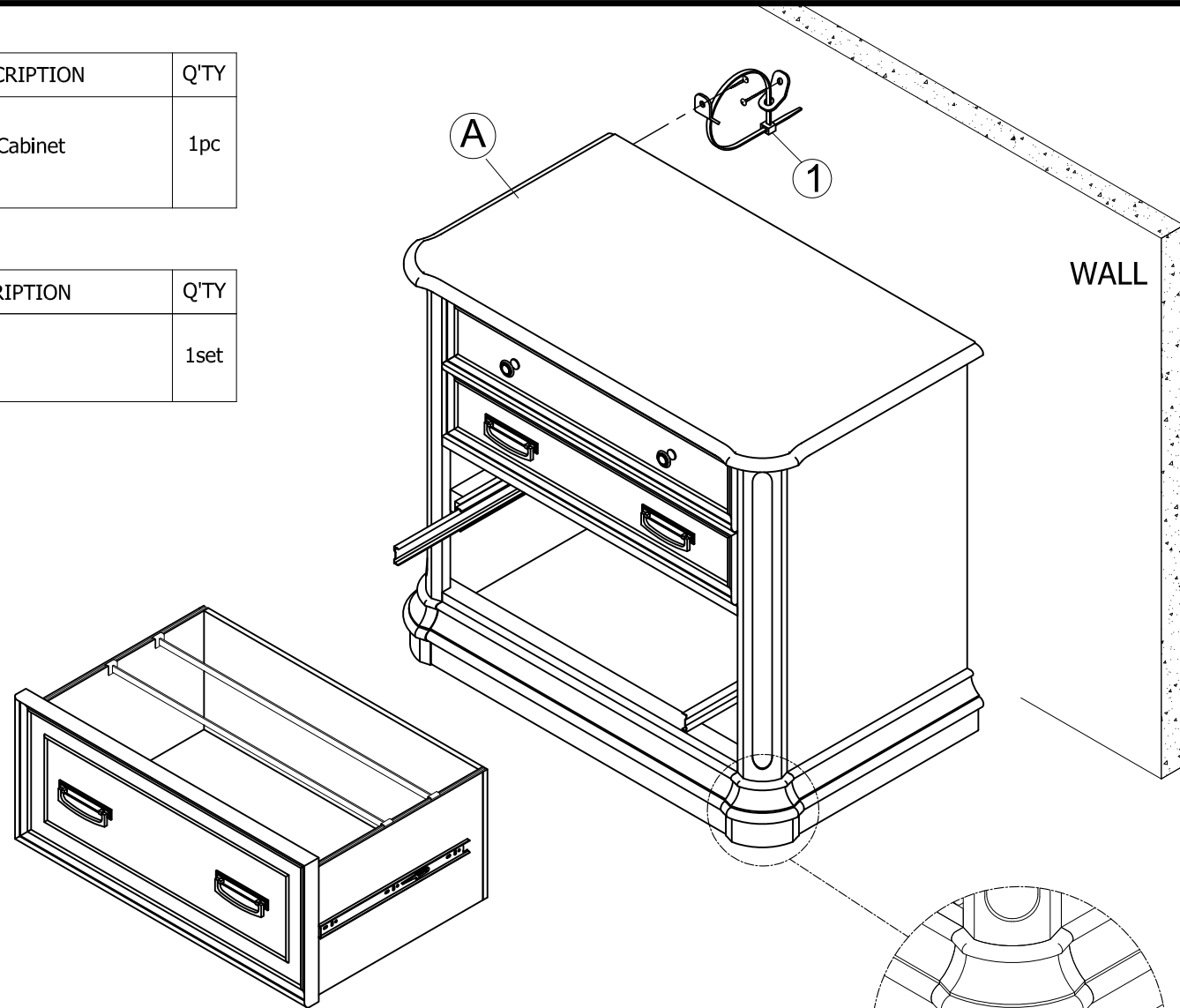
MADE IN VIETNAM

PARTS LIST


NO.	SKETCH	DESCRIPTION	Q'TY
A		Roanoke File Cabinet	1pc


HARDWARE LIST


NO.	SKETCH	DESCRIPTION	Q'TY
1		Anti-Tip Kit	1set




Adjustable Leveler

 Read instructions cover to cover

 Have two adults on hand for assembly

 Do not assemble on flooring or carpet. Assemble on a clean non-marring surface (ex: packing foam)

 Save all packaging until assembly is completed