

PARTS LIST

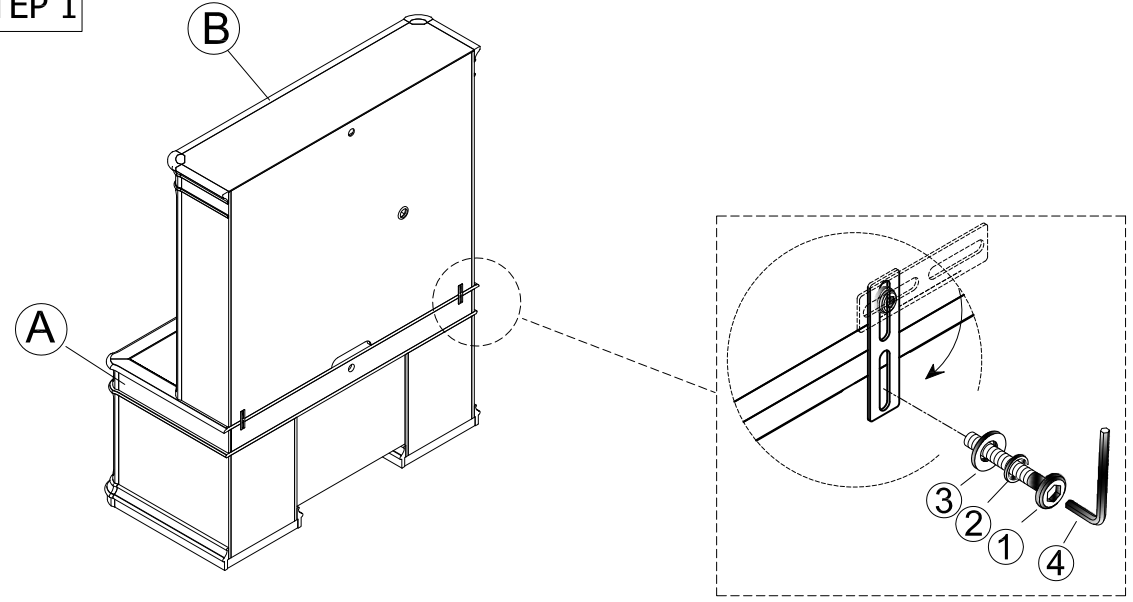
| NO. | SKETCH | DESCRIPTION | Q'TY |
|-----|--------|---------------------------------|------|
| A | | Roanoke Executive Desk Top/Base | 1pc |
| B | | Roanoke Executive Hutch | 1pc |

HARDWARE LIST

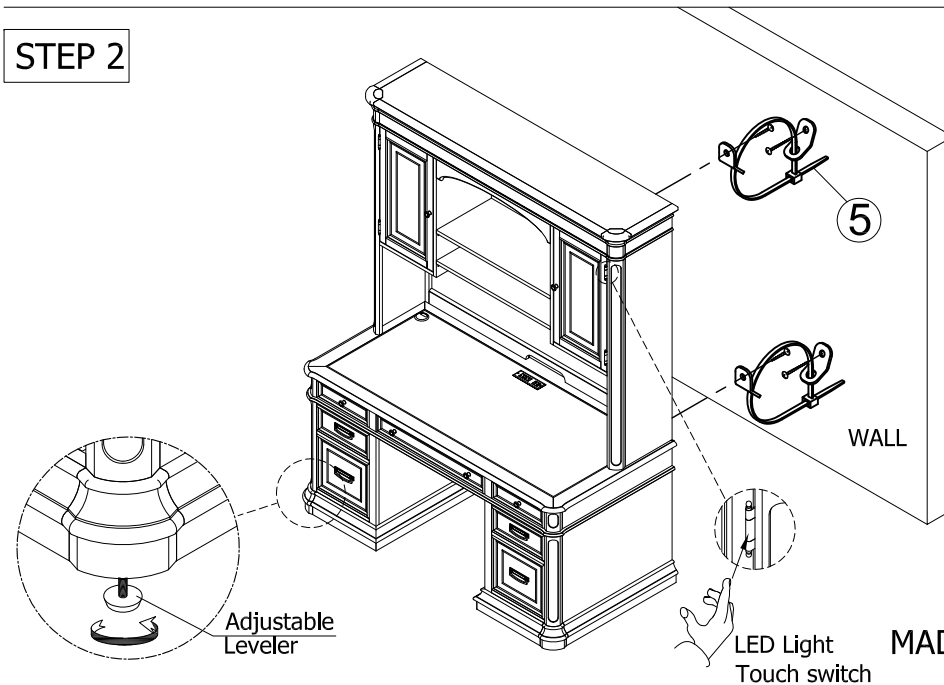
| NO. | SKETCH | DESCRIPTION | Q'TY |
|-----|--------|-----------------------------|------|
| 1 | | Bolt 1/4"x20x0.875" | 2pcs |
| 2 | | Spring Washer 1/4" | 2pcs |
| 3 | | Flat Washer 1/4"x19mm | 2pcs |
| 4 | | Allen key 4mm | 1pc |
| 5 | | Furniture Tipping Restraint | 1set |

ASSEMBLY STEPS

STEP 1



STEP 2



MADE IN VIETNAM

Read instructions cover to cover

Have two adults on hand for assembly

Do not assemble on flooring or carpet. Assemble on a clean non-marring surface (ex: packing foam)

Save all packaging until assembly is completed

LED Light
Touch switch