

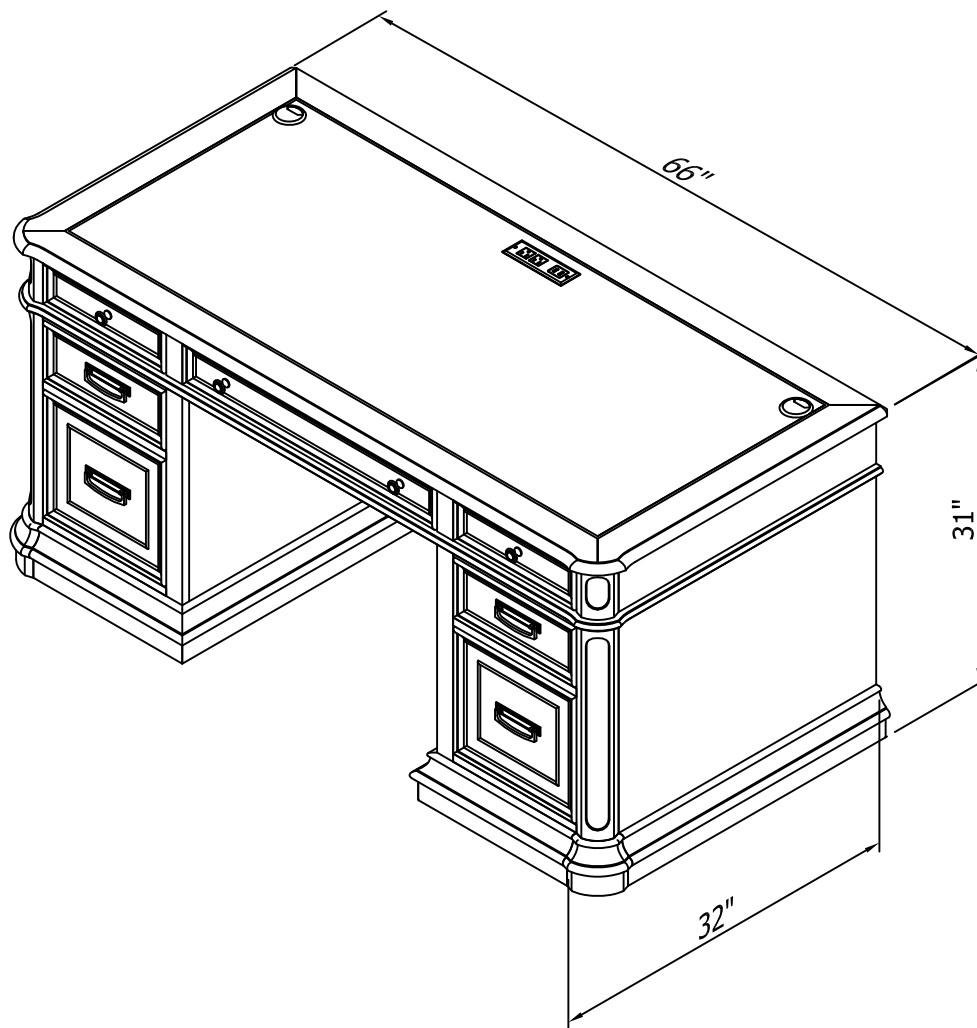


ROANOKE BLACK EXECUTIVE DESK TOP/BASE

REN-H360-30/35

ROANOKE

ASSEMBLY INSTRUCTIONS



MADE IN VIETNAM

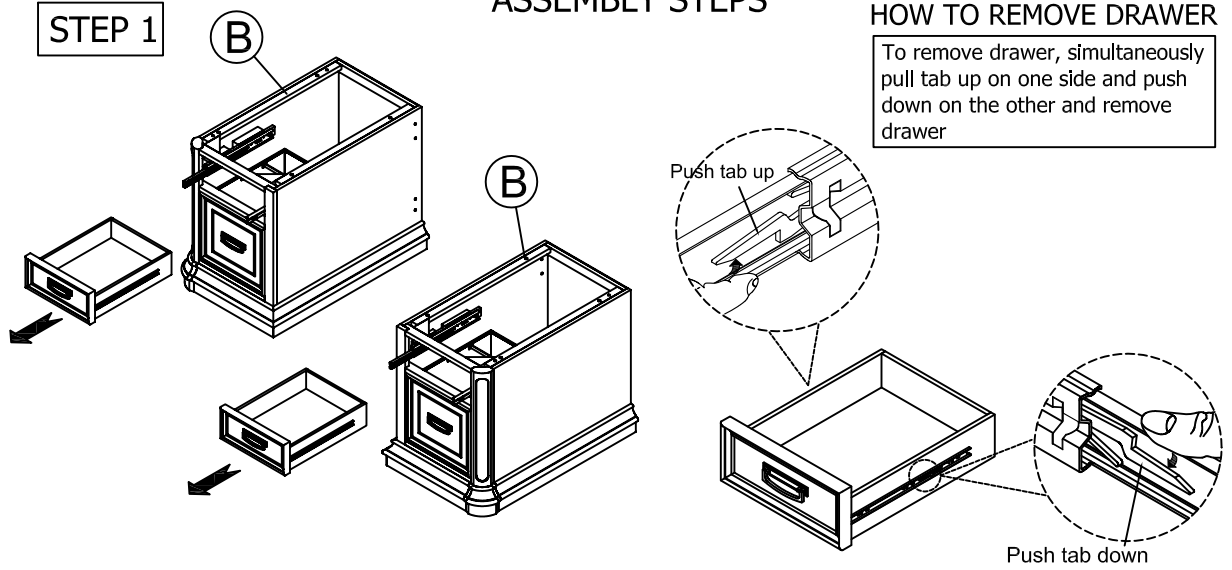
PARTS LIST

NO.	SKETCH	DESCRIPTION	Q'TY
A		Top	1pc
B		Base Left/ Righth	2pcs
C		Back panel	1pc

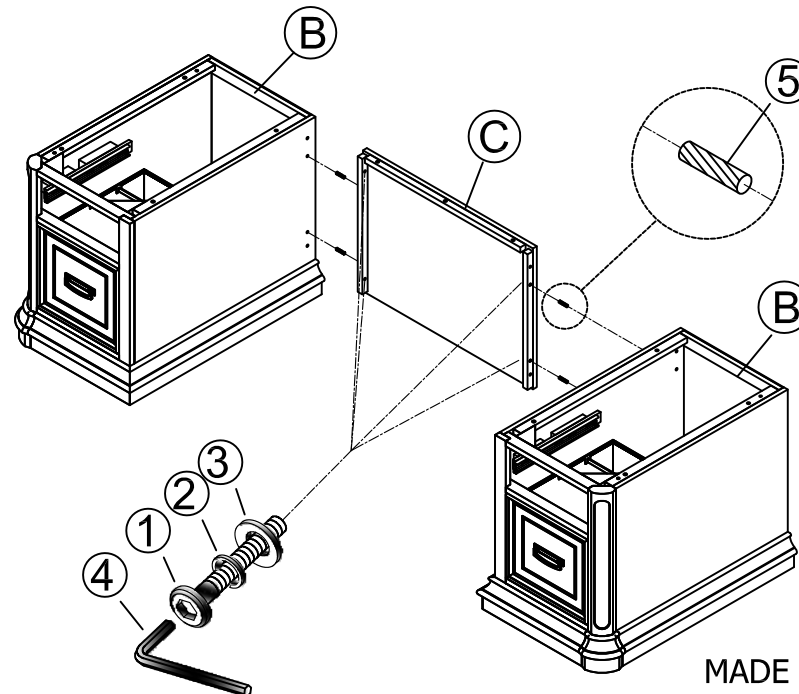
HARDWARE LIST

NO.	SKETCH	DESCRIPTION	Q'TY
1		Bolt 1/4"x20x1-1/2"	15pcs
2		Spring Washer 1/4"	15pcs
3		Flat Washer 1/4"x19mm	15pcs
4		Allen key 4mm	1pc
5		Wood dowel ϕ 8x30mm	4pcs

ASSEMBLY STEPS



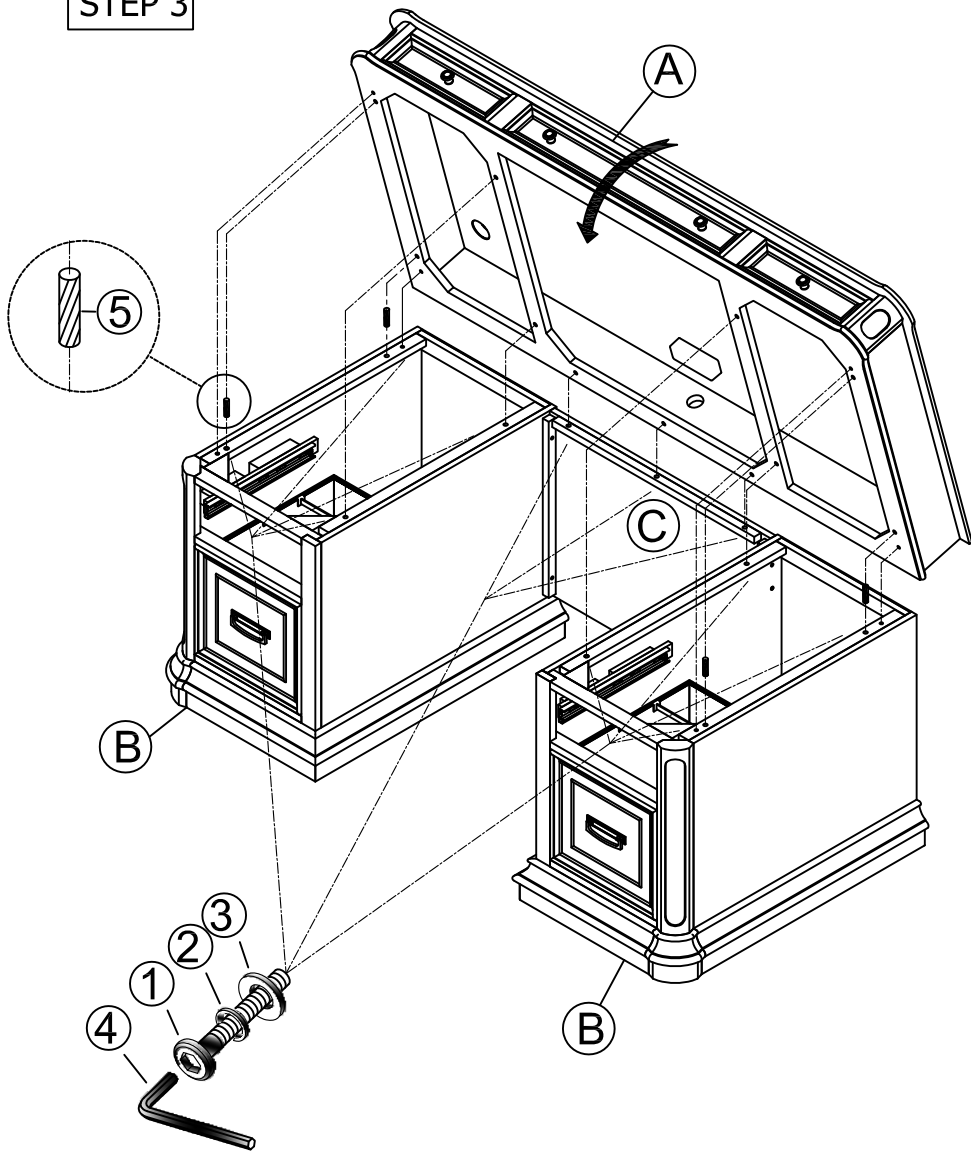
STEP 2



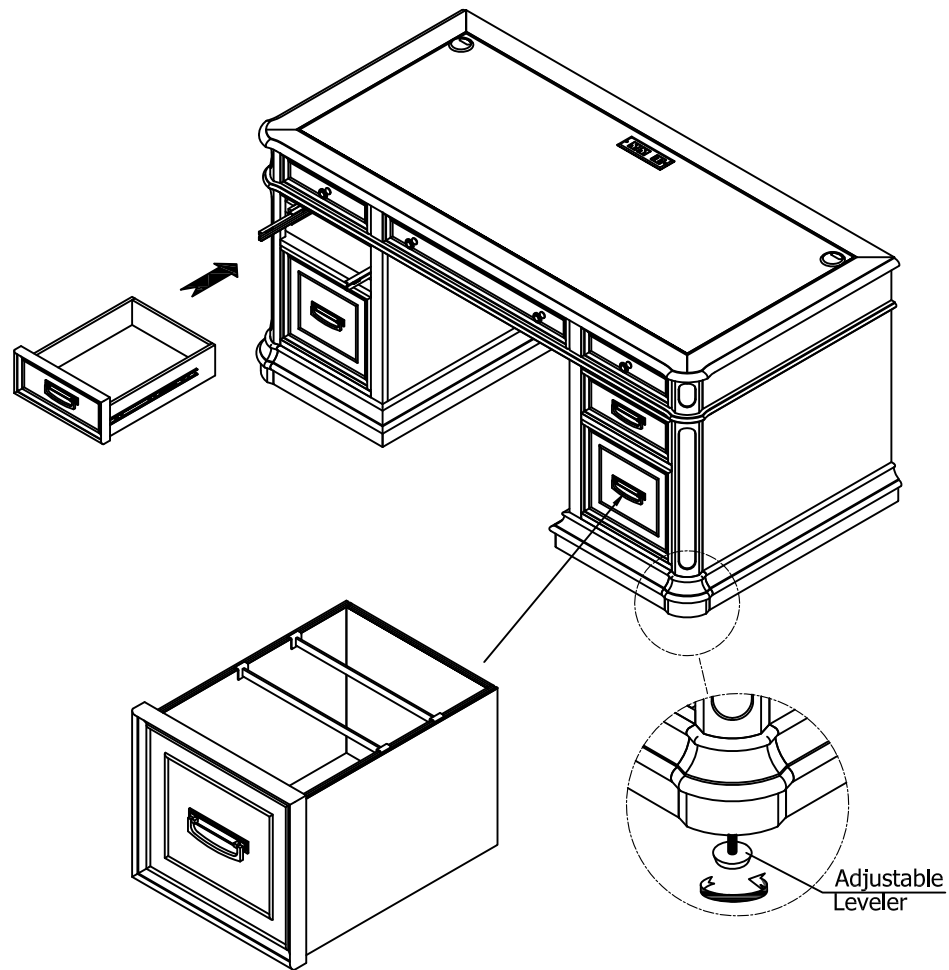
MADE IN VIETNAM

- Read instructions cover to cover
- Have two adults on hand for assembly
- Do not assemble on flooring or carpet. Assemble on a clean non-marring surface (ex: packing foam)
- Save all packaging until assembly is completed

STEP 3



STEP 4



MADE IN VIETNAM

CARE & MAINTENANCE



Do not put hot items directly on furniture surface.



Do not clean furniture with harsh cleansers or polish.



Dust and wipe up spills using a clean, non-colored, lint-free cloth.



Stains may be removed with mild soap solution and a damp cloth.



Do not place furniture under direct sunlight.



Do not place furniture near heating or cooling vents.



Do not write on furniture without a padded barrier to protect the surface.



Do not place furniture outside, for indoor use only.

For direct service pertaining charging stations contract:

Vantage customer service at 844-244-3810