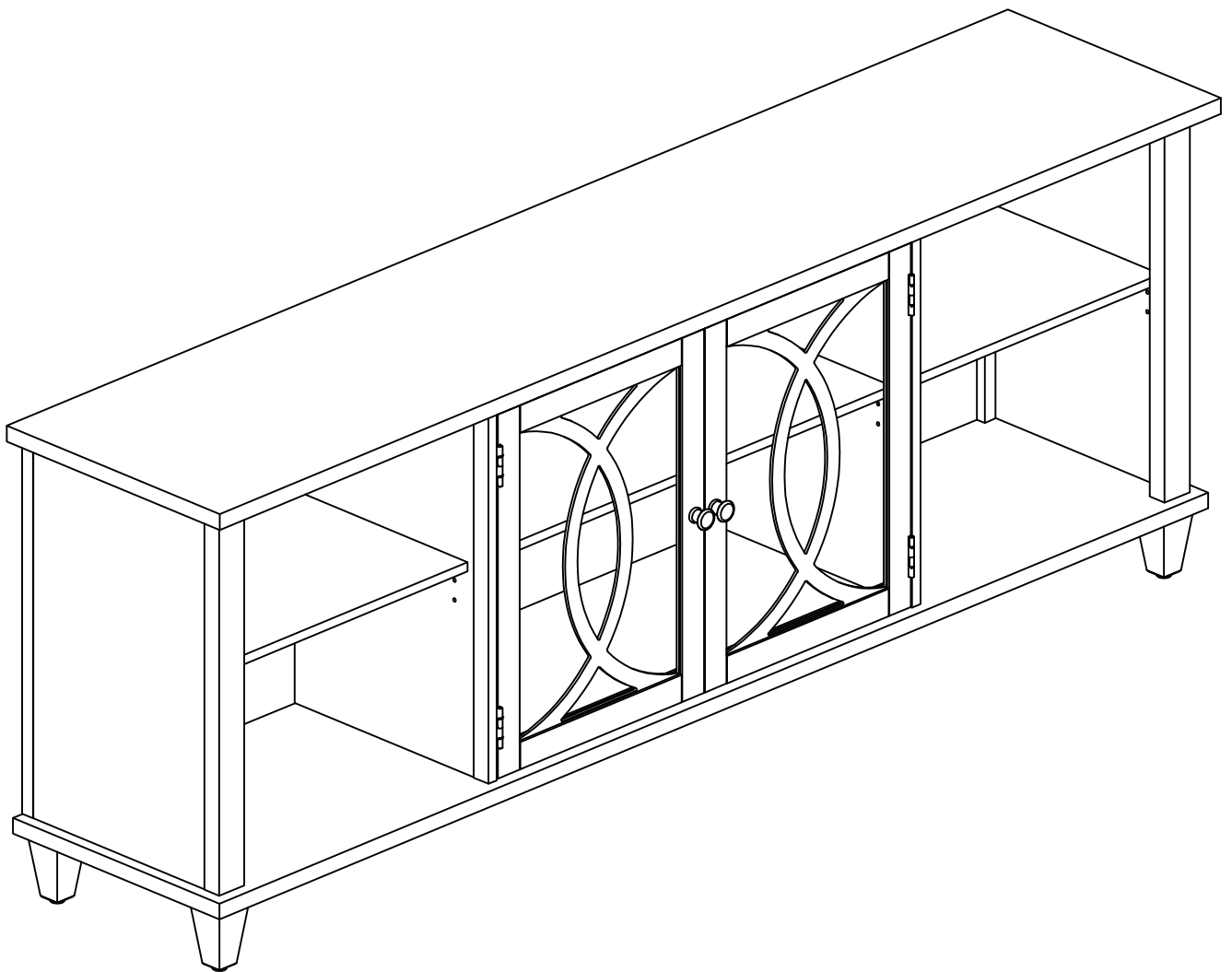


PRESBY CONSOLE 80"

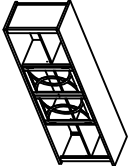

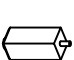


# PRESBY CONSOLE 80"

## ASSEMBLY INSTRUCTIONS

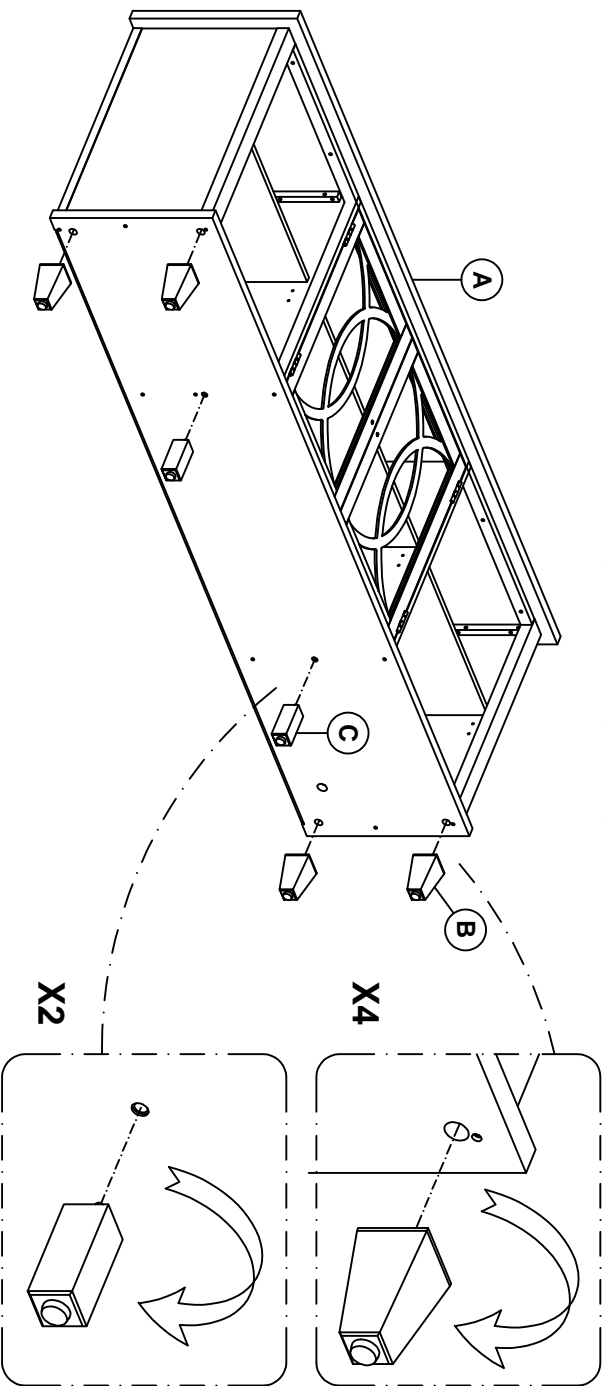


## PARTS LIST


LABLE	PICTURE	DESCRIPTION	QTY
A		TV Console	1
B		Leg	4
C		Support Leg	2

## ASSEMBLY STEPS

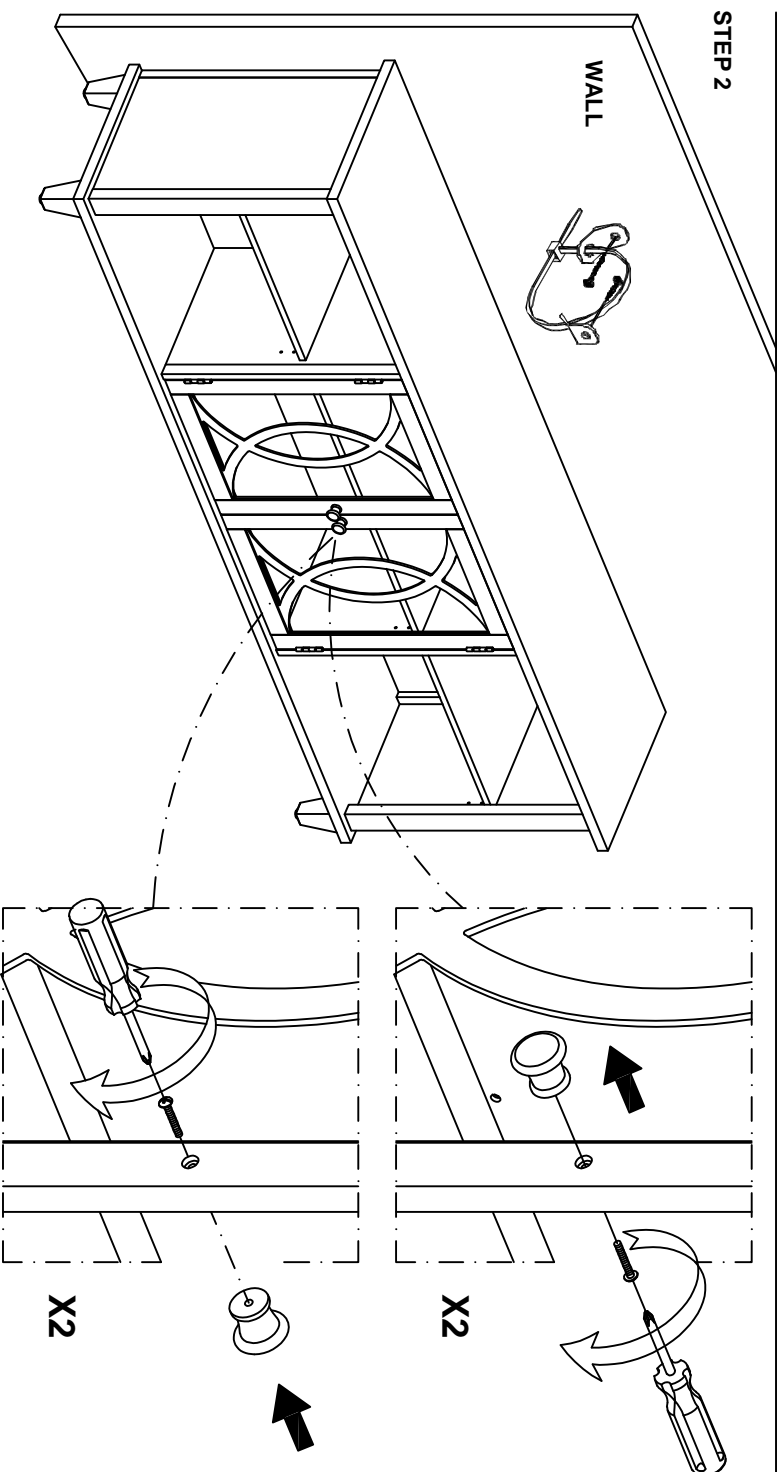
### STEP 1



## HARDWARE

LABLE	PICTURE	DESCRIPTION	QTY
1		Anti Tip Kit	1

### STEP 2



Read instruction cover to cover

Have two adults on hand for assembly

Do not assemble on flooring or carpet. Assemble on a clean non-marring surface (ex: packing foam)

Save all packaging until assembly is complete

## CARE & MAINTENANCE



Do not put hot items directly on furniture surface.



Do not clean furniture with harsh cleansers or polish

Dust and wipe up spills using a clean, non-colored, lint-free cloth.

Stains may be removed with a mild soap solution and a damp cloth.

Do not place furniture under direct sunlight.

Do not place furniture near heating or cooling vents.

Do not write on furniture without a padded barrier to protect the surface.

Do not place furniture outside, for indoor use only.