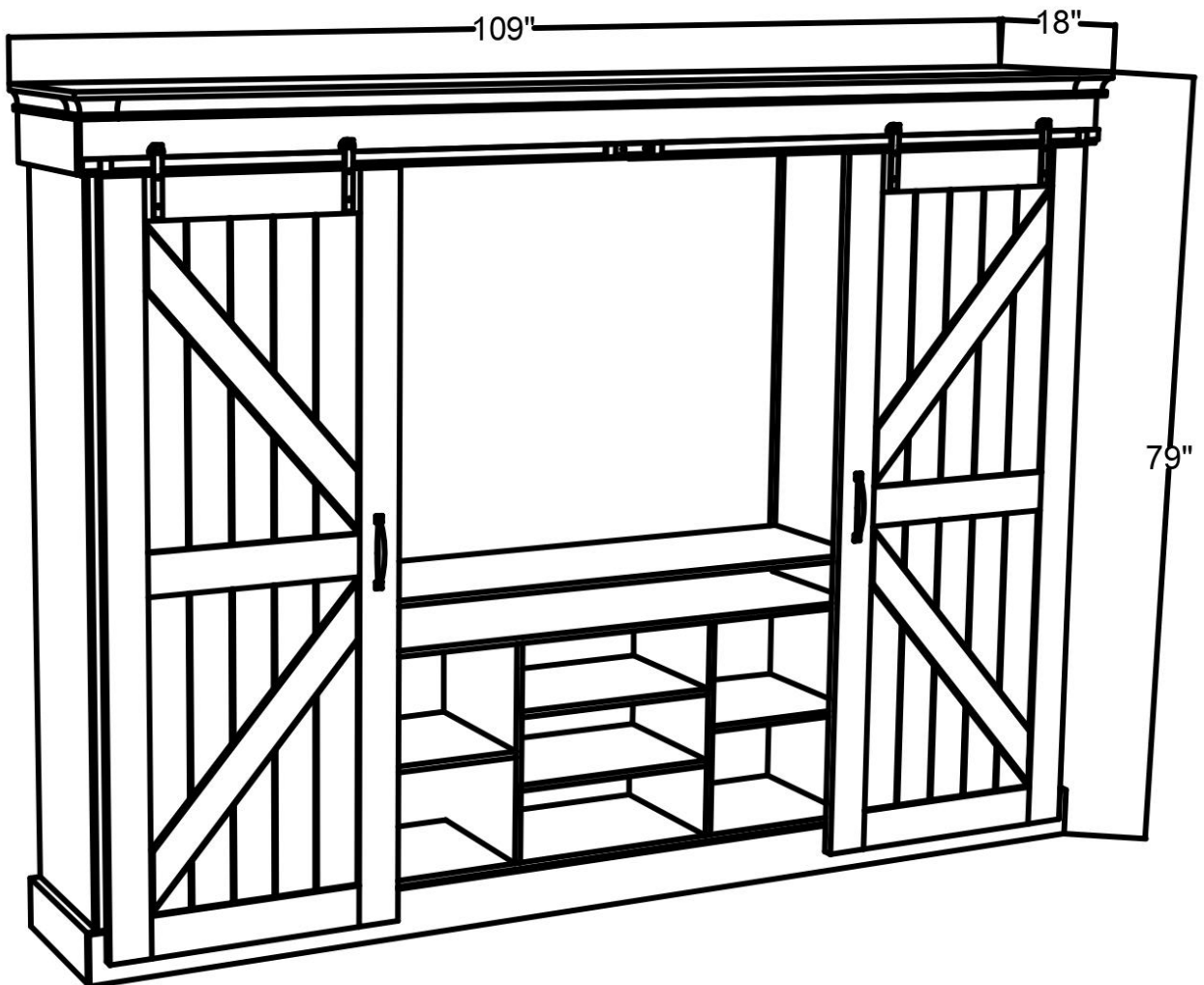







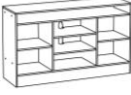



# **HARRISON**

# **ENTERTAINMENT CENTER**

## ASSEMBLY INSTRUCTIONS

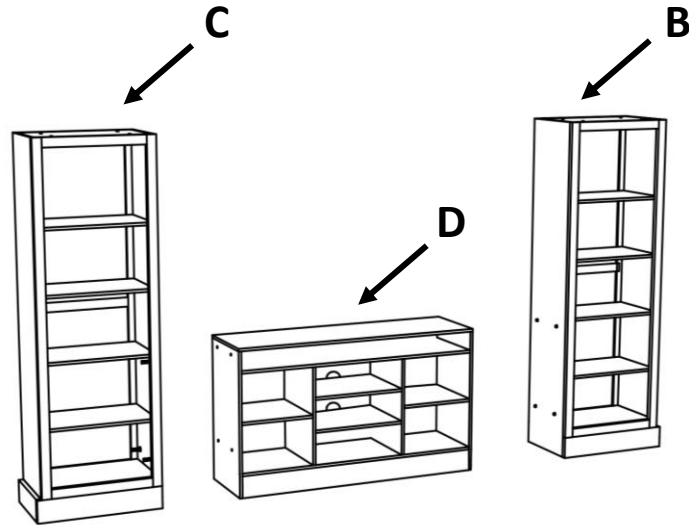


## PARTS LIST

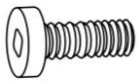
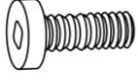
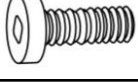



| LABEL | PICTURE   | DESCRIPTION          | QTY |
|-------|---|----------------------|-----|
| A     |  | BRIDGE SHELF         | 1   |
| B     |  | RIGHT PIER           | 1   |
| C     |  | LEFT PIER            | 1   |
| D     |  | CONSOLE              | 1   |
| E     |  | DOORS                | 2   |
| F     |  | SLIDING TRACK        | 1   |
| G     |  | SLIDING DOOR BRACKET | 4   |

## ASSEMBLY STEPS

### STEP 1



## HARDWARE

| LABEL | PICTURE   | DESCRIPTION             | QTY |
|-------|---|-------------------------|-----|
| 1     |  | ALLEN BOLT<br>6 X 50 MM | 7   |
| 2     |  | ALLEN BOLT<br>6 X 30 MM | 16  |
| 3     |  | ALLEN BOLT<br>6 X 20 MM | 8   |
| 4     |  | WASHER<br>6 X 16 MM     | 15  |
| 5     |  | WASHER<br>8 X 20 MM     | 16  |
| 6     |  | ALLEN KEY<br>4 MM       | 1   |



*Read instructions cover to cover*



*Have two adults on hand for assembly*

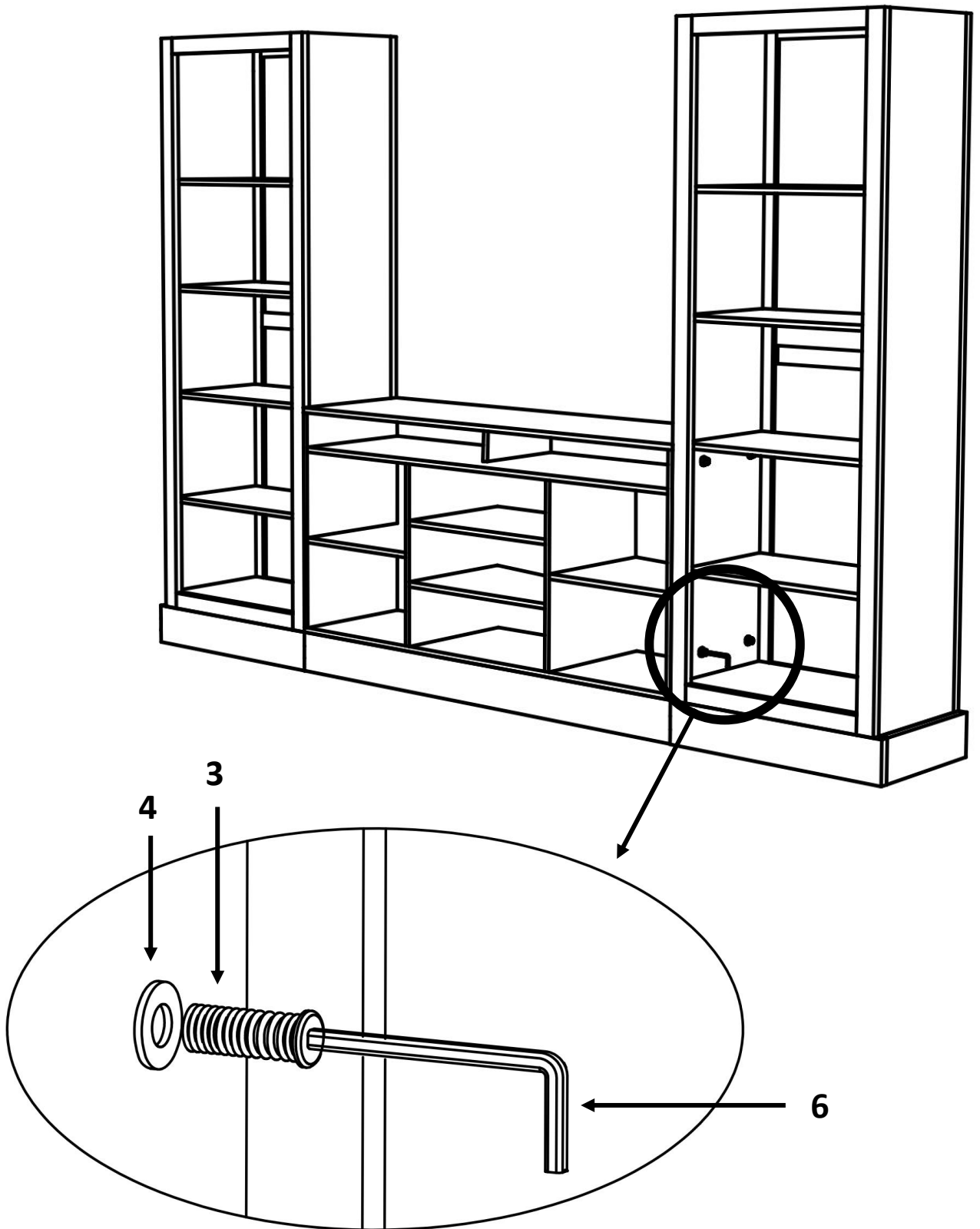


*Do not assemble on flooring or carpet. Assemble on a clean non-marring surface (ex: packing foam)*



*Save all packaging until assembly is completed*

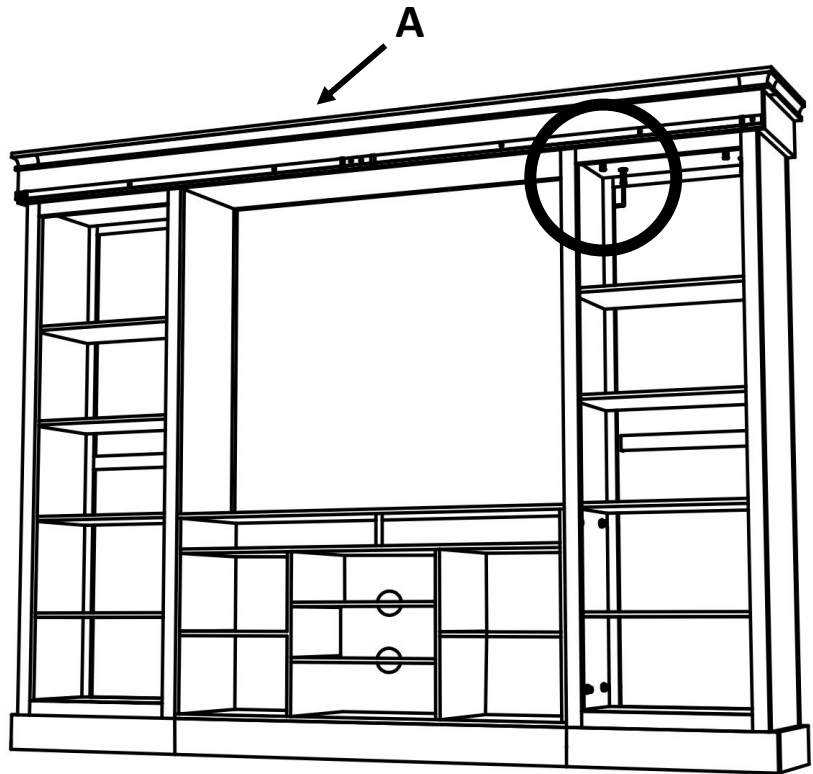
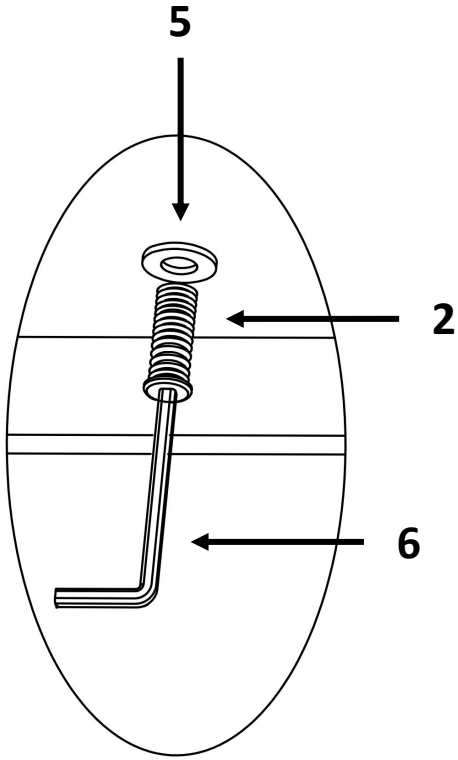
**STEP 2: Attach the piers at each side**



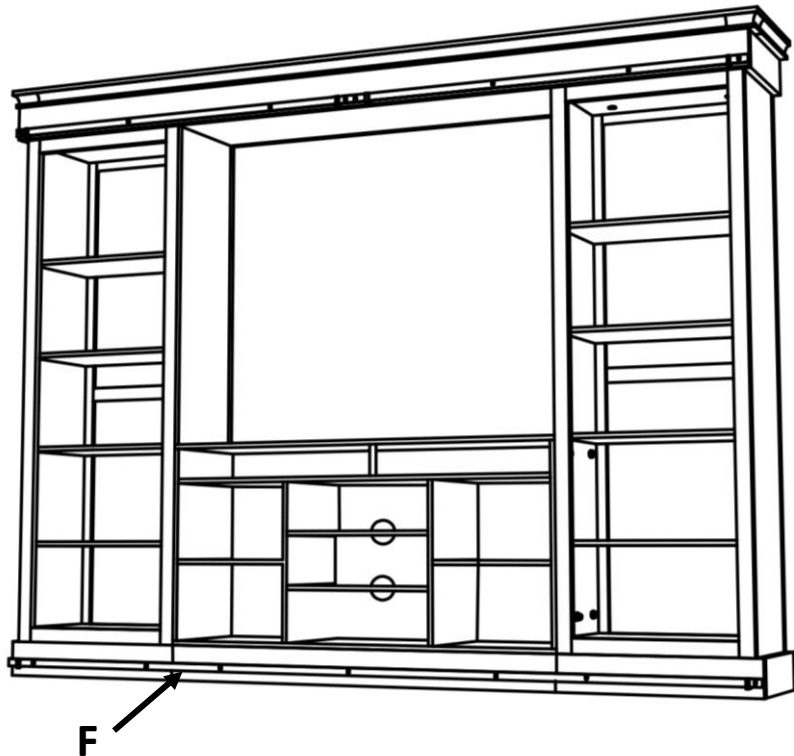
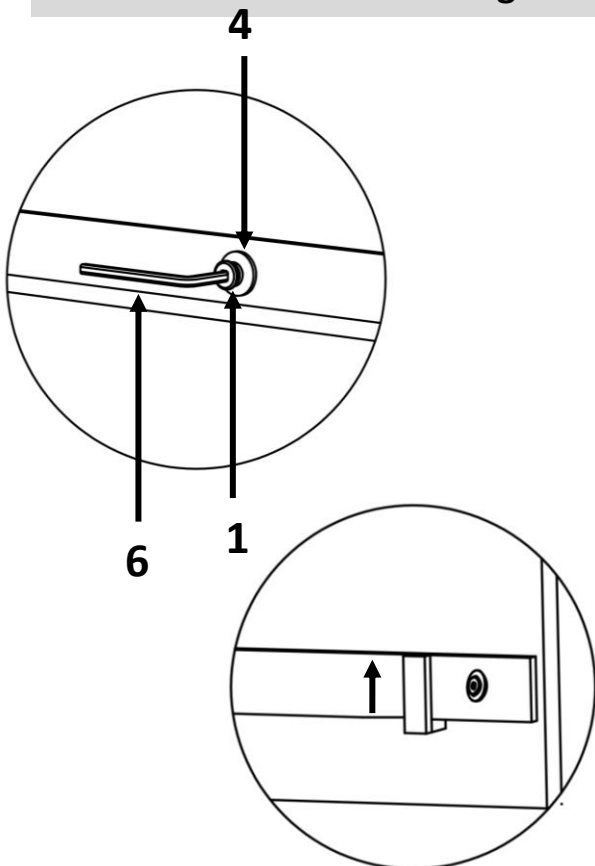
**NOTE: FIRST TIGHTEN THE BOLTS HALF-WAY, THEN DOUBLE CHECK THAT EVERYTHING IS ALIGNED. ONCE EVERYTHING IS ALIGNED, PROCEED WITH TIGHTENING THE BOLTS FULLY.**

**ALSO ADJUST THE GLIDERS ACCORDING TO THE ROOM FLOOR.**

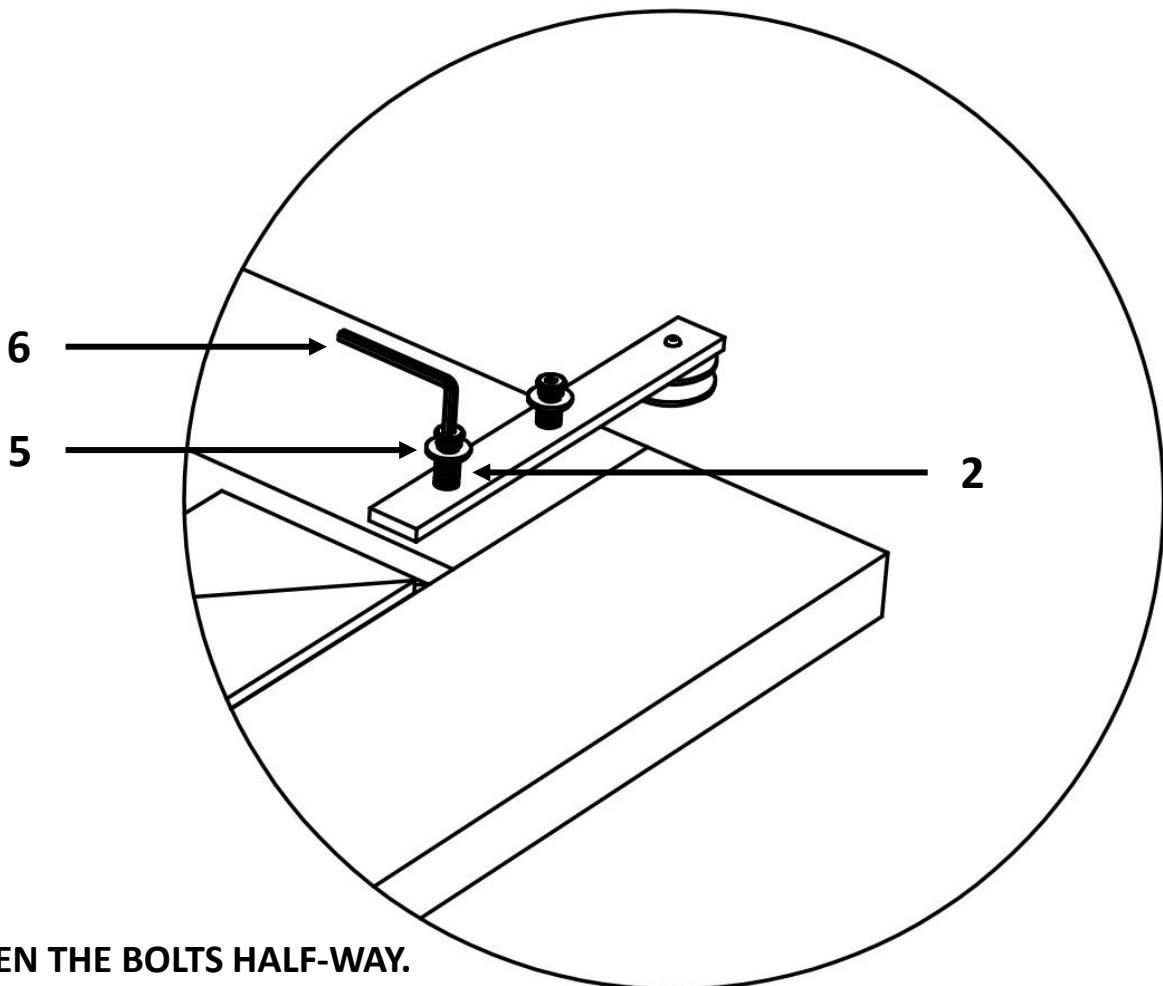
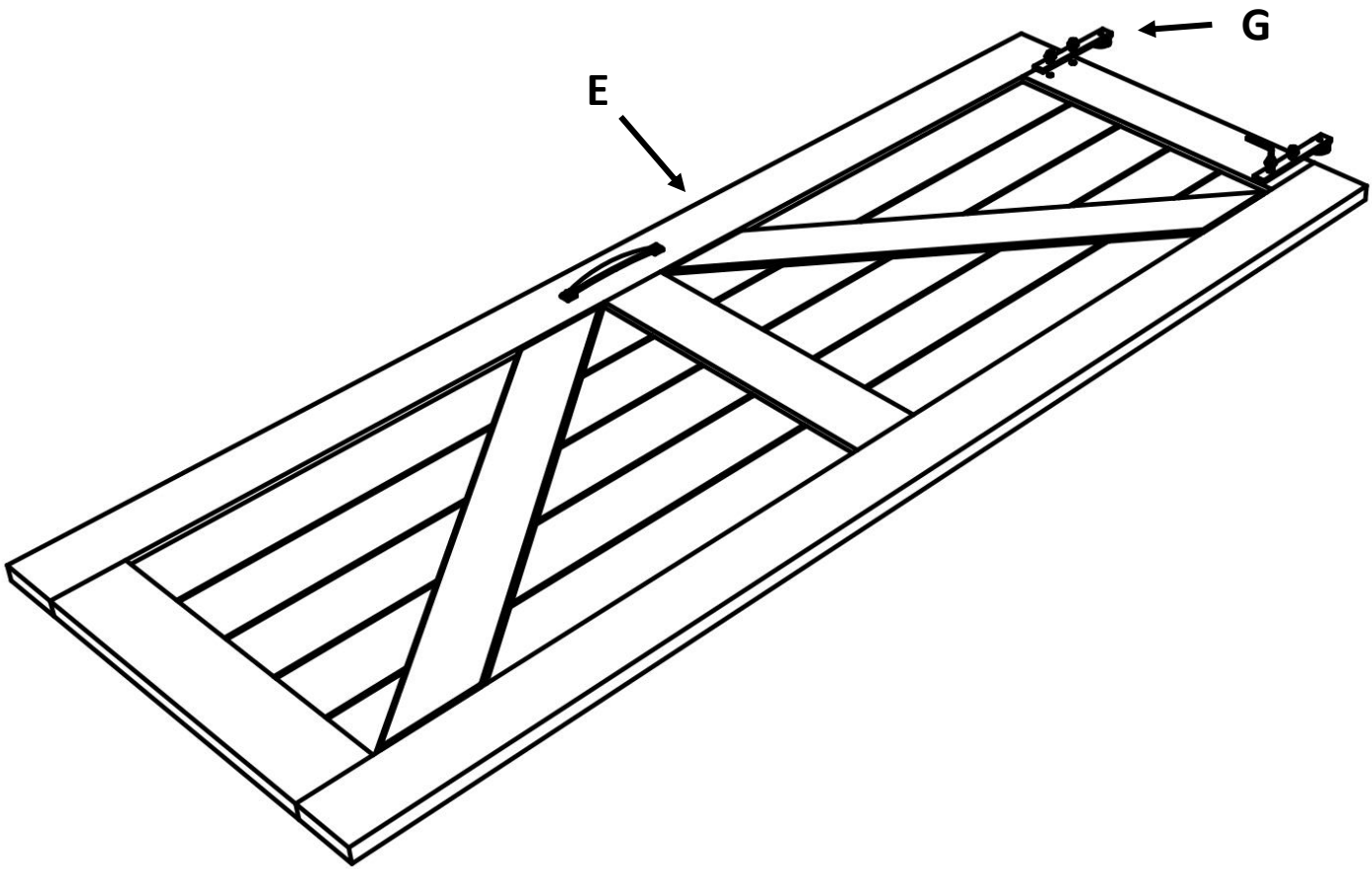
**STEP 3: Attach the bridge shelf**



**STEP 4: Attach the sliding track at the bottom. Ensure to follow the upward facing arrows marked on the track.**

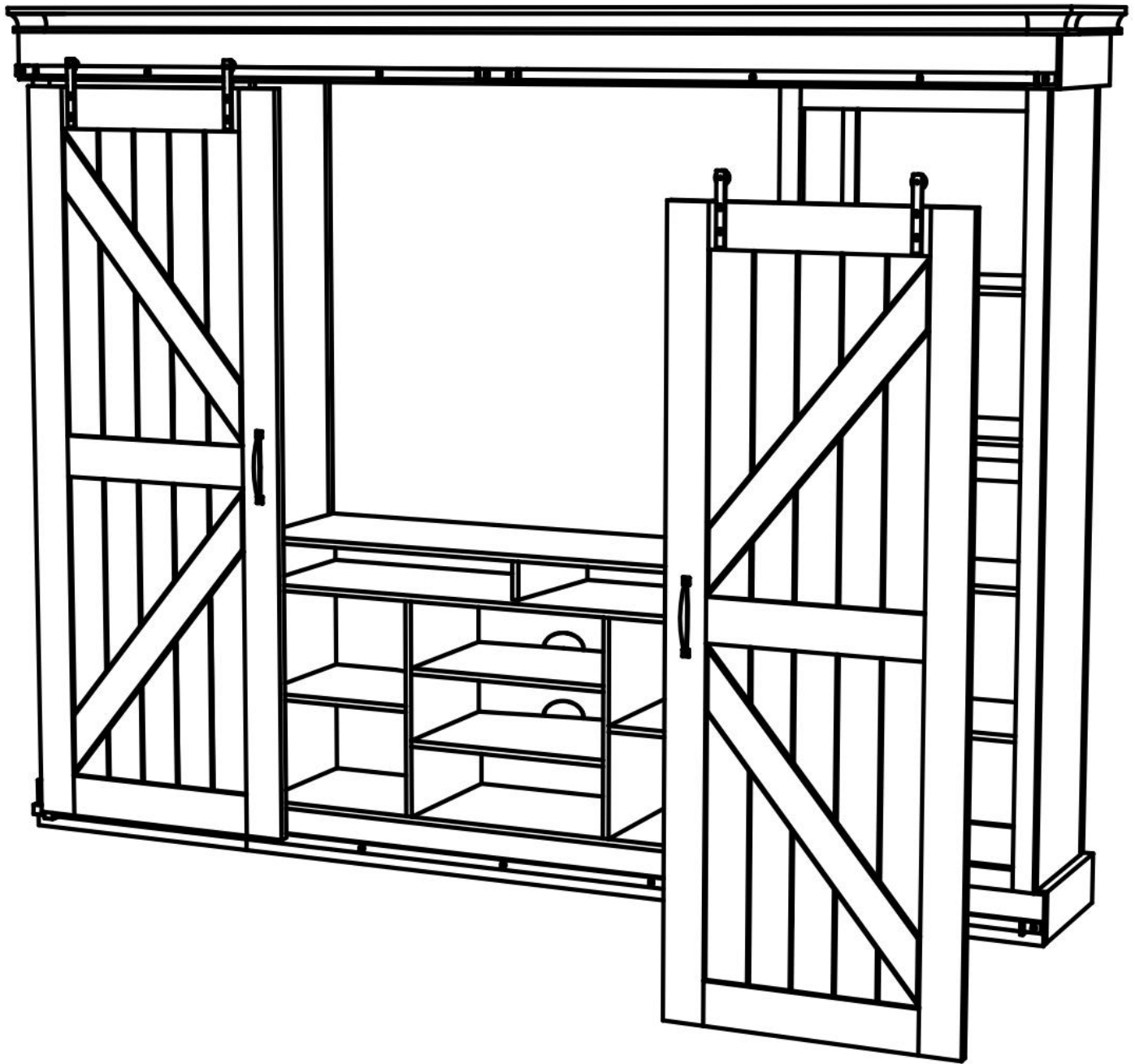


**STEP 5: Assemble the wheels onto the doors**



**NOTE: TIGHTEN THE BOLTS HALF-WAY.**

**STEP 6: Hang the doors**



**NOTE: AFTER HANGING THE DOORS, ALLOW GRAVITY TO STRAIGHTEN THE BRACKETS.**

**ONCE STRAIGHT, TIGHTEN ALL THE BOLTS COMPLETELY.**