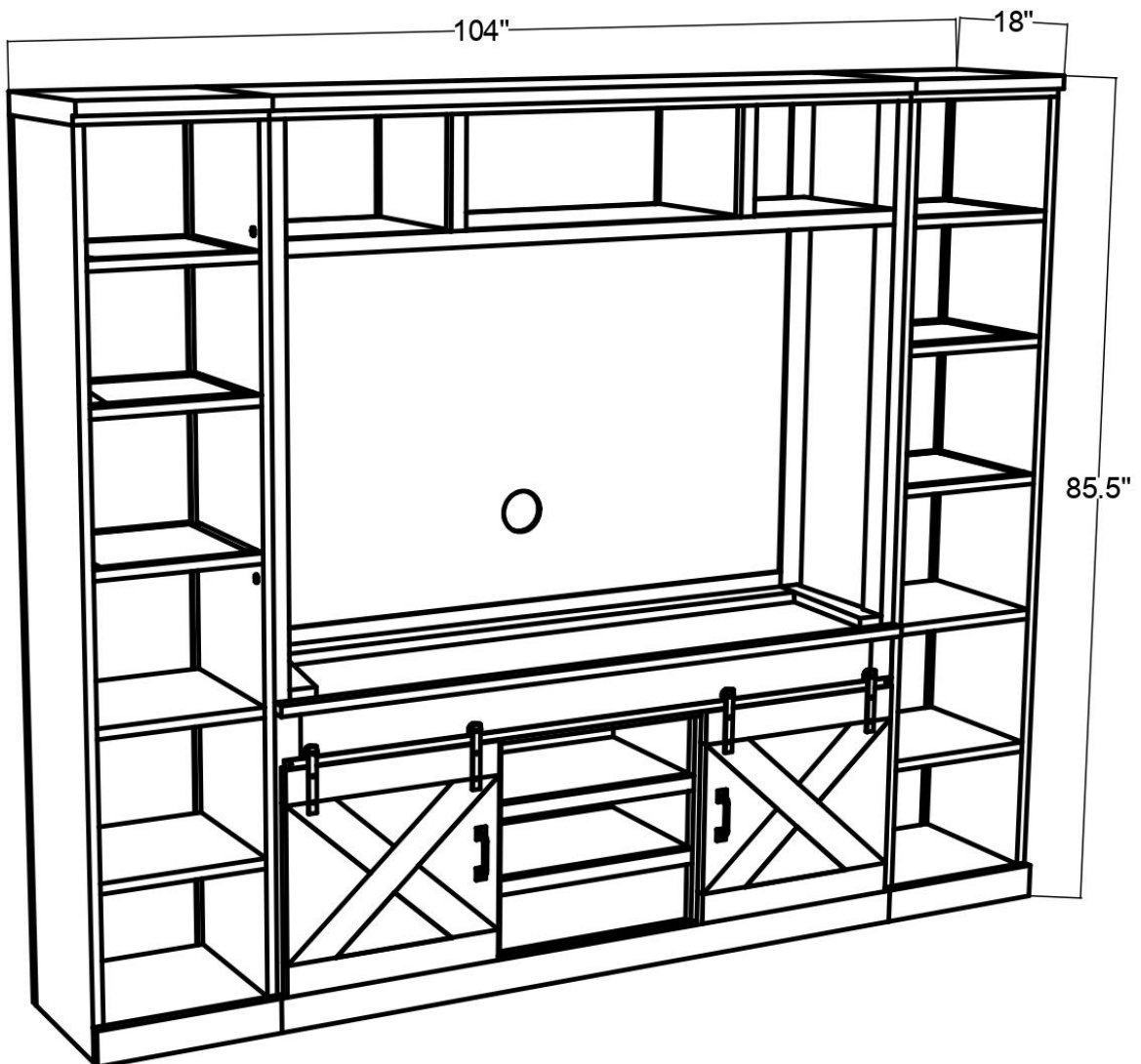



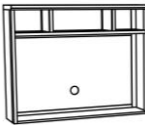



DAWSON WALL UNIT

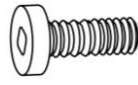
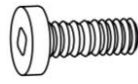





ASSEMBLY INSTRUCTIONS



PARTS LIST

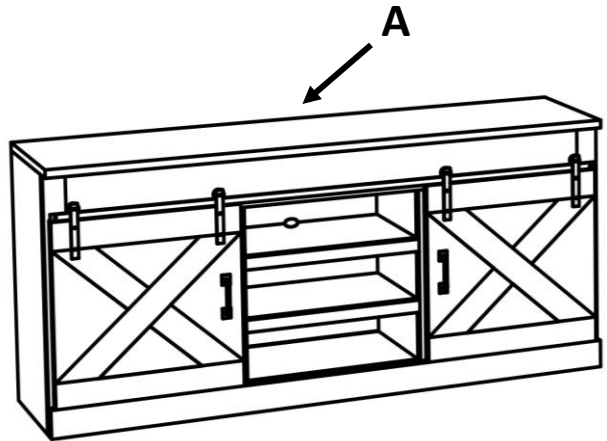
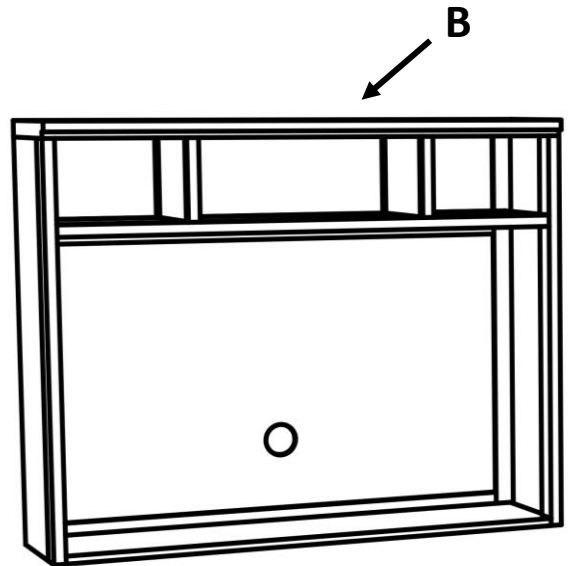
| LABEL | PICTURE | DESCRIPTION | QTY |
|-------|---|-------------|-----|
| A |  | CONSOLE | 1 |
| B |  | HUTCH | 1 |
| C |  | PIER | 2 |

HARDWARE

| LABEL | PICTURE | DESCRIPTION | QTY |
|-------|---|-------------------------|-----|
| 1 |  | ALLEN BOLT 6 X 20 MM | 12 |
| 2 |  | ALLEN BOLT 8 X 30 MM | 4 |
| 3 |  | WASHER 8 X 20 MM | 16 |
| 4 |  | ALLEN KEY 4 MM | 1 |
| 5 |  | ALLEN KEY 5 MM | 1 |
| 6 |  | CONNECTING BRACKET | 4 |
| 7 |  | SCREW 5 X 30 MM | 4 |

ASSEMBLY STEPS

STEP 1



Read instructions cover to cover



Have two adults on hand for assembly

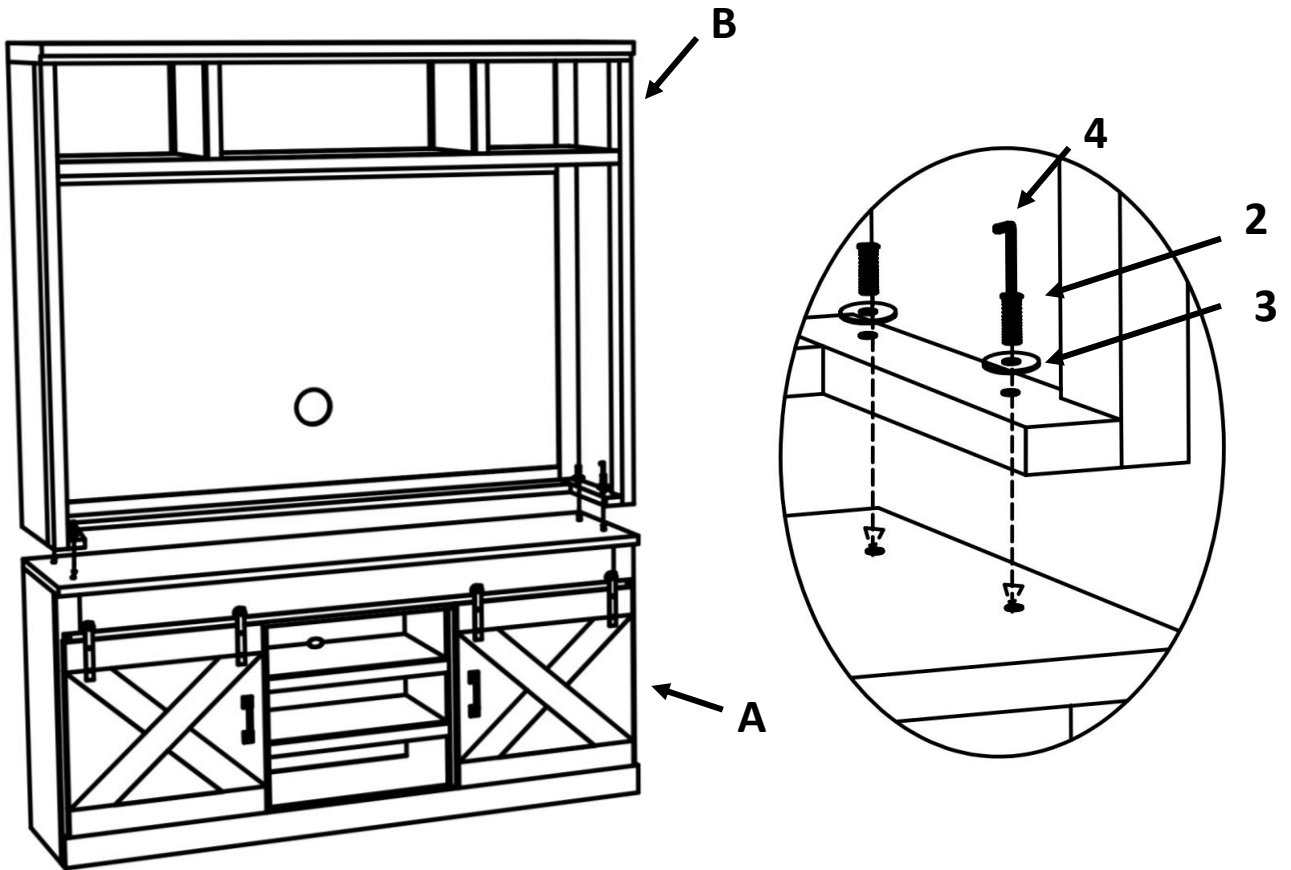


Do not assemble on flooring or carpet. Assemble on a clean non-marring surface (ex: packing foam)

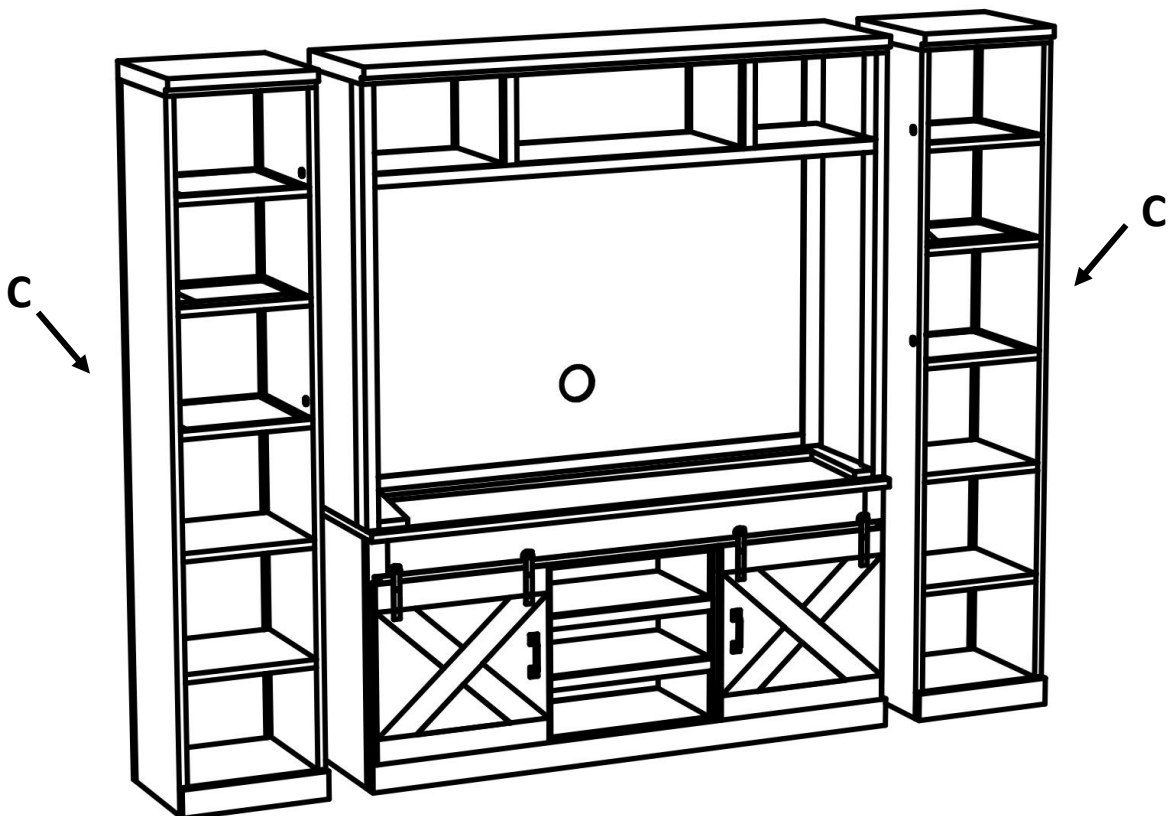


Save all packaging until assembly is completed

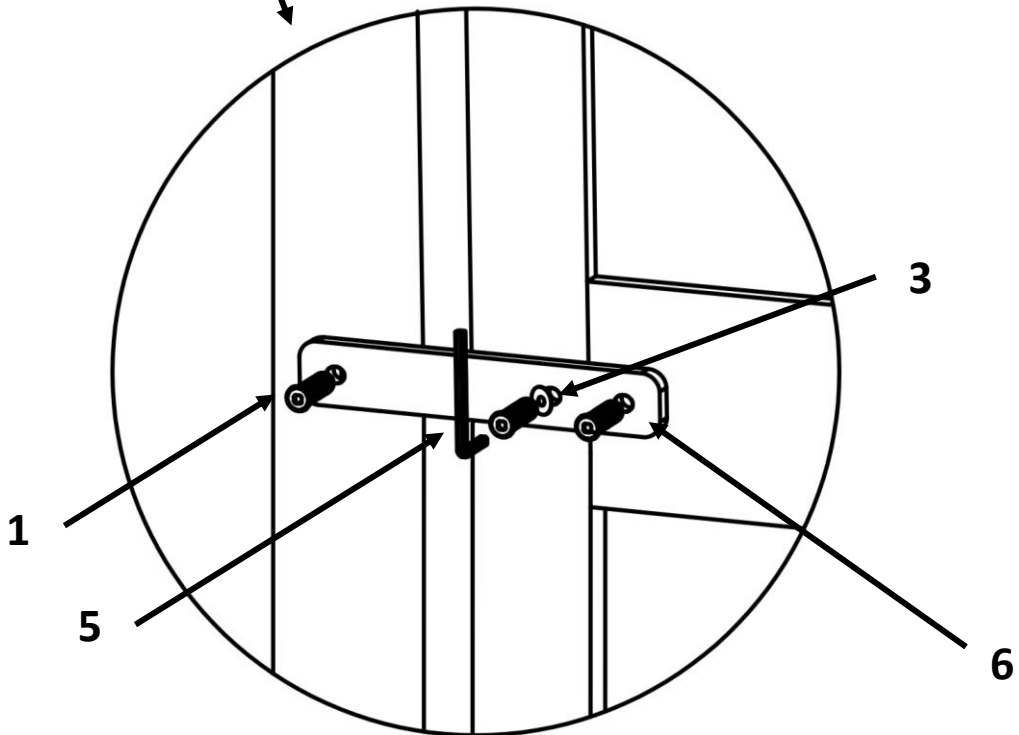
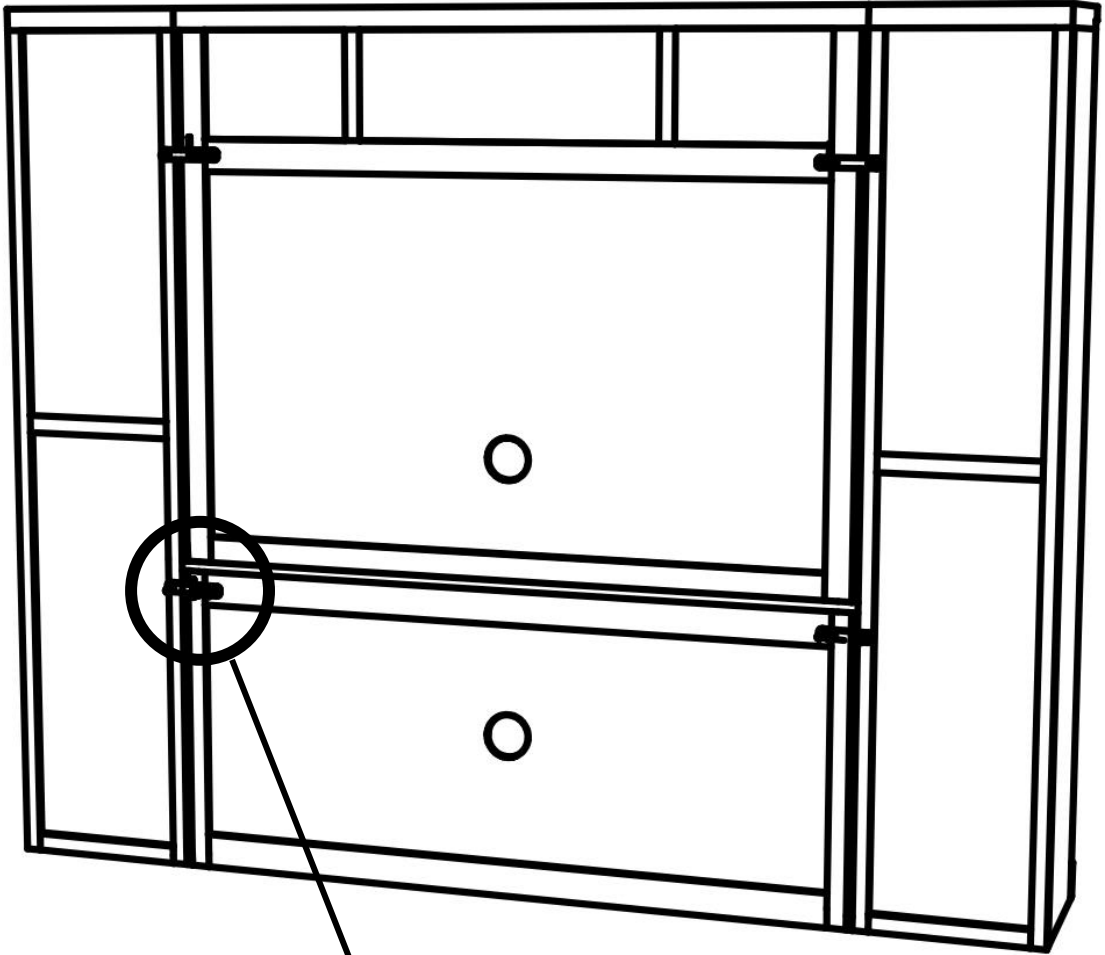
STEP 2: Fix the hutch to the console



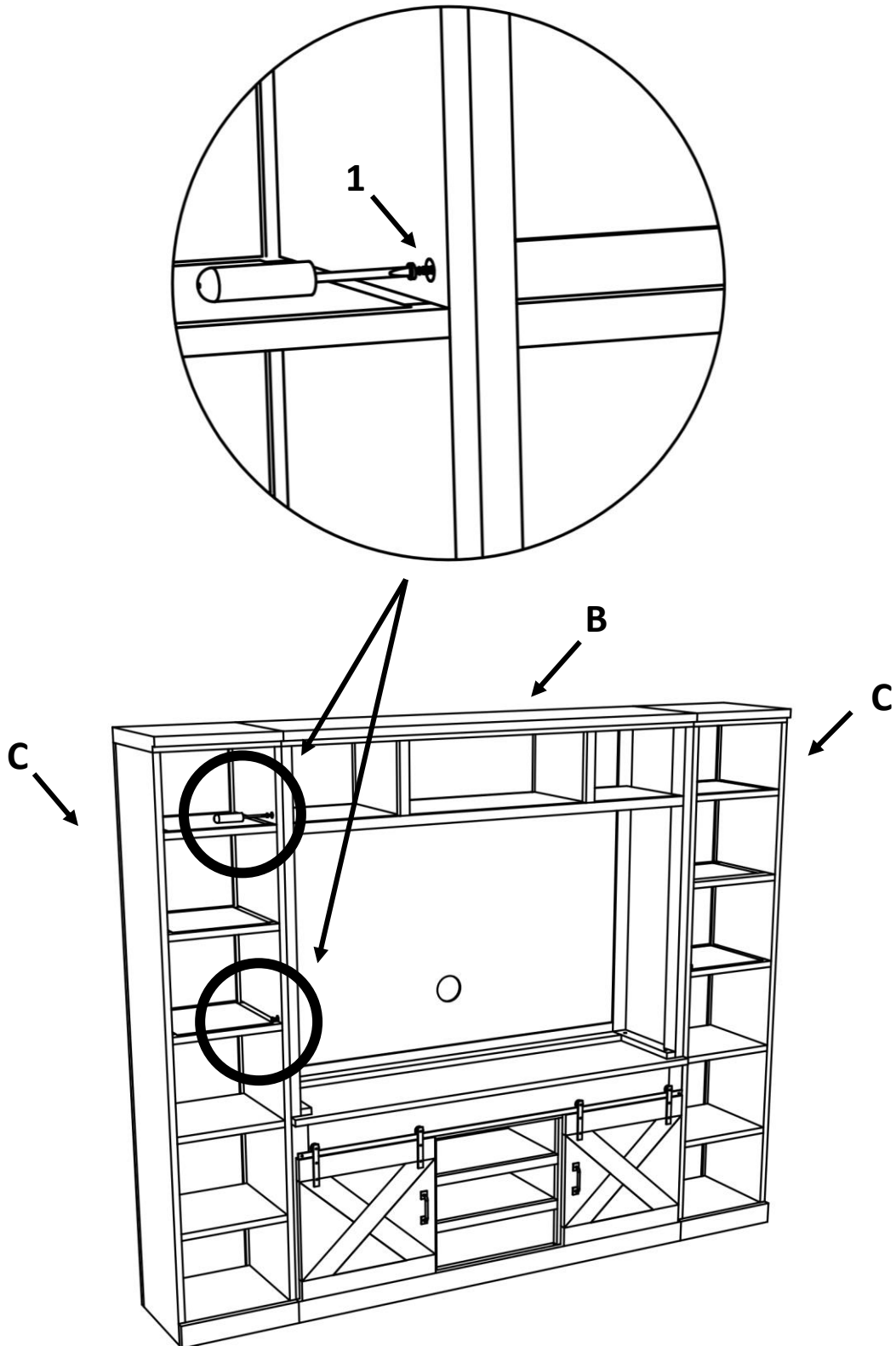
STEP 3: Unpack the piers at each side for assembly



STEP 4: Fix the connecting brackets at the back to join the piers and wall unit



STEP 5: Screw each pier to the hutch



STEP 6: Connect the second light with the help of splitter cable provided

