

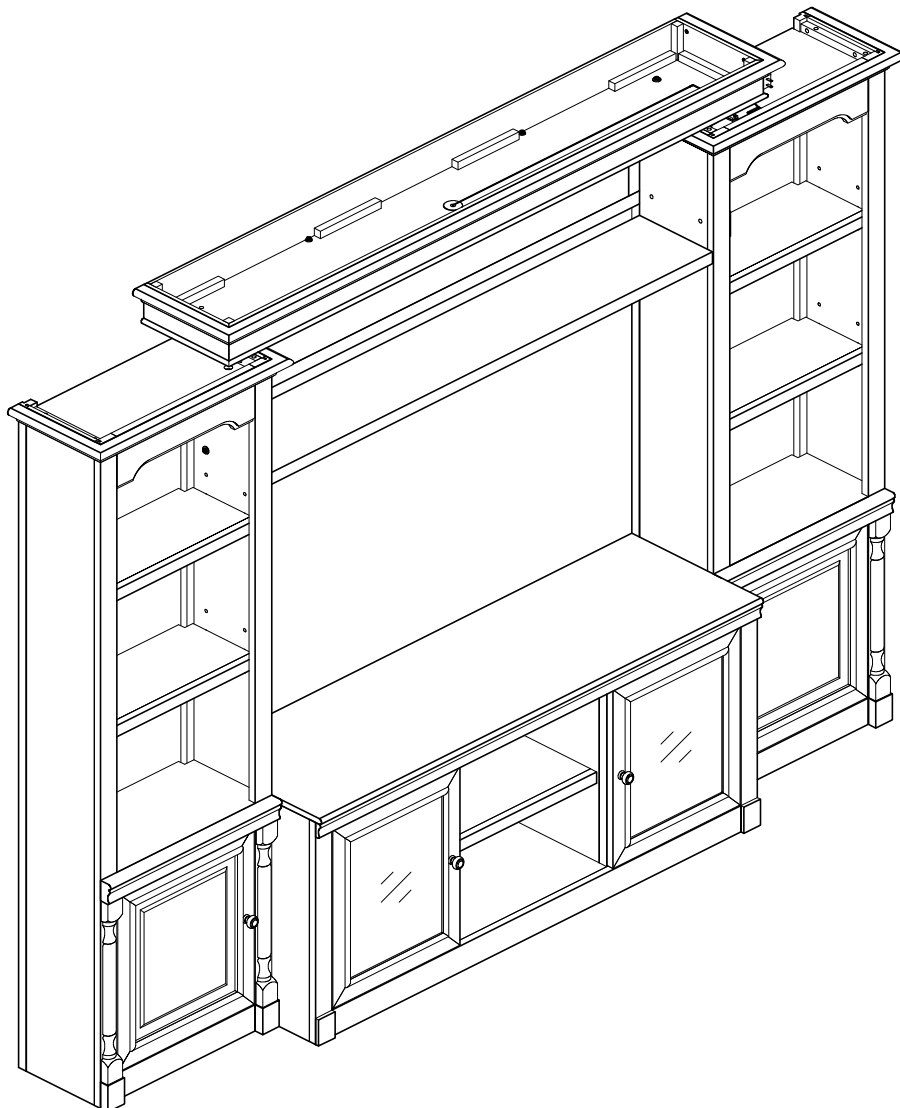


VIRGINIA ENTERTAINMENT CENTER
REN-E1036/ REN-E1037/ REN-E1038

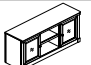
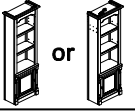
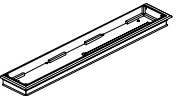
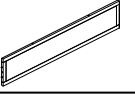

RENEGADE
Furniture Group

VIRGINIA









ASSEMBLY INSTRUCTIONS



PARTS LIST

LABEL	PICTURE	DESCRIPTION	QTY
A		TV Console	1
B		Left/ Right Buffet	2
C		Top	1
D		Shelf	1
E		Back Frame	1

HARDWARE

LABEL	PICTURE	DESCRIPTION	QTY
1		Bolt 1/4" x 50mm	2
2		Bolt 1/4" x 35mm	10
3		Spring Washer	12
4		Flat Washer	12
5		Allen Key	1
6		Metal bracket	4
7		Screws	8
8		Anti Tip Kit	2



Read instructions cover to cover



Have two adults on hand for assembly



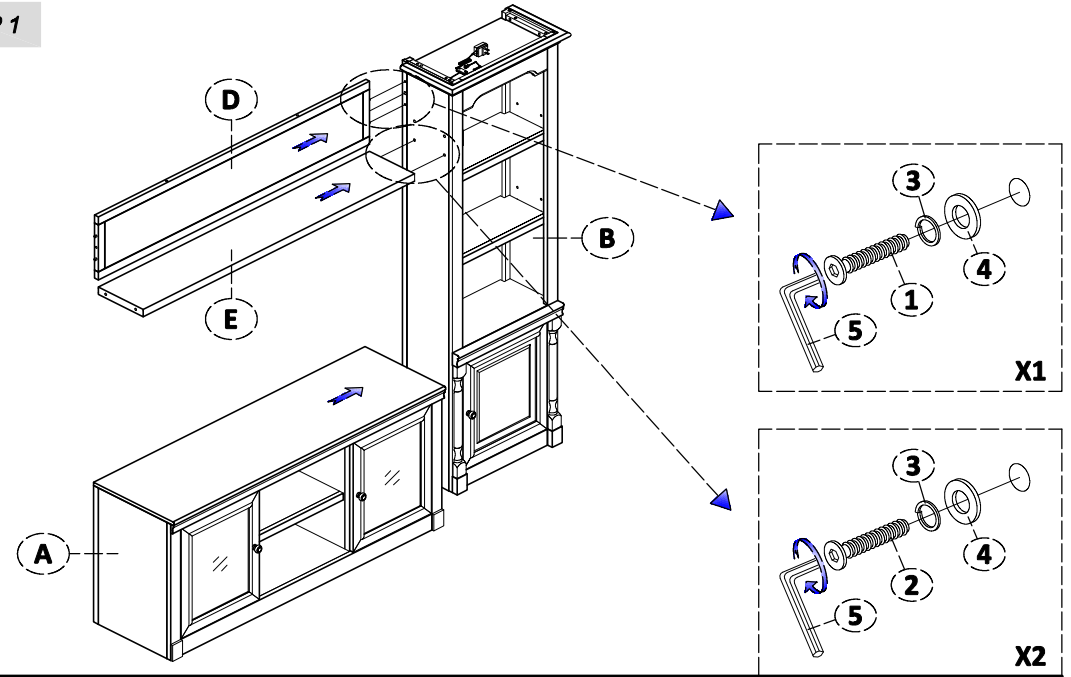
Do not assemble on flooring or carpet. Assemble on a clean non-marring surface (ex: packing foam)



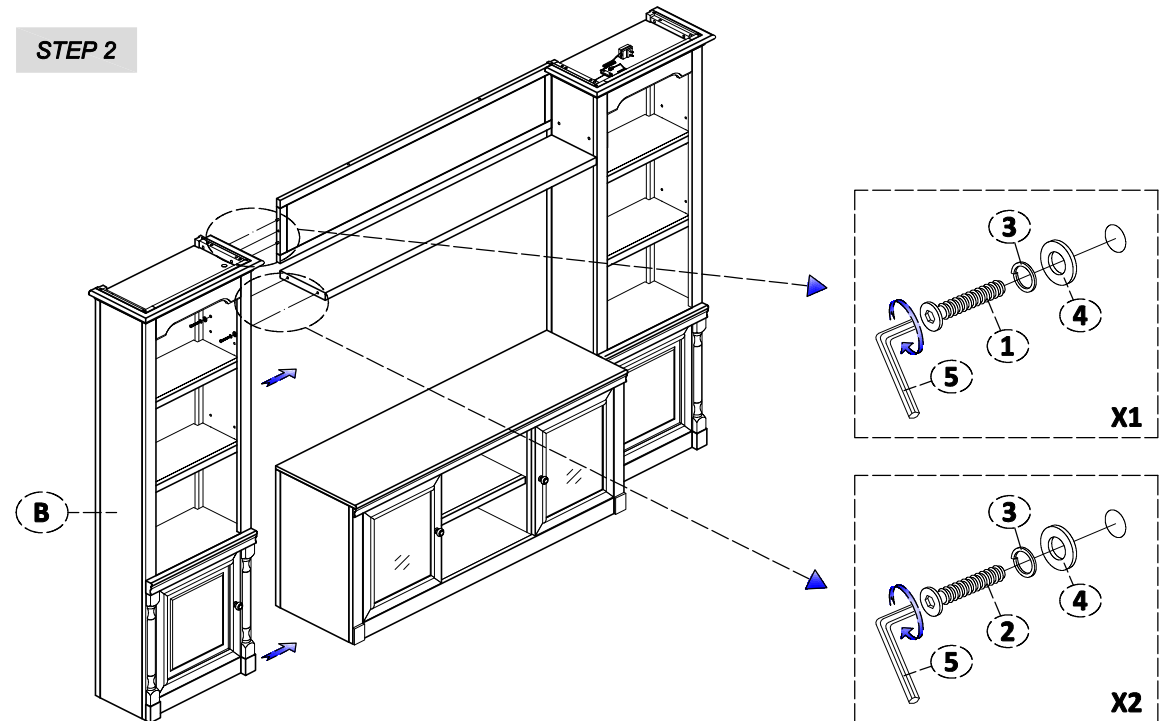
Save all packaging until assembly is completed

ASSEMBLY STEPS

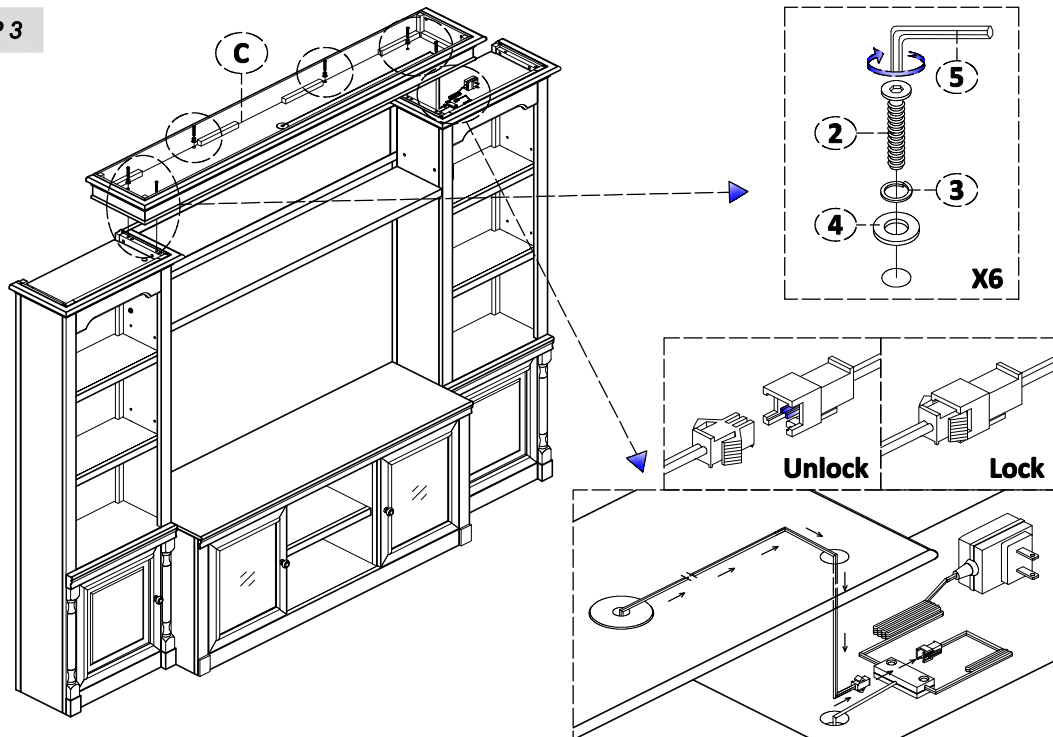
STEP 1



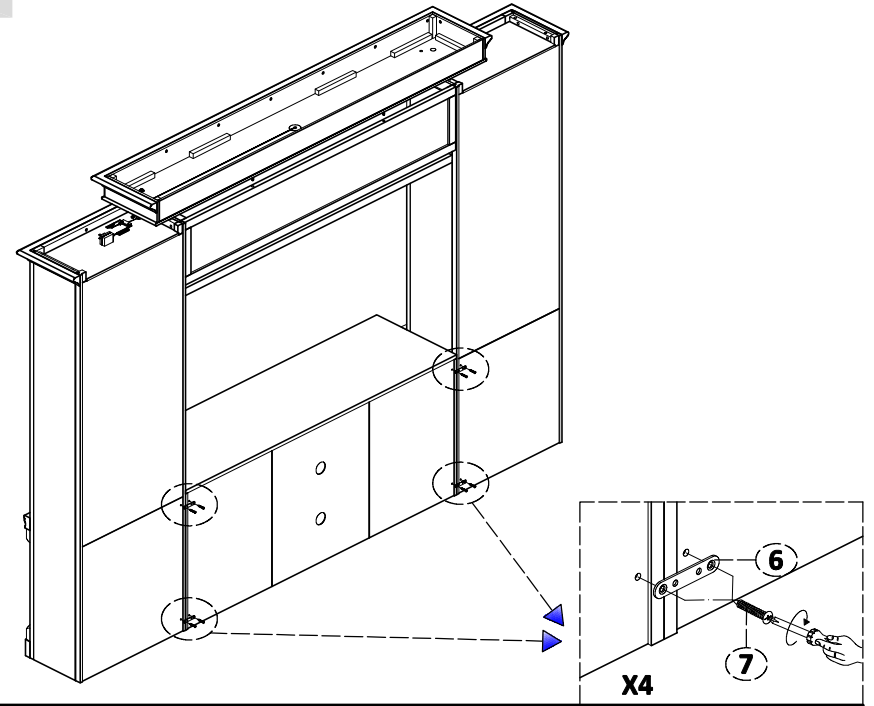
STEP 2



STEP 3



STEP 4



STEP 5

