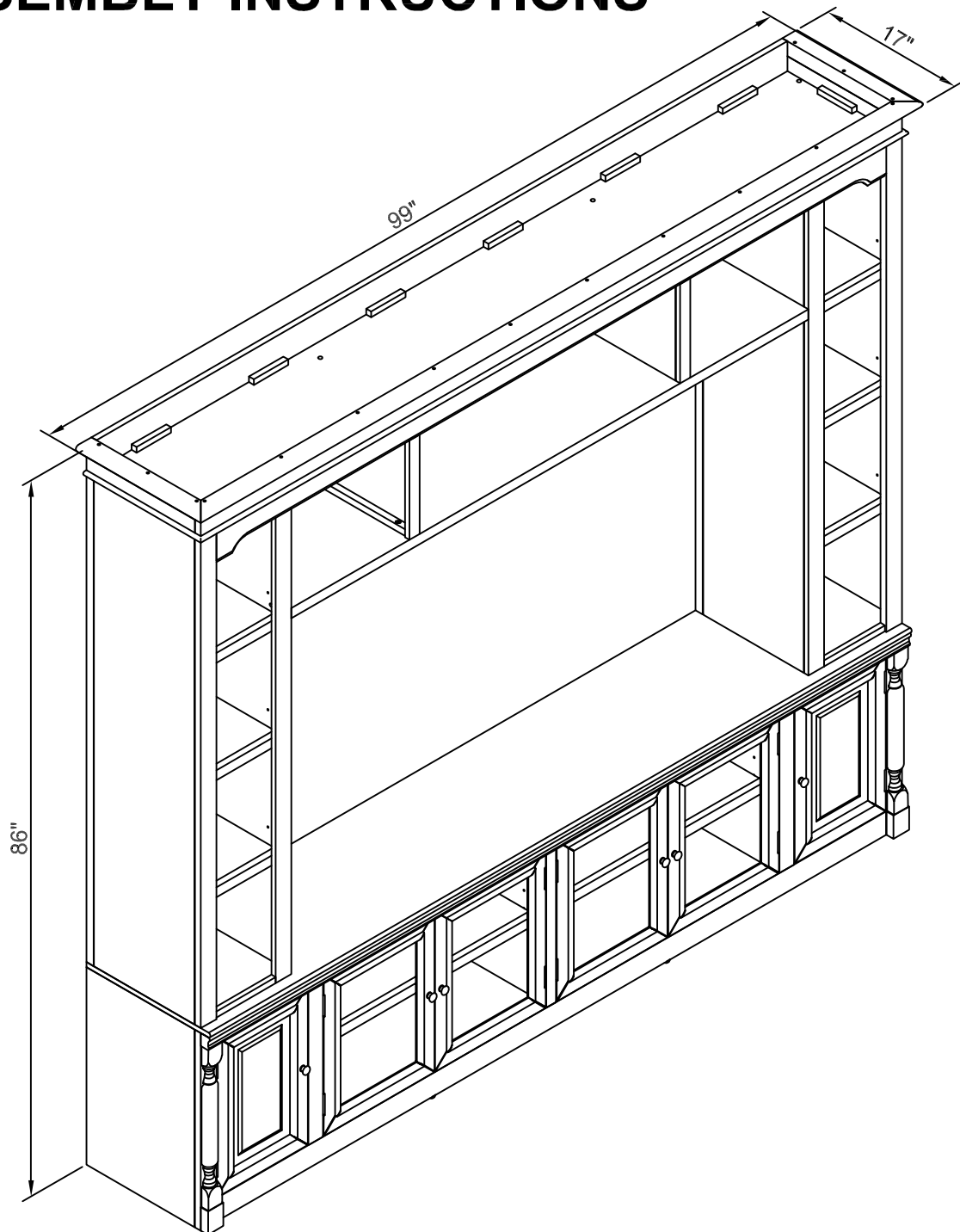


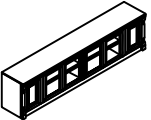



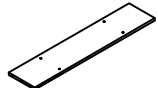


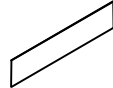


VIRGINIA 97" ENTERTAINMENT CENTER

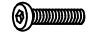






VIRGINIA 97" ASSEMBLY INSTRUCTIONS



PARTS LIST

LABEL	PICTURE	DESCRIPTION	QTY
A		TV Console	1
B		Left Buffet	1
C		Right Buffet	1
D		Top	1
E		Shelf	1
F		Left Divider	1
G		Right Divider	1
H		Back Panel	1

HARDWARE

LABEL	PICTURE	DESCRIPTION	QTY
1		Bolt M6 x 25mm	16
2		Spring Washer Ø6/12xH1.5mm	12
3		Flat Washer Ø6/16xH1.5mm	12
4		Allen Key M4 x 60	1
5		Screws M4 x 15mm	28
6		Screws M3.5 x 20mm	4
7		Anti Tip Kit	2

Read instructions cover to cover

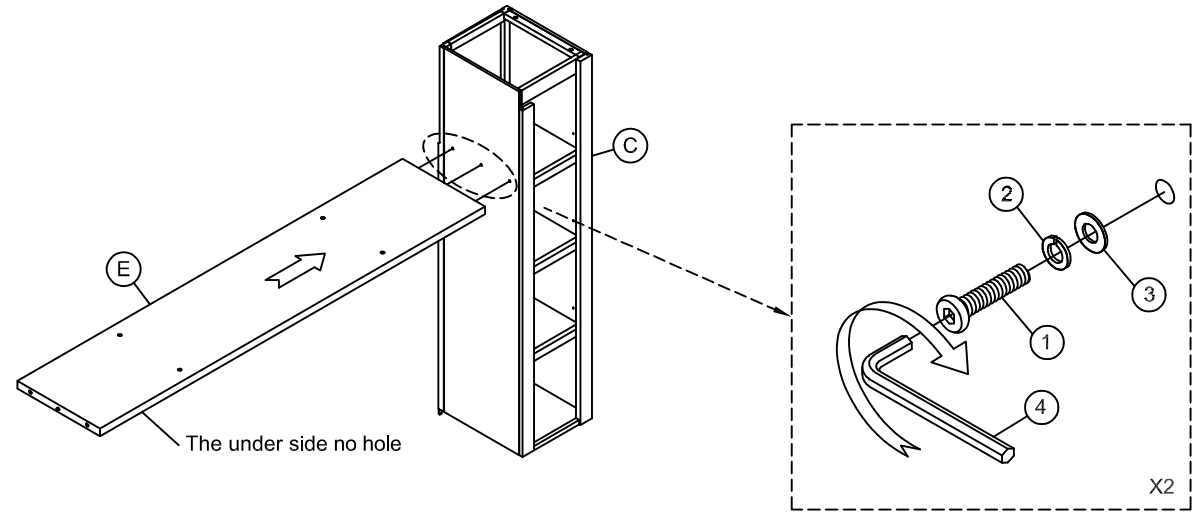
Have two adults on hand for assembly

Do not assemble on flooring or carpet. Assemble on a clean non-marring surface
(ex: packing foam)

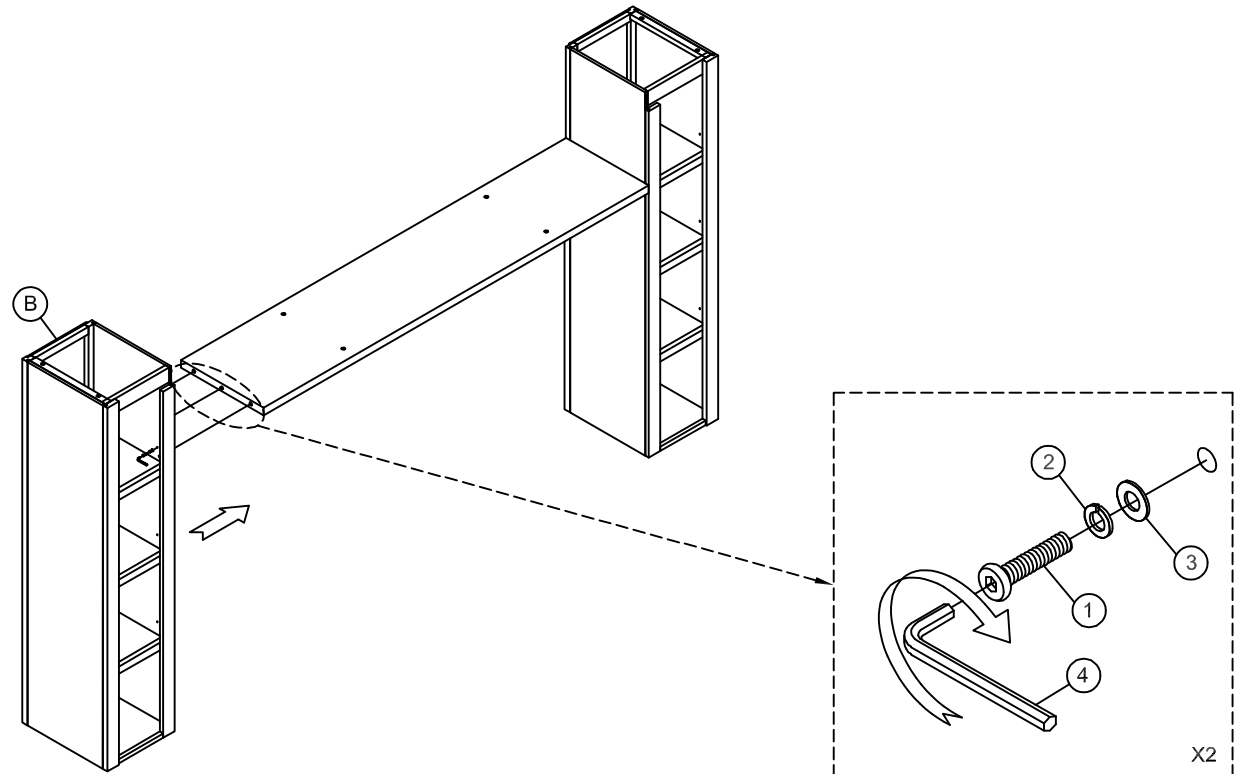
Save all packaging until assembly is completed

ASSEMBLY STEPS

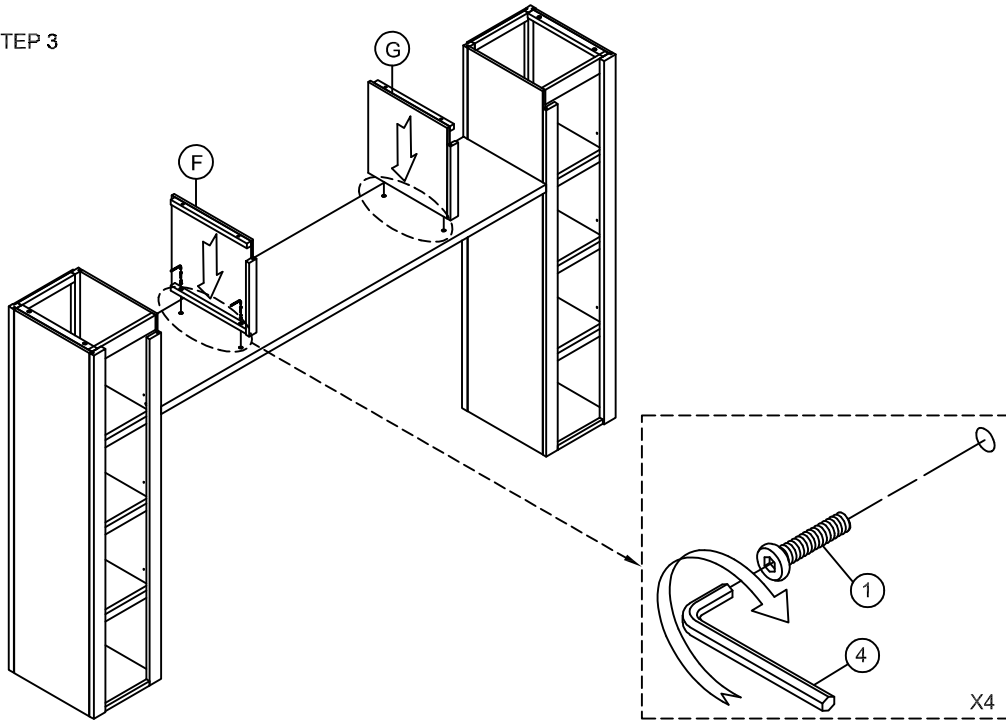
STEP 1



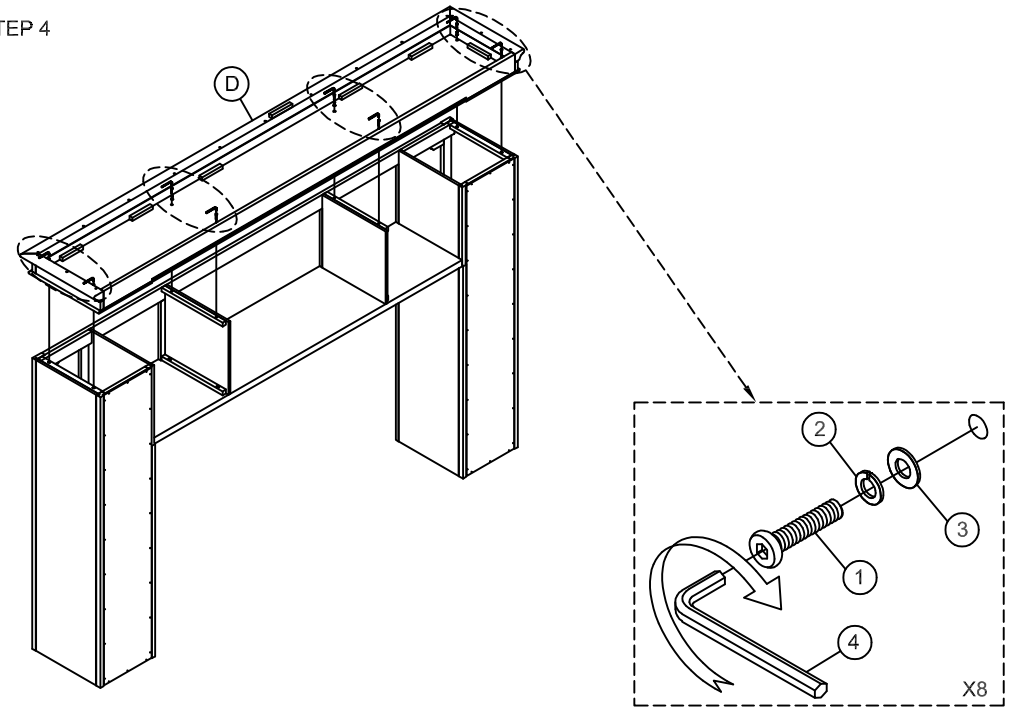
STEP 2



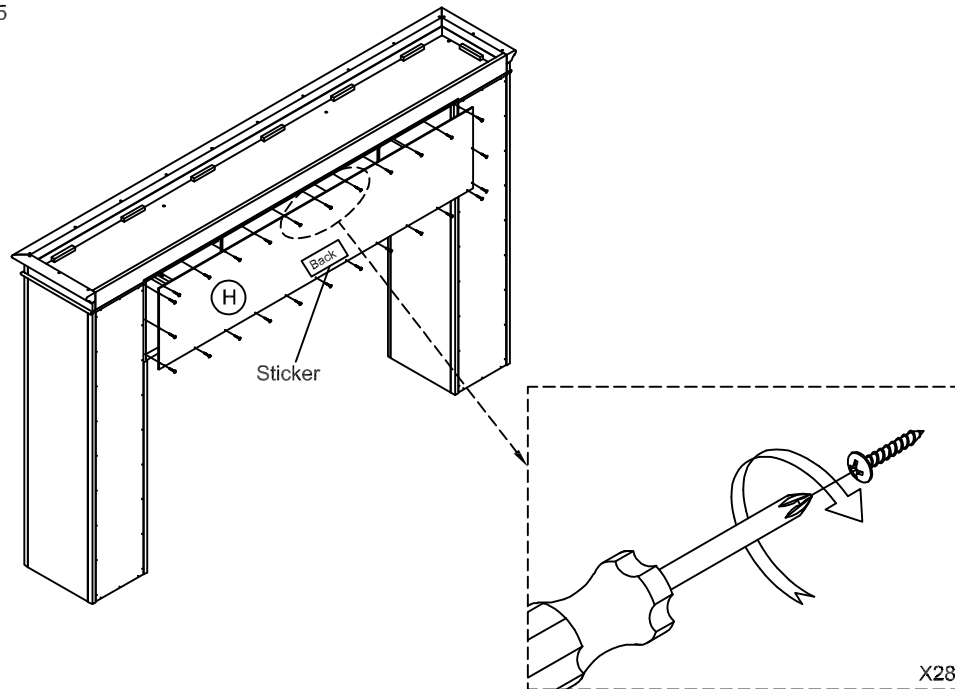
STEP 3



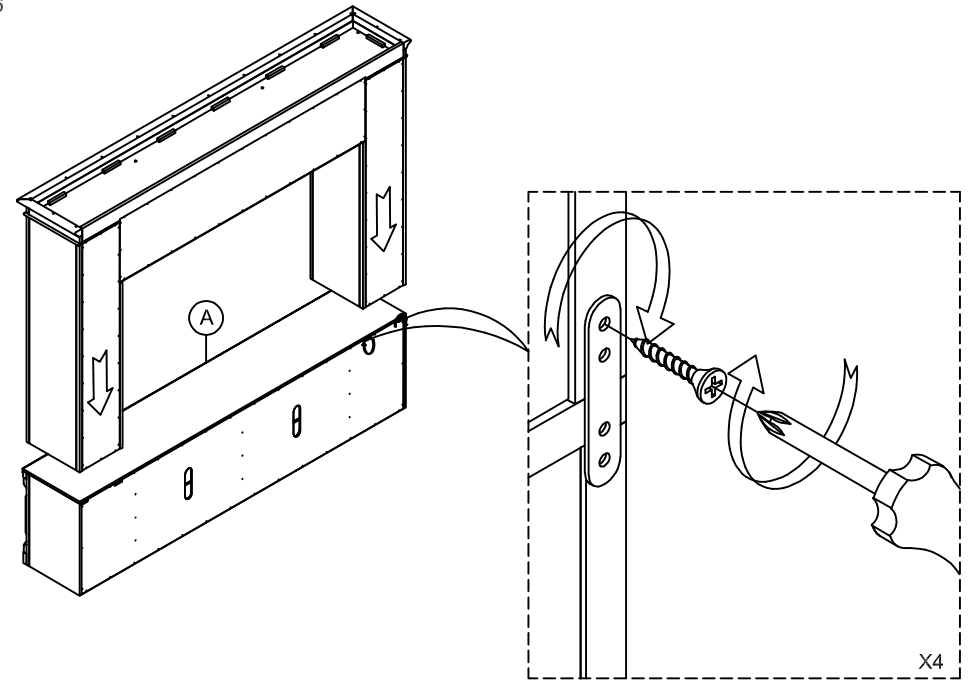
STEP 4



STEP 5

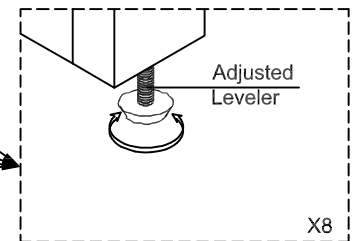
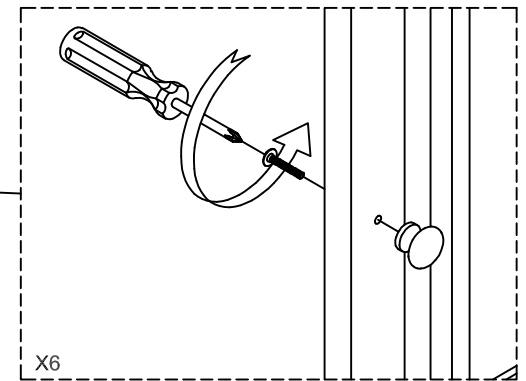
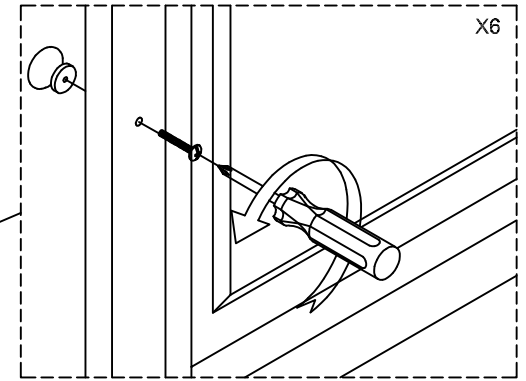
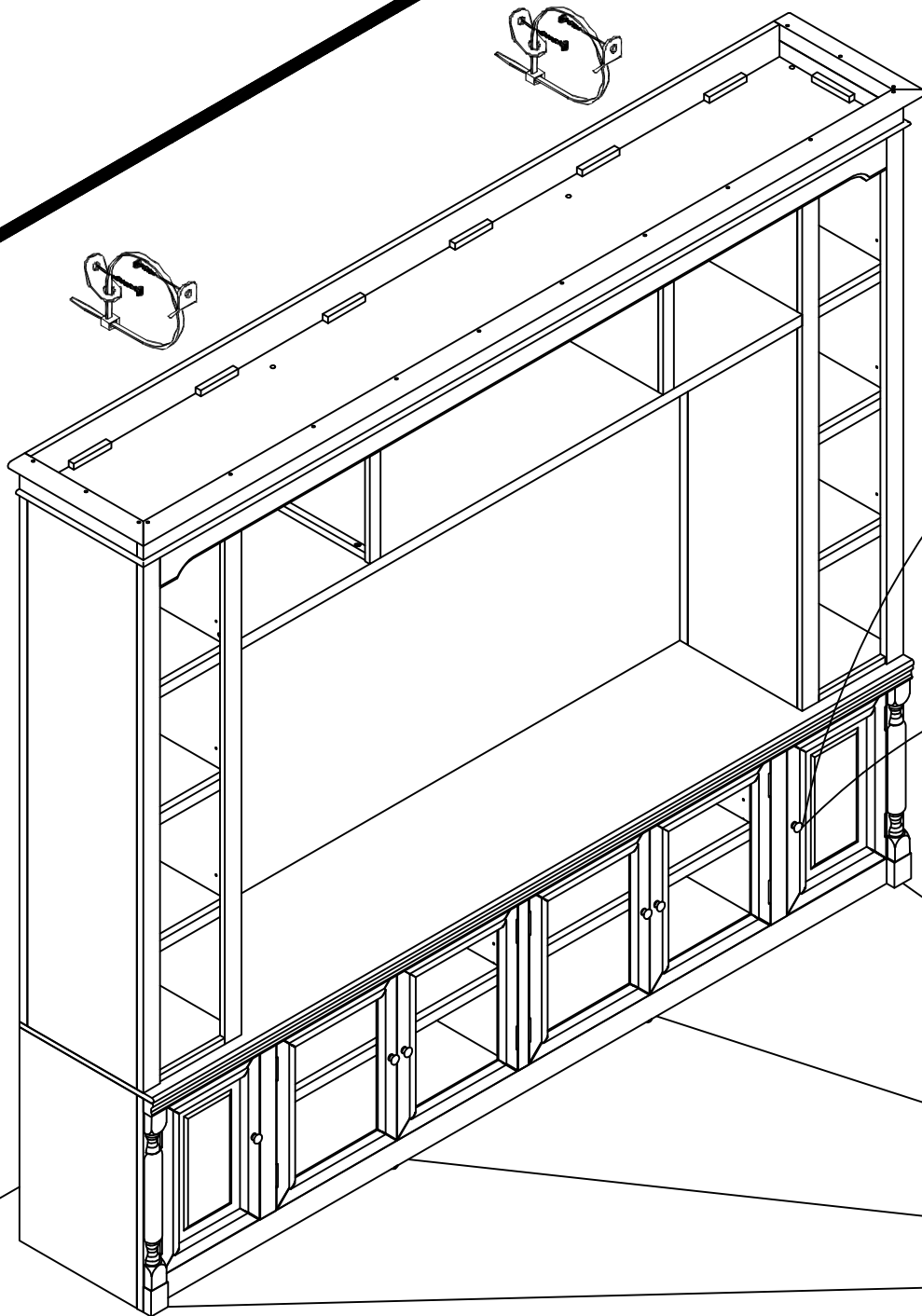


STEP 6



STEP 7

WALL



CARE & MAINTENANCE



Do not put hot items directly on furniture surface.



Do not clean furniture with harsh cleansers or polish



Dust and wipe up spills using a clean, non-colored, lint-free cloth.



Stains may be removed with a mild soap solution and a damp cloth.



Do not place furniture under direct sunlight.



Do not place furniture near heating or cooling vents.



Do not write on furniture without a padded barrier to protect the surface.



Do not place furniture outside, for indoor use only.