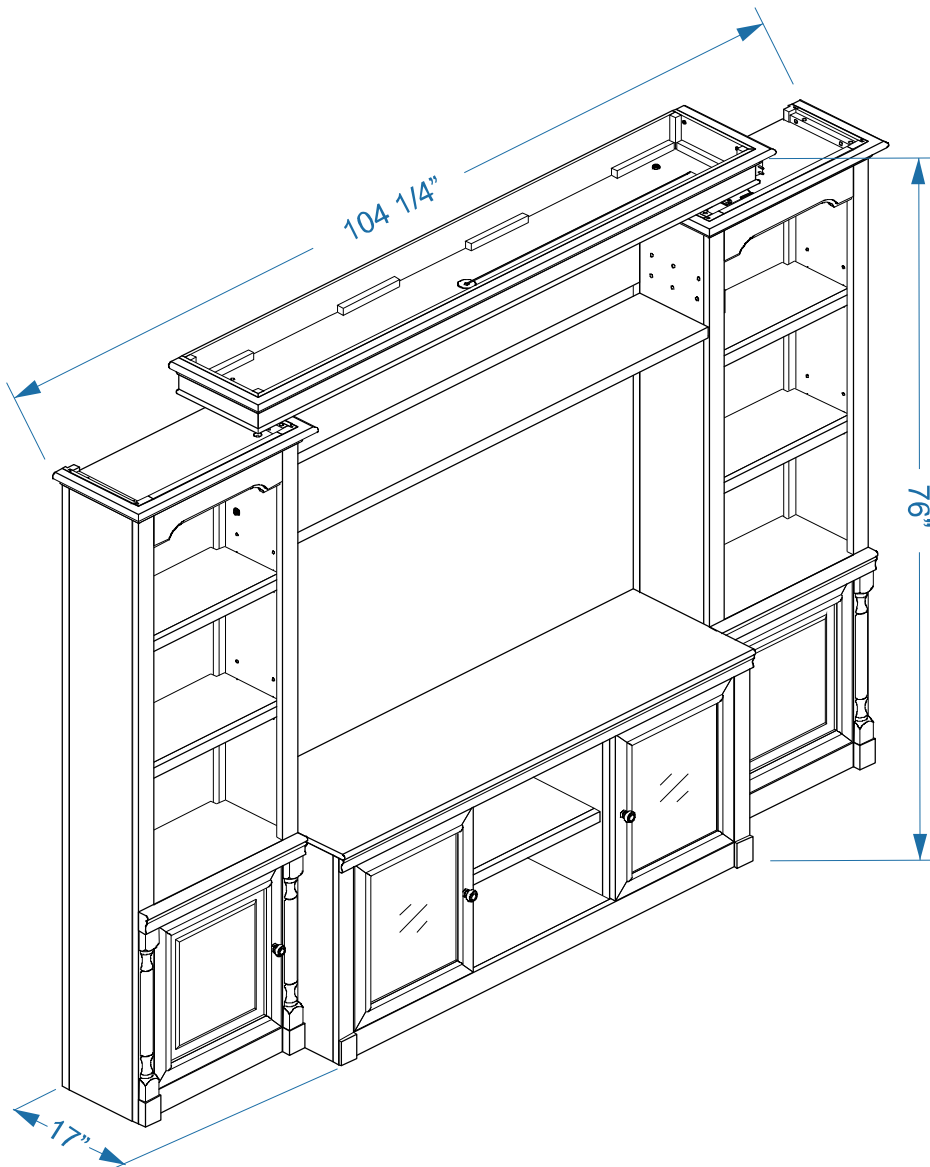




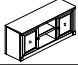
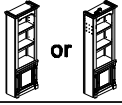

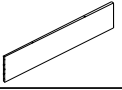
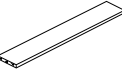
VIRGINIA ENTERTAINMENT CENTER

VIRGINIA





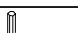



ASSEMBLY INSTRUCTIONS




PARTS LIST

LABEL	PICTURE	DESCRIPTION	QTY
A		TV Console	1
B		Left/ Right Buffet	2
C		Top	1
D		Back Frame	1
E		Shelf	1

HARDWARE

LABEL	PICTURE	DESCRIPTION	QTY
1		Bolt M6 x 50mm	4
2		Bolt M6 x 35mm	8
3		Spring Washer Ø6/12xH1.5mm	12
4		Flat Washer Ø6/16xH1.5mm	12
5		Allen Key M4x60	1
6		Screws M3x15mm	4
7		Anti Tip Kit	2
8		Button Ø10	12

 Read instructions cover to cover

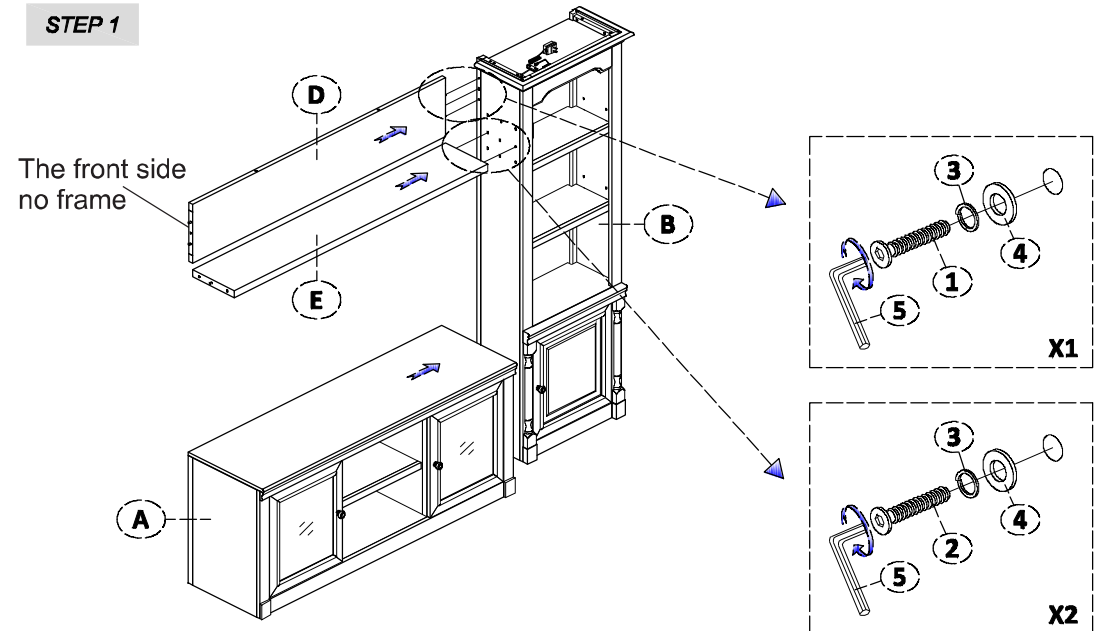
 Have two adults on hand for assembly

 Do not assemble on flooring or carpet. Assemble on a clean non-marring surface (ex: packing foam)

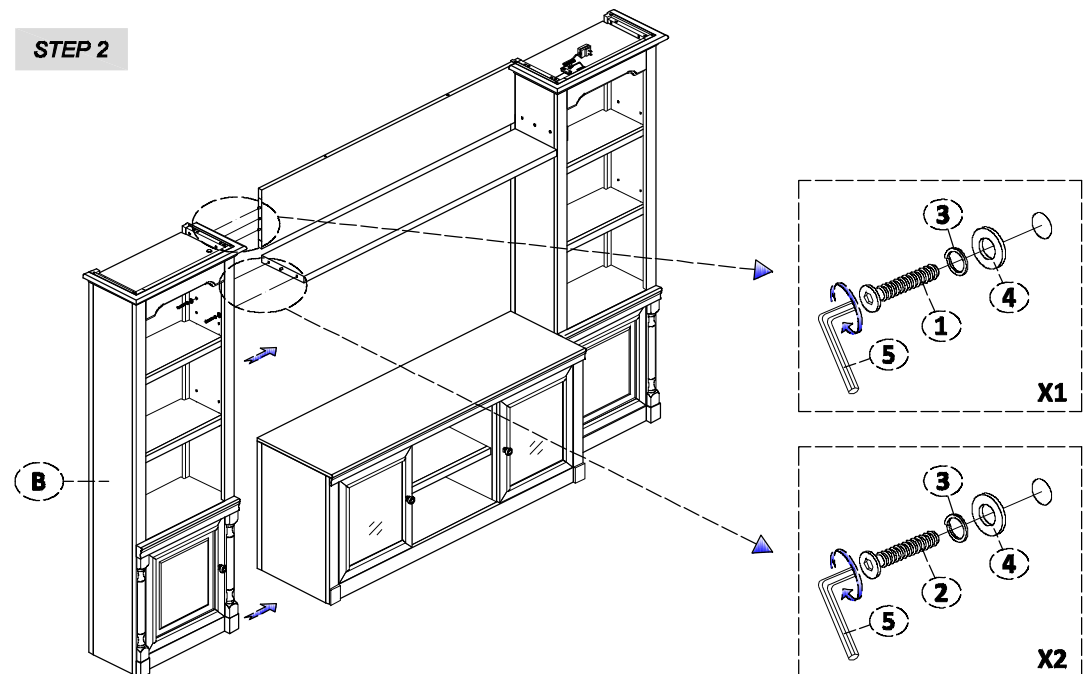
 Save all packaging until assembly is completed

ASSEMBLY STEPS

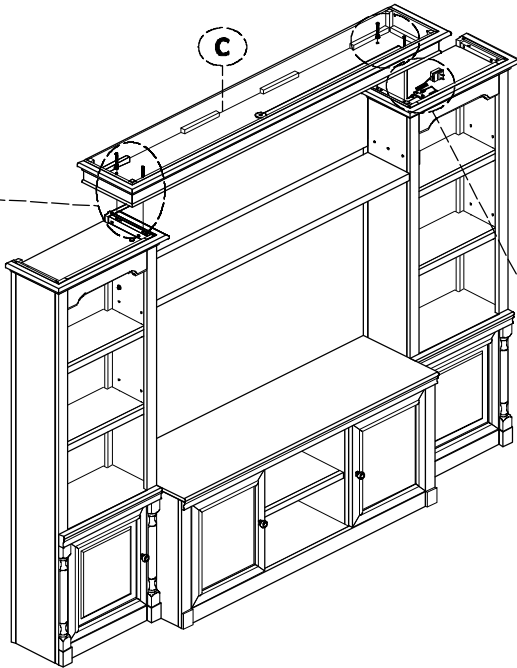
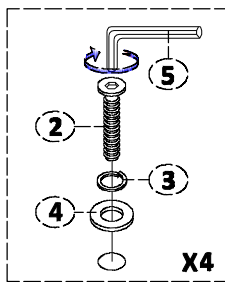
STEP 1



STEP 2

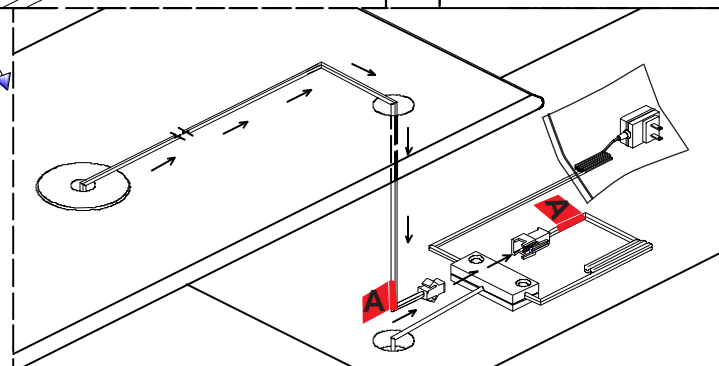
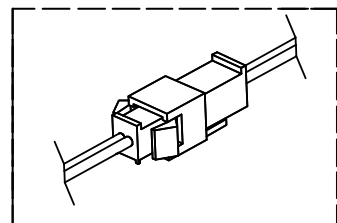
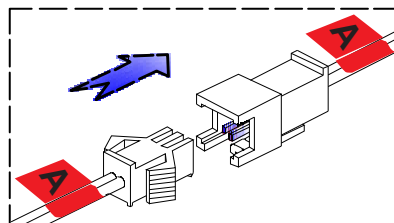


STEP 3

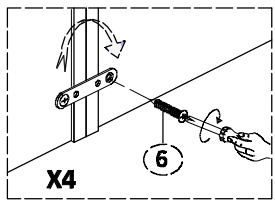
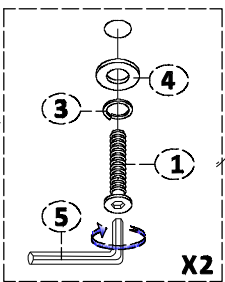
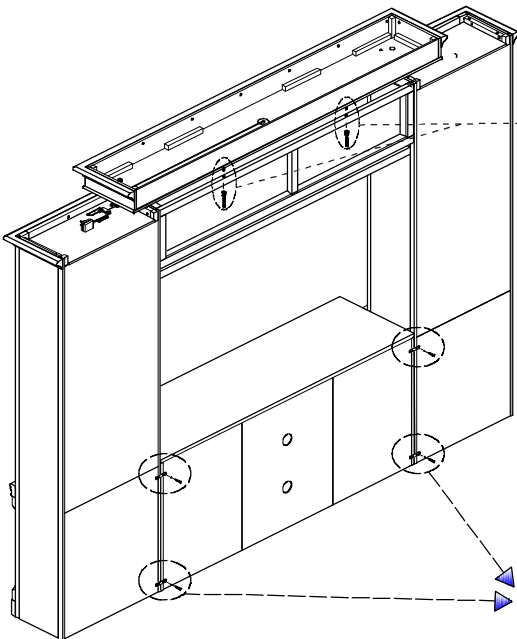


Connect the two wire heads together

Make sure they click shut.



STEP 4



STEP 5

