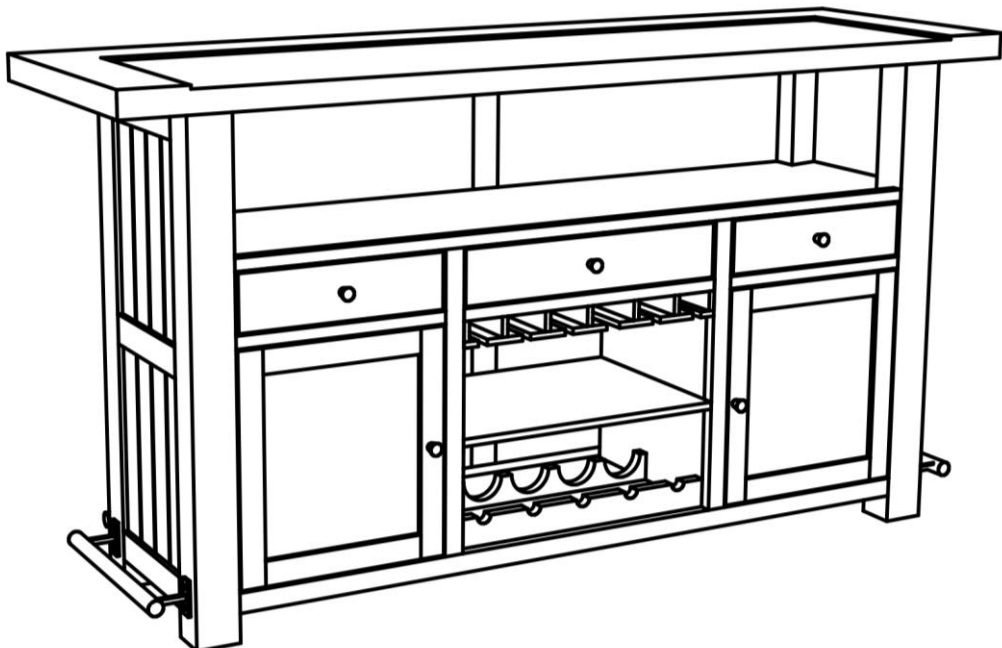
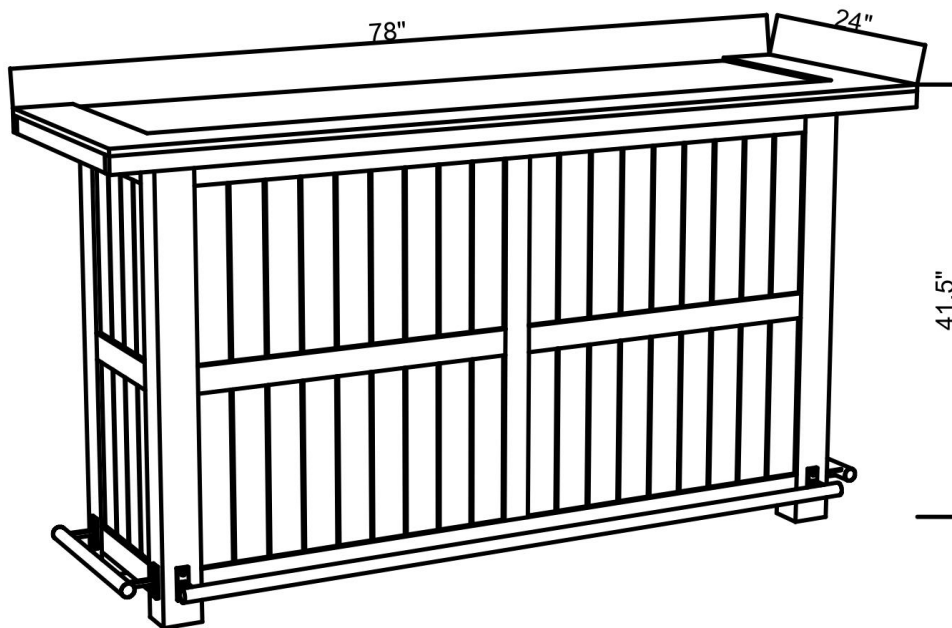



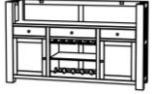




HARRISON BAR




ASSEMBLY INSTRUCTIONS



PARTS LIST

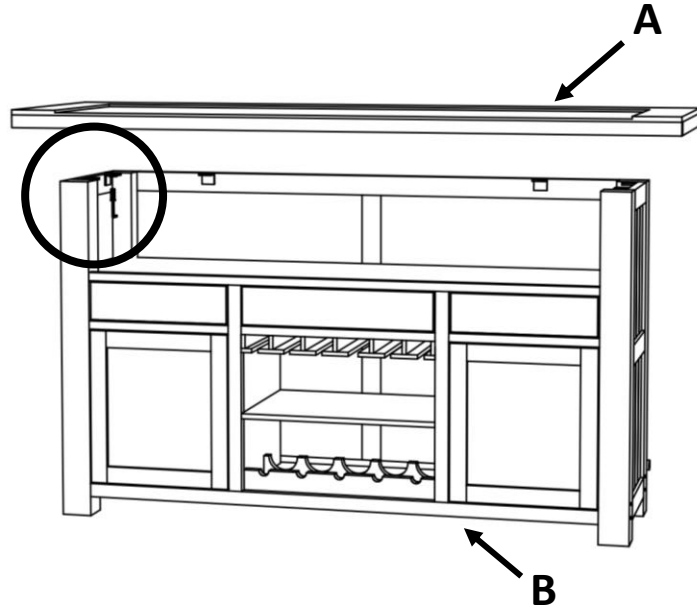
LABEL	PICTURE	DESCRIPTION	QTY
A		TOP	1
B		BASE	1
C		SIDE FOOT REST	2
D		FRONT FOOT REST	1

HARDWARE

LABEL	PICTURE	DESCRIPTION	QTY
1		ALLEN BOLT 8 X 25 MM	20
2		WASHER 8 X 20 MM	20
3		ALLEN KEY 5 MM	1

ASSEMBLY STEPS

STEP 1: Attach the top



Read instructions cover to cover



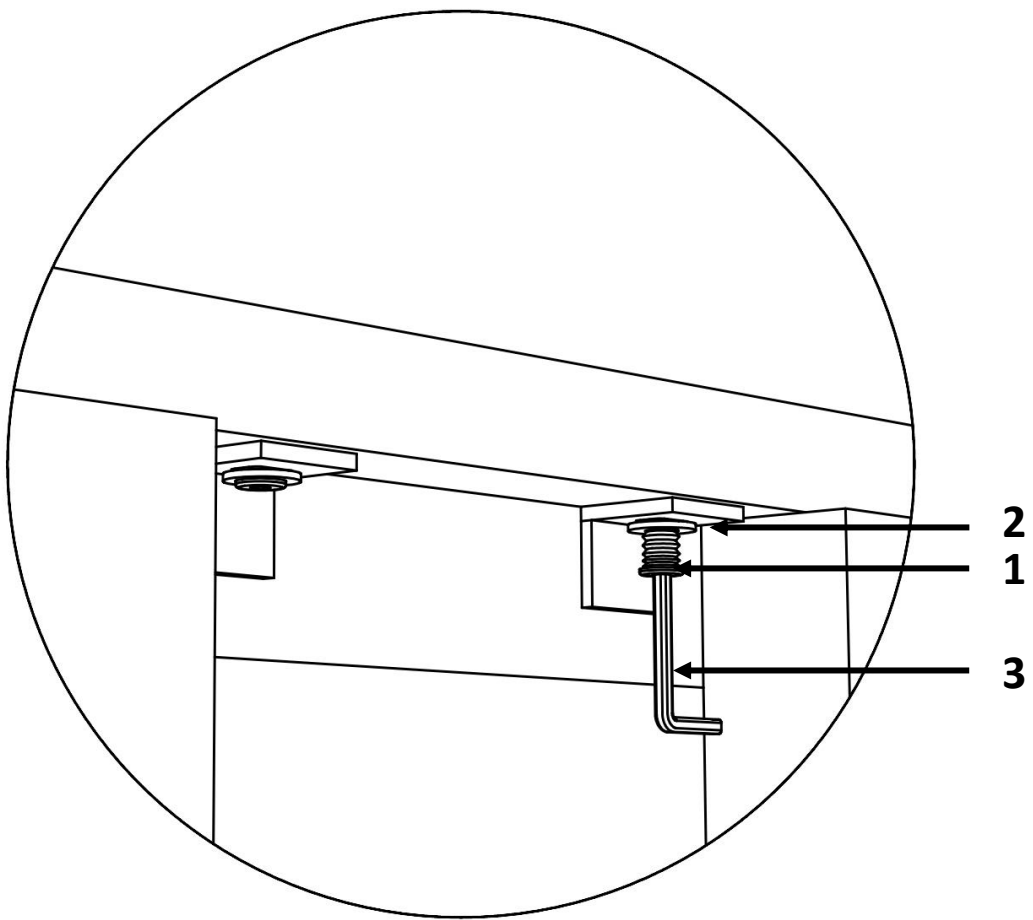
Have two adults on hand for assembly



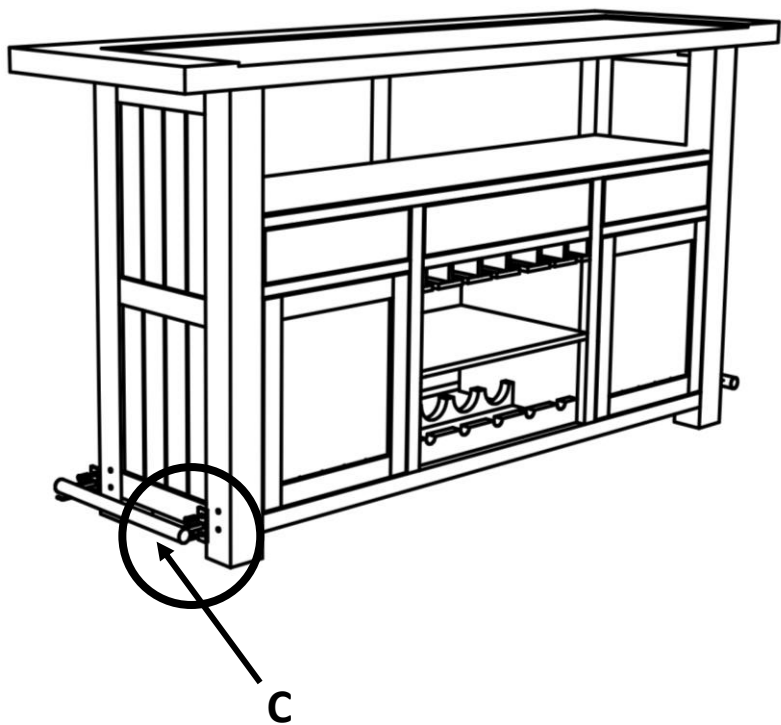
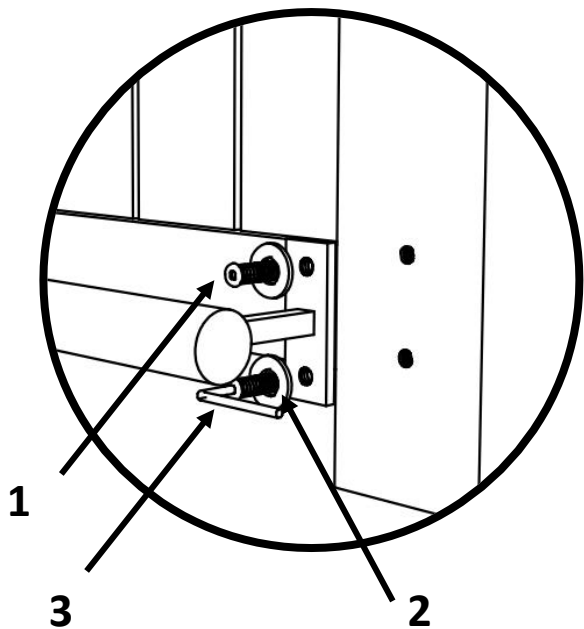
Do not assemble on flooring or carpet. Assemble on a clean non-marring surface (ex: packing foam)



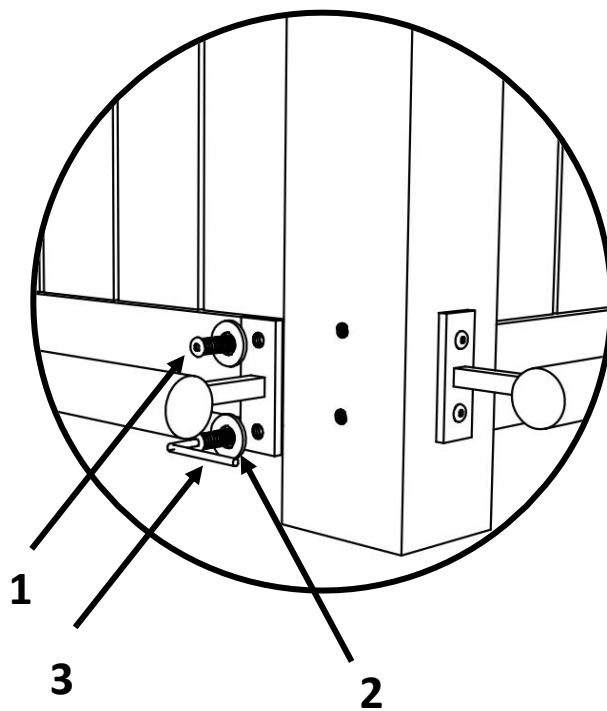
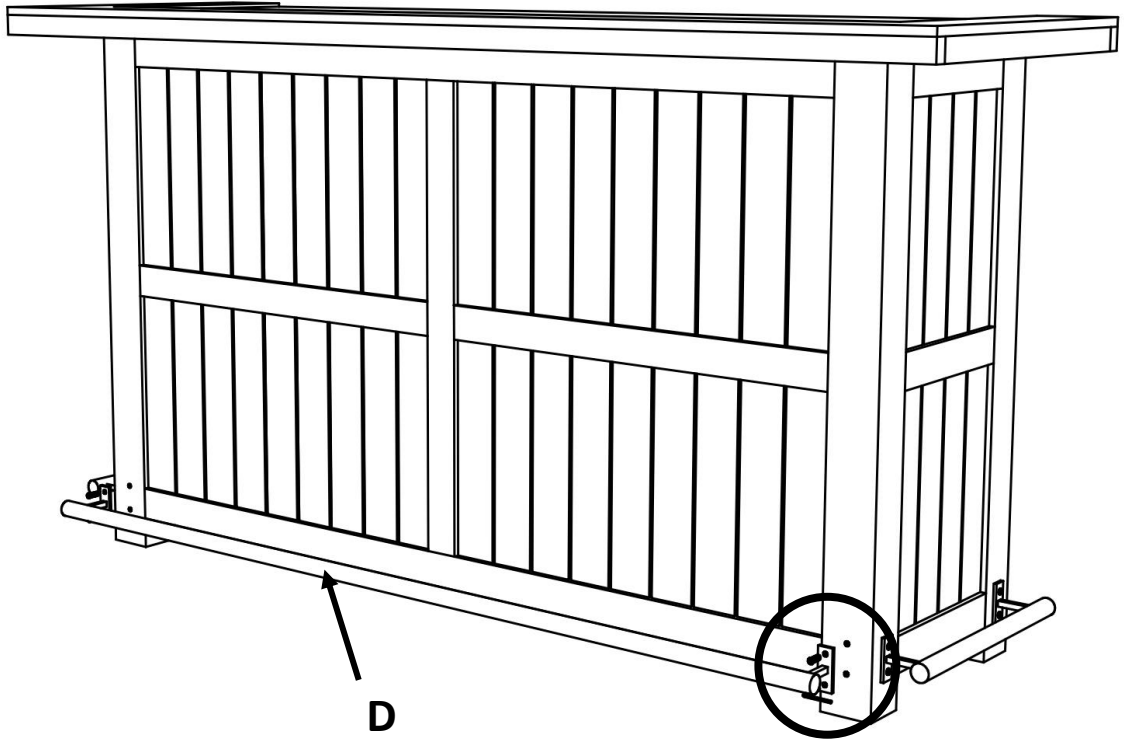
Save all packaging until assembly is completed



STEP 2: Attach the side foot rest at both the sides



STEP 3: Attach the front foot rest



STEP 4: Reverse the knobs attached to the drawers

