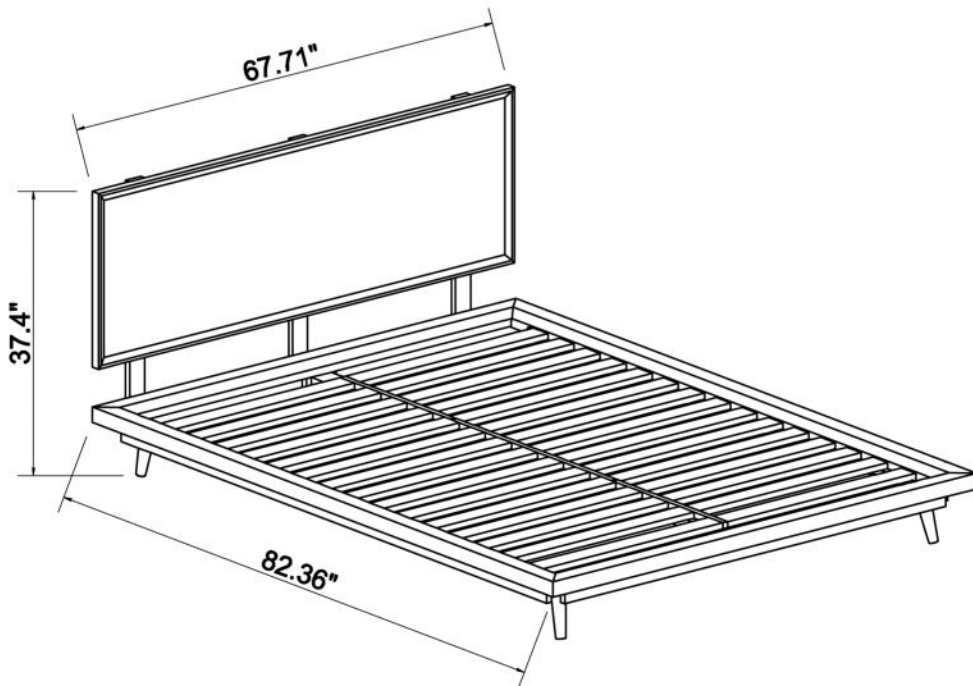


Emery Pecan Queen Bed












EMERY












ASSEMBLY INSTRUCTIONS



PARTS LIST

LABEL	PICTURE	DESCRIPTION	QTY
1		HEAD BOARD	1
2		FOOT BOARD	2
3		SIDE RAILS	2
4		CORNER BRACKET	4
5		WOOD LEGS	4
6		SUPPORT BAR	3
7		CENTER SLAT SUPPORT	1
8		SLATS	28
9		SUPPORT LEGS	2

HARDWARE

LABEL	PICTURE	DESCRIPTION	QTY
A		Bolt M8 x 65	04
B		Bolt M8 x 50	06
C		Bolt M8 x 35	06
D		Bolt M8 x 25	08
E		Bolt M8 x 20	16
F		Bolt M6 x 50	02
G		Washer 8 x 19	40
H		Washer 6 x 19	02
I		Screw 4 x 35	10
K		Allen key M4	01
K 2		Key M13	01

BEFORE BEGINNING ASSEMBLY:



Read instructions cover to cover



Have two adults on hand for assembly



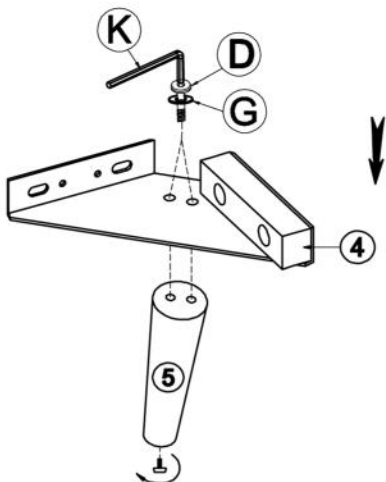
Do NOT assemble on flooring or carpet. Assemble on a clean non-marring surface (ex: packing foam)



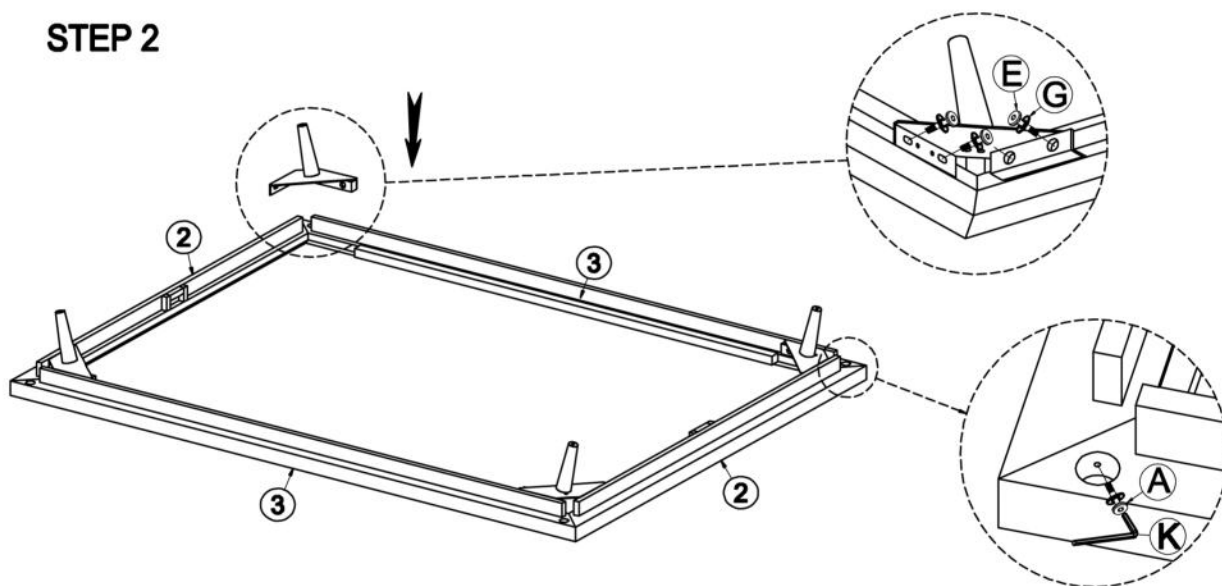
Save all packaging until assembly is completed

ASSEMBLY STEPS

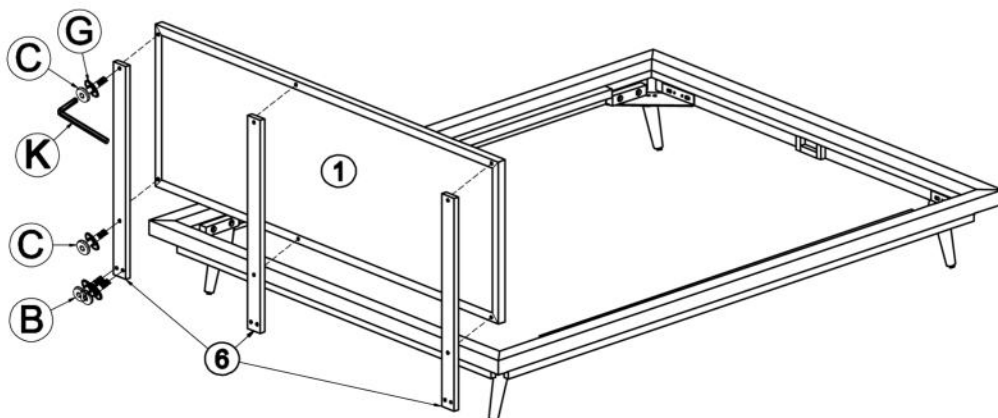
STEP 1



STEP 2

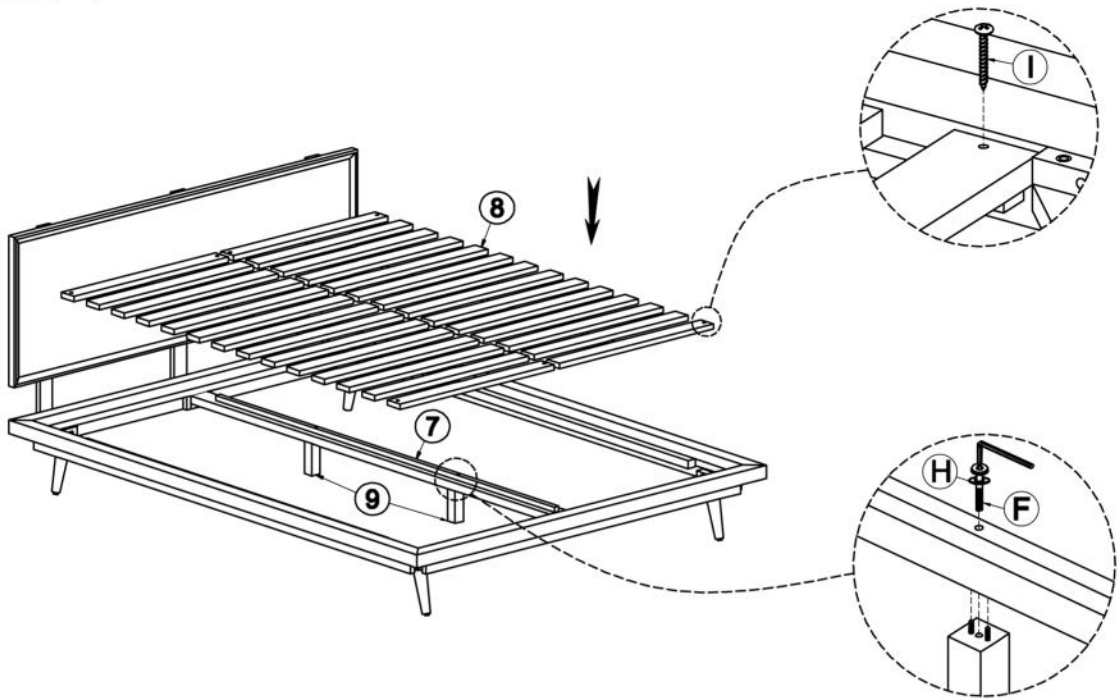


STEP 3



ASSEMBLY STEPS

STEP 4



COMPLETE

