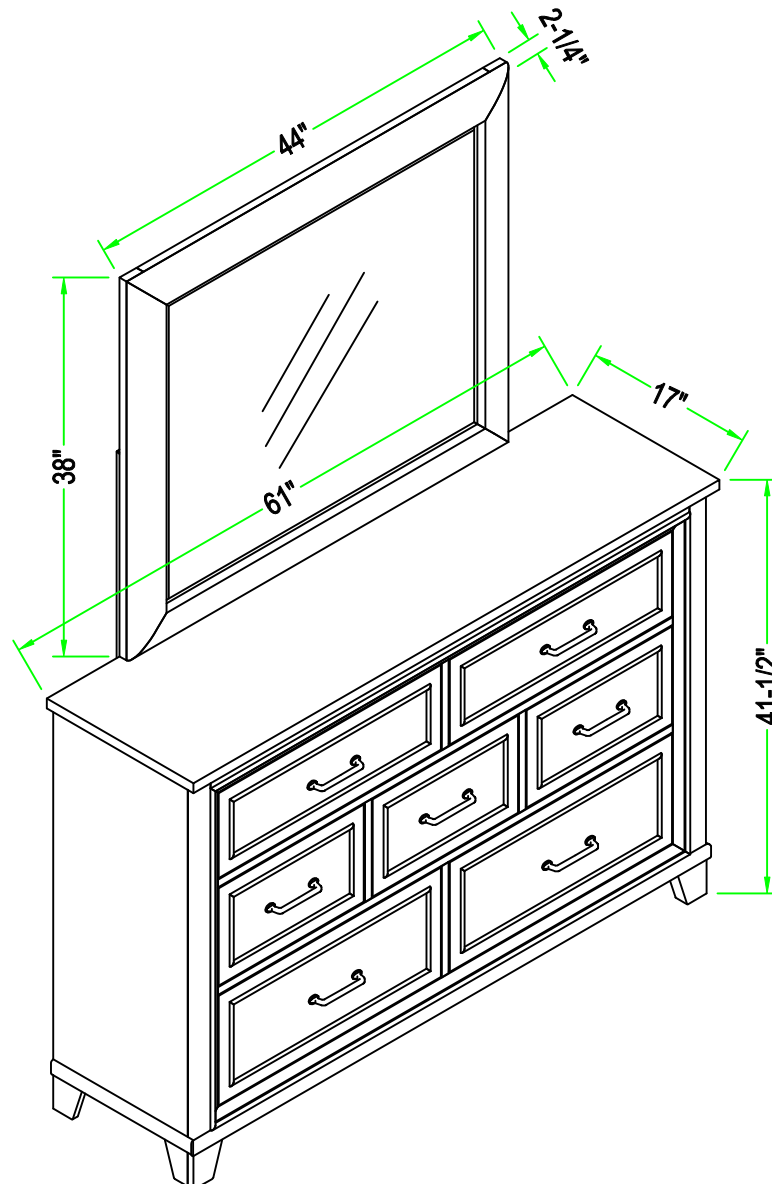







**MONTAUK WEATHERED WHITE DRESSER**  
**MONTAUK MIRROR**  
REN-B920-70/ REN-B920-80

# MONTAUK






## ASSEMBLY INSTRUCTIONS



## PART LIST

LABEL	PICTURE	DESCRIPTION	QTY
A		Dresser	1
B		Mirror	1
C		Mirror Support	2

## HARDWARE

LABEL	PICTURE	DESCRIPTION	QTY
1		Bolt 1/4''*38mm	8
2		Spring Washer 1/4''	8
3		Flat Washer 1/4''	8
4		Allen Key M4	1
5		Anti Tip Kit	1



Read instruction cover to cover



Have two adults on hand for assembly



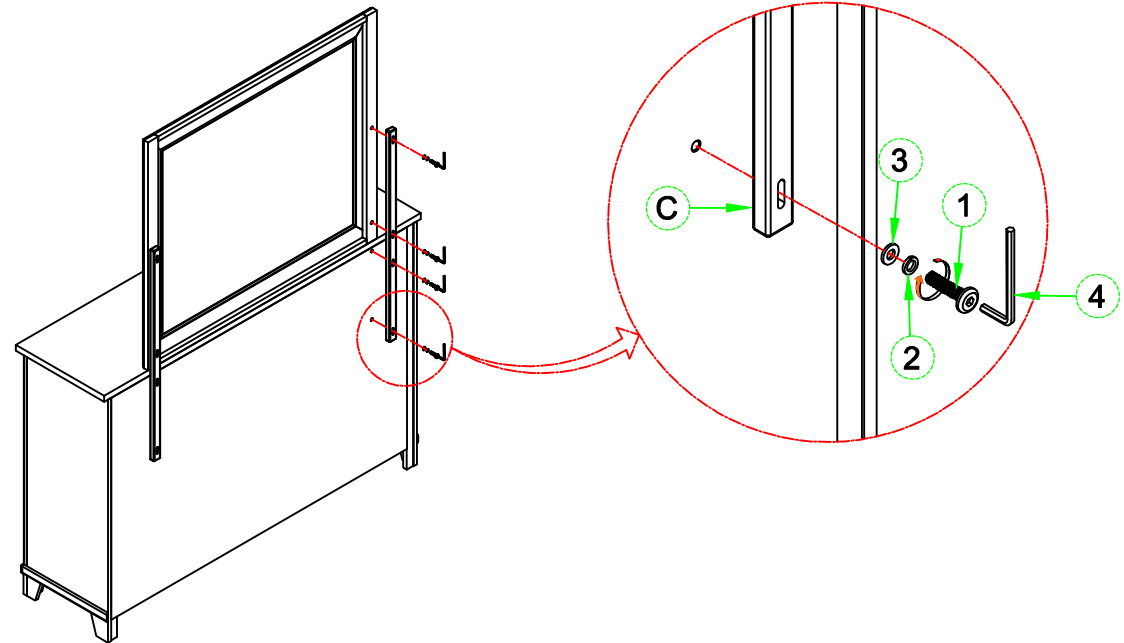
Do not assemble on flooring or carpet. Assemble on a clean non-marring surface (ex:packing foam)



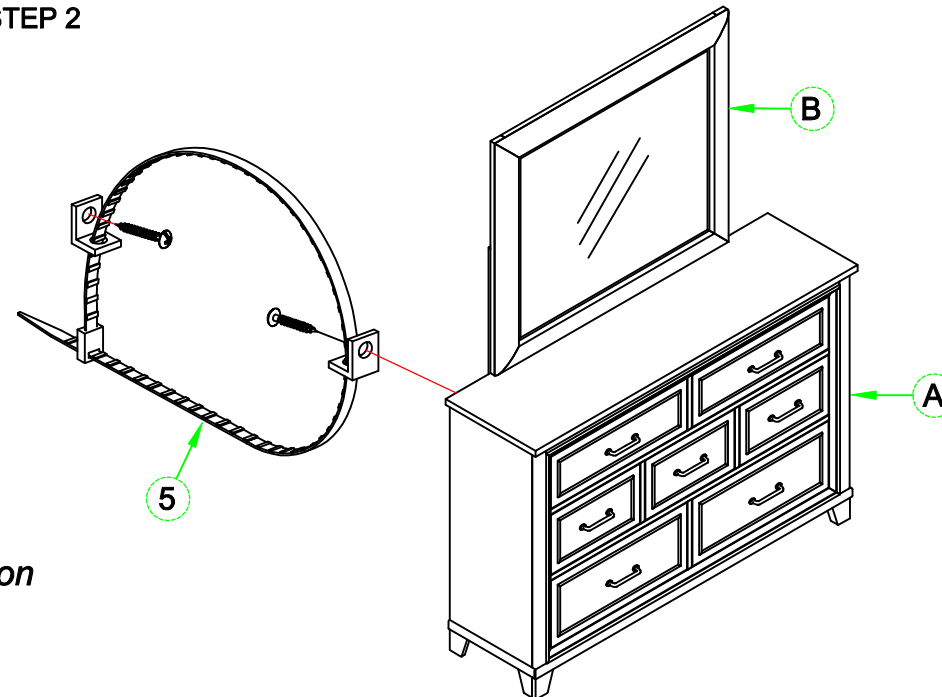
Save all packaging until assembly is completed

## ASSEMBLY STEPS

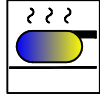
### STEP 1



### STEP 2



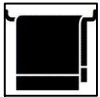
# CARE & MAINTENANCE



Do not put hot items directly on furniture.



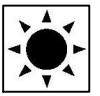
Do not clean furniture with a harsh cleanser or polish.



Clean up spills and dust using clean, non colored lint free cloth.



Stains may be removed with mild soap and damp cloth.



Do not place furniture under direct sunlight.



Do not place furniture near cooling or heating vents.



Do not write on furniture without a padding to protect the surface.



Do not place furniture outside, For indoor use only.