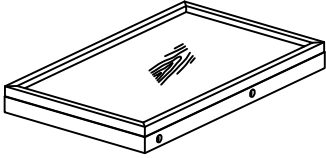
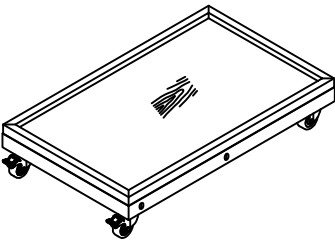
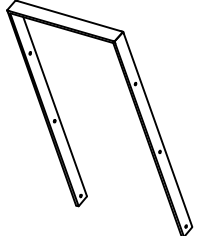
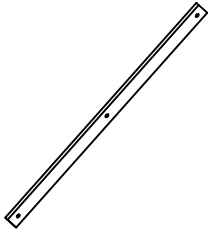










**ASSEMBLY INSTRUCTIONS**  
**ITEM # : 30091-11-01/02**  
**EMBER BAR CART BARLEY/ PEBBLE GRAY**

## BAR CART PART LIST & HARDWARE LIST

 <p><b>(A)</b> TOP BOARD x1</p>	 <p><b>(B)</b> BOTTOM BOARD x1</p>	 <p><b>(C)</b> OUTSIDE FRAME x1</p>
 <p><b>(D)</b> INSIDE FRAME x2</p>	 <p><b>(H1)</b> LONG SLEEVE NUT (Ø1/4" x 23MM) x4</p>	 <p><b>(H2)</b> SHORT SLEEVE NUT (Ø1/4" x 15MM) x6</p>
 <p><b>(H3)</b> PIN (Ø1/4" x 9MM) x4</p>	 <p><b>(H4)</b> LONG BOLT x4 (Ø1/4" *30 MM)</p>	 <p><b>(H5)</b> SHORT BOLT x6 (Ø1/4" *15 MM)</p>
 <p><b>(H6)</b> SPRING WASHER (Ø1/4") x10</p>	 <p><b>(H7)</b> FLAT WASHER (Ø1/4") x10</p>	 <p><b>(H8)</b> ALLEN KEY x1 (M4)</p>

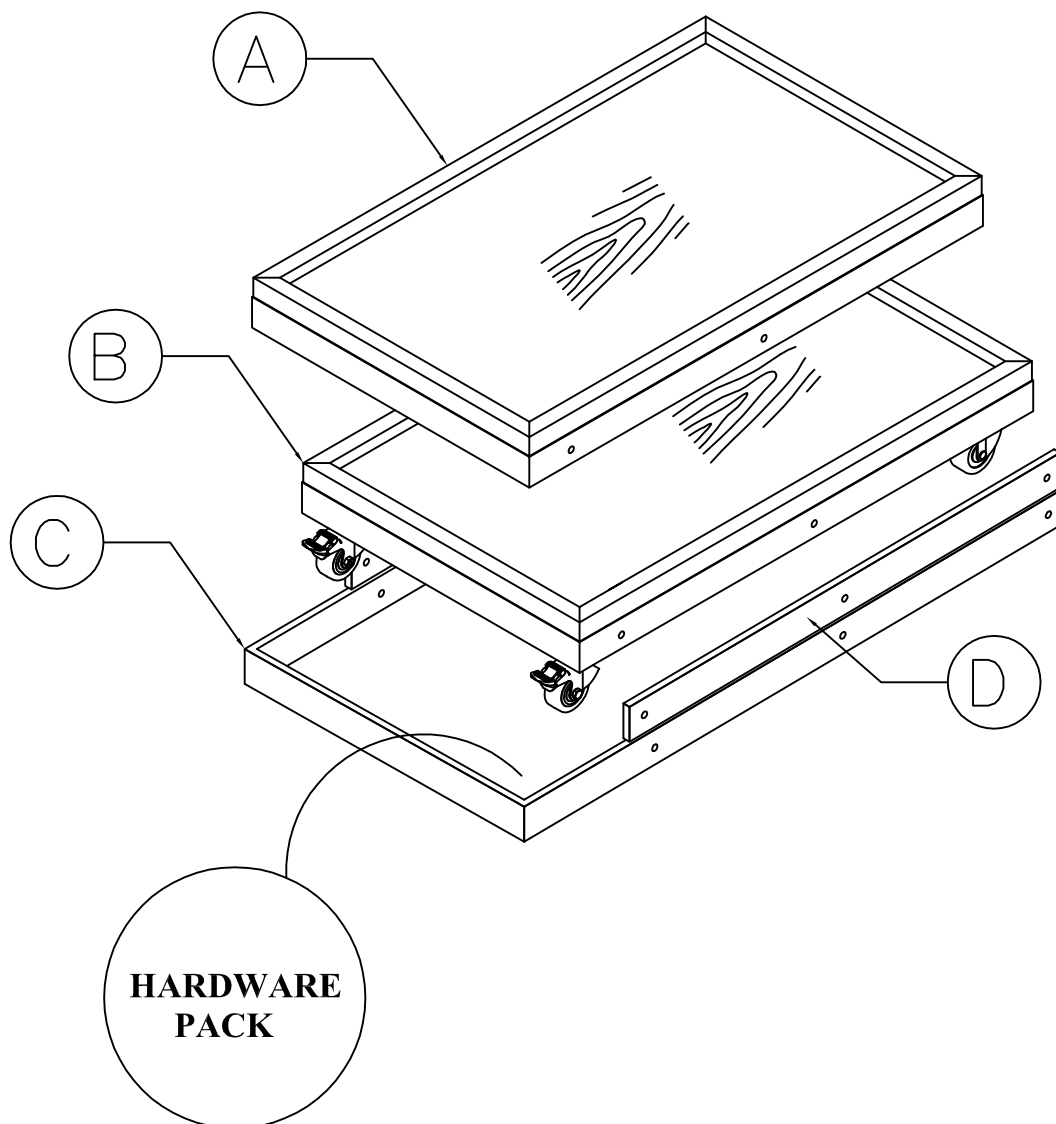
Customer Service Contact Information:  
Toll Free Phone Number: 1-844-771-2727  
Email: [consumercare@lanefurniture.com](mailto:consumercare@lanefurniture.com)  
Website: [www.lanefurniture.com](http://www.lanefurniture.com)

**NOTES :**

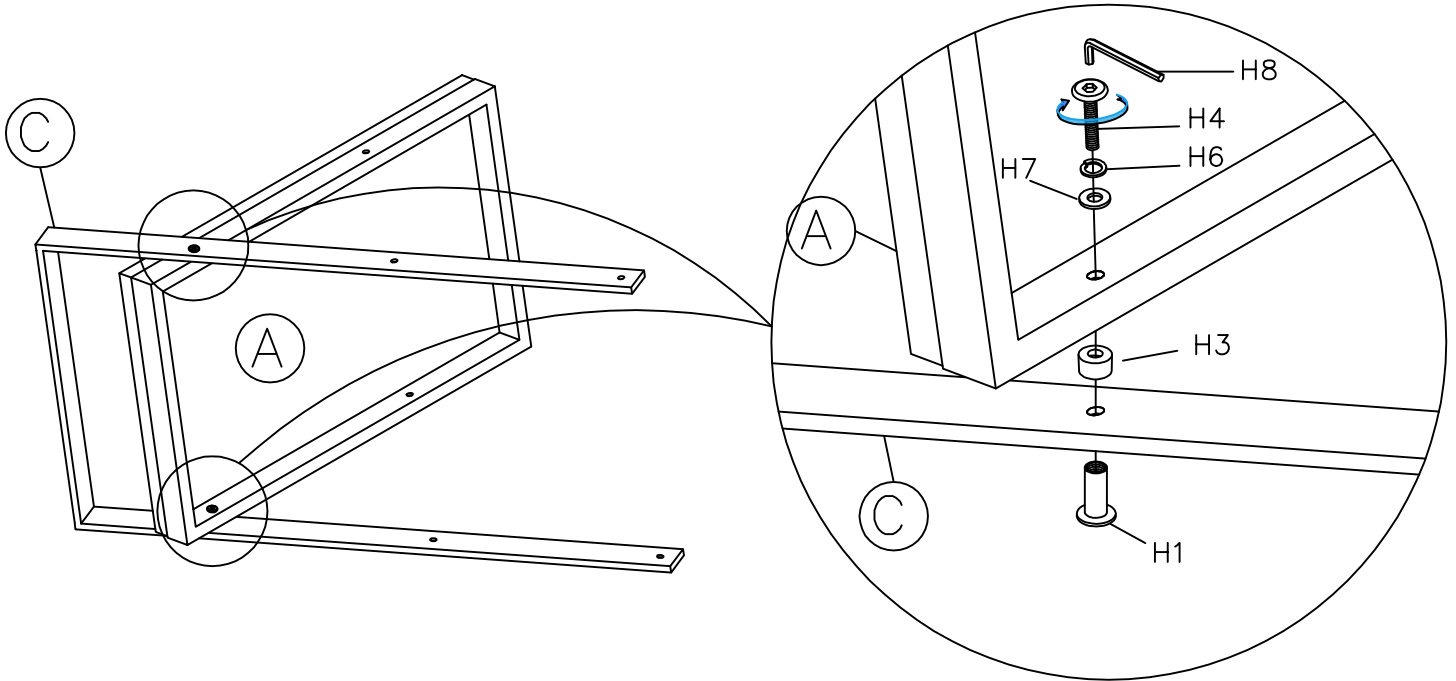
1. CHECK CAREFULLY FOR SMALL PARTS WHICH MAY COME LOOSE DURING SHIPMENT.
2. REMOVE ALL COMPONENTS FROM THE PACK AND PLACE ON A CLEAN, SOFT SURFACE TO ASSEMBLE.
3. UNITS SHOULD BE ASSEMBLED BY TWO OR MORE PEOPLE.
4. DO NOT OVER - TIGHTEN SCREW/ BOLTS UNTIL ASSEMBLY IS COMPLETED.
5. WITH USE, SCREW/ BOLT MAY BE COME LOOSE & MUST BE TIGHTENED PERIODICALLY.



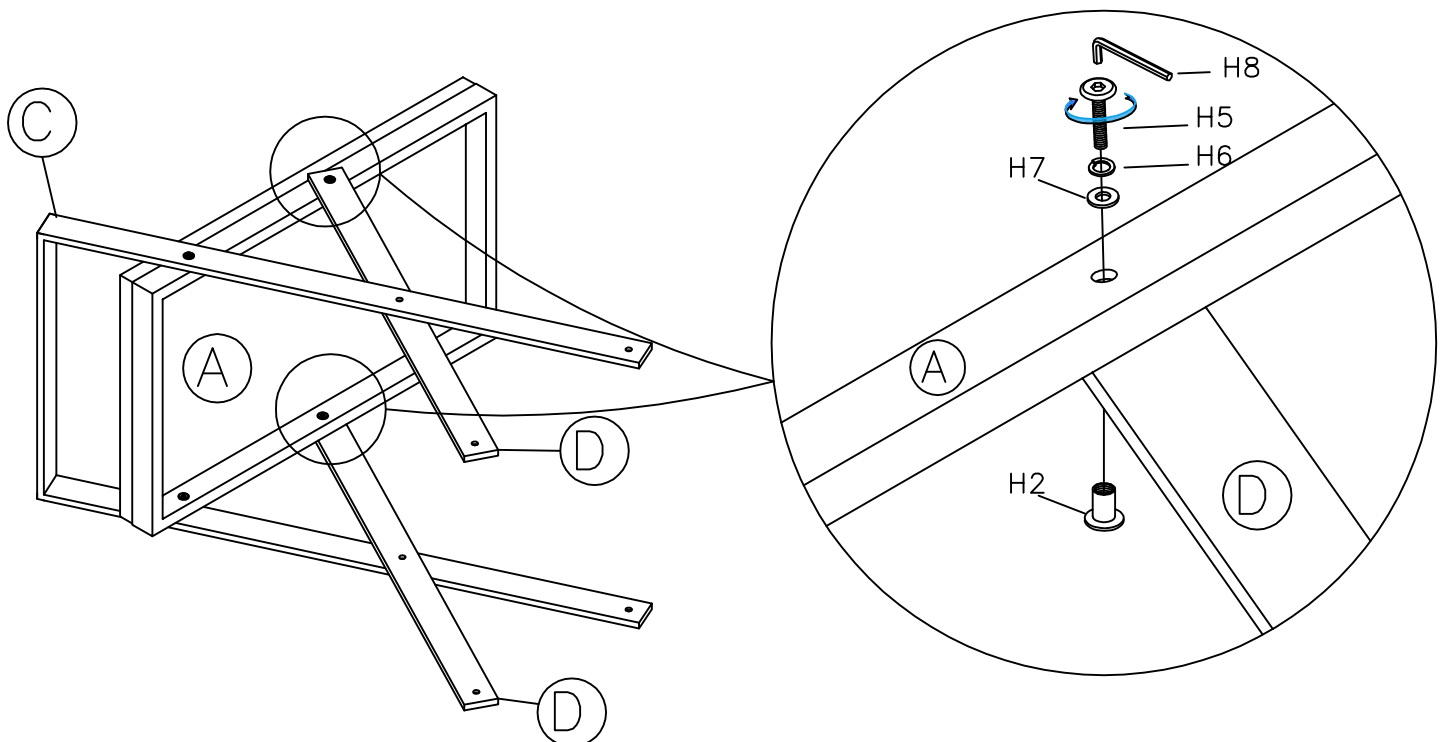
HARDWARE BLISTER PACKS ARE STORED AS BELOW:



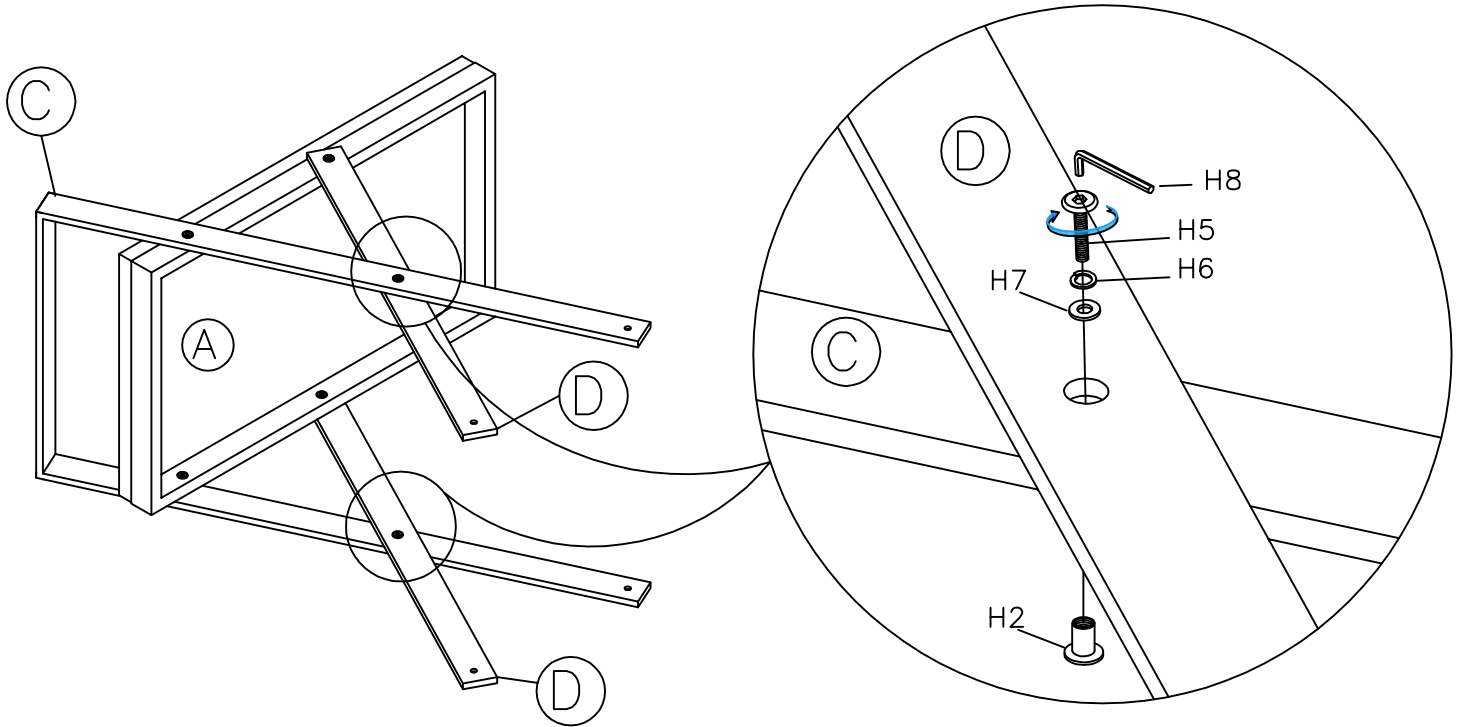
STEP 1 (x1)



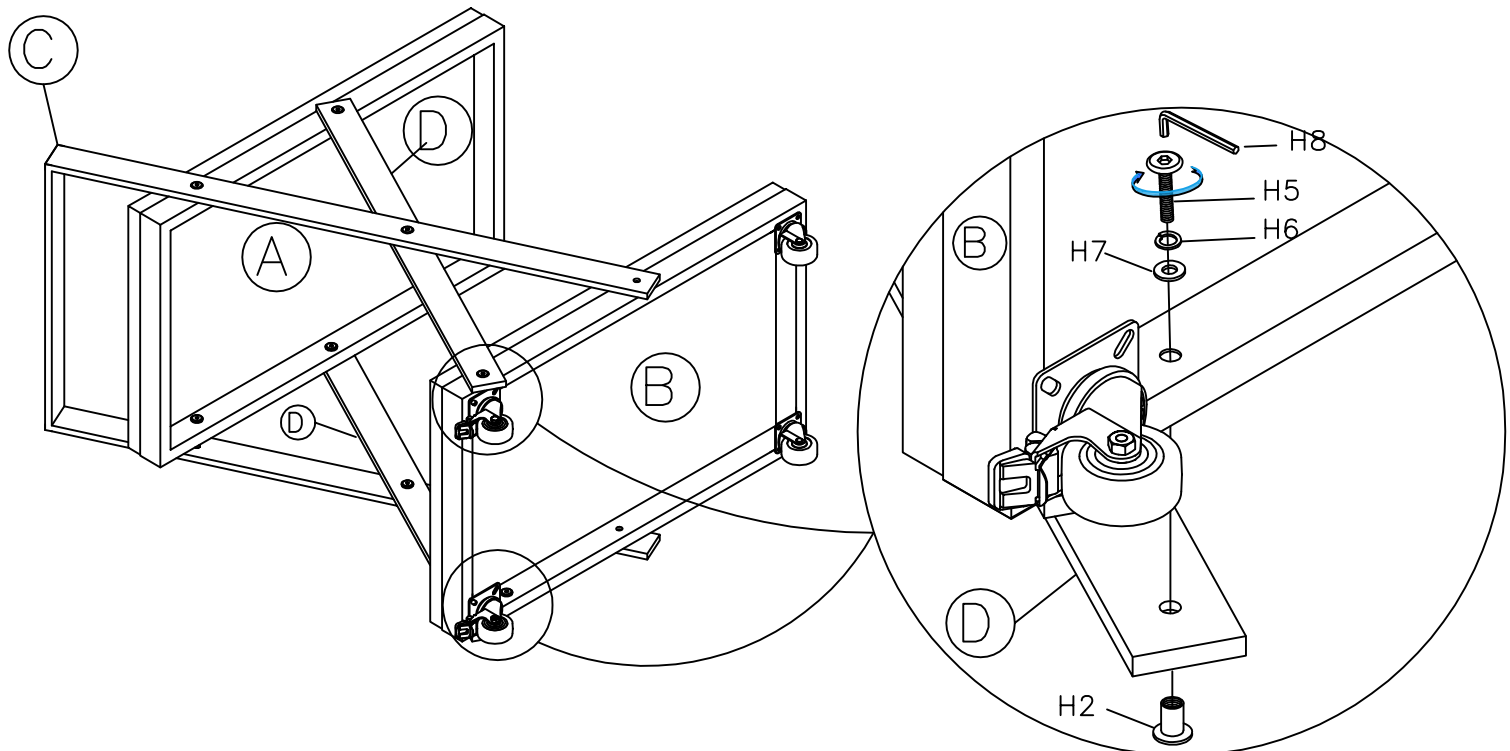
STEP 2 (x1)



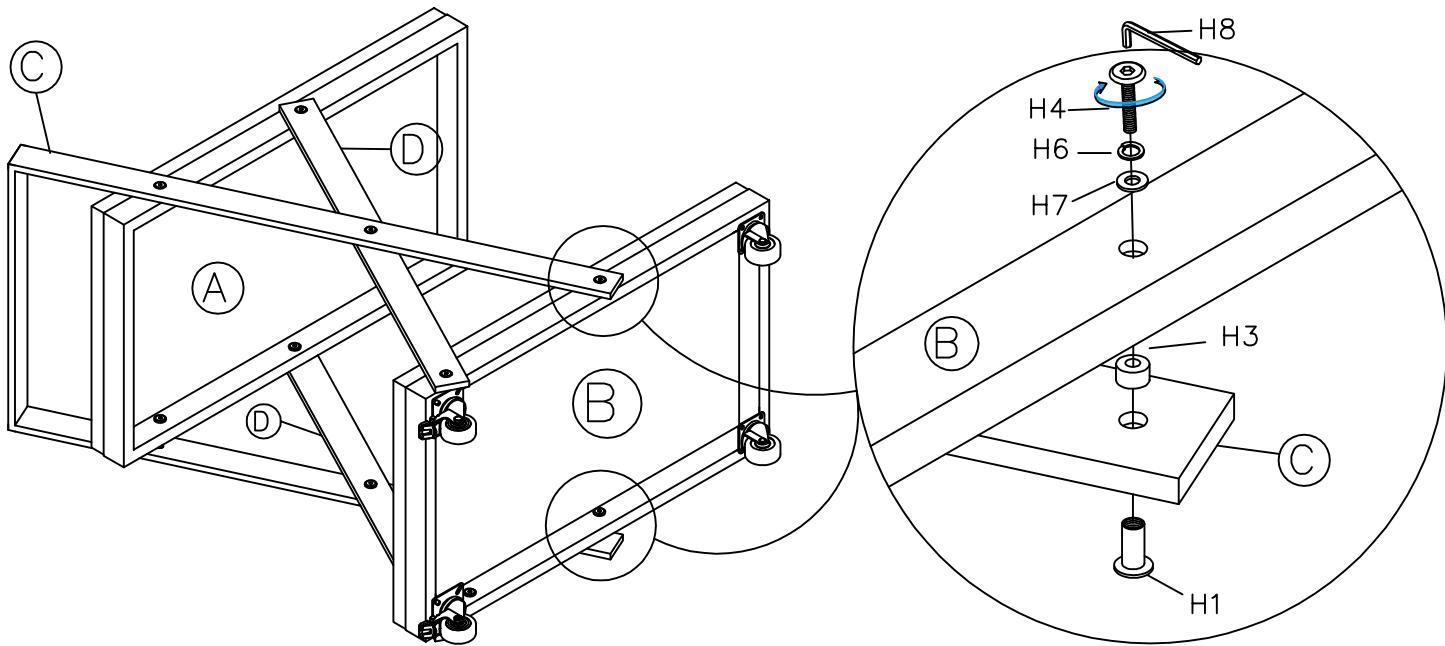
STEP 3 (x1)



STEP 4 (x1)



STEP 5 (x1)



COMPLETED

