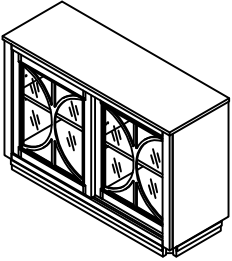







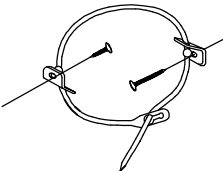


**ASSEMBLY INSTRUCTIONS**  
**ITEM # : 30064-92-01/02/03**  
**MELROSE ACCT CABINET**

## MELROSE ACCT CABINET PARTS & HARDWARE LIST

 <p>(A) CABINETS x 1</p>	 <p>(B) FRONT LEGS x 2</p>	 <p>(C) BACK LEGS LEFT x 1</p>	 <p>(D) BACK LEGS RIGHT x 1</p>
<p>(H1)</p>  <p>ALLEN BOLT x 8 (Ø1/4" *50 MM)</p>	<p>(H2)</p>  <p>FLAT WASHER x 8 (Ø1/4")</p>	<p>(H3)</p>  <p>SPRING WASHER x 8 (Ø1/4")</p>	<p>(H4)</p>  <p>ALLEN KEY x 1 (M4)</p>
<p>(H4)</p>  <p>TIPPING RESTRAINT x 1</p>			

**Customer Service Contact Information:**

Toll Free Phone Number: 1-844-771-2727

Email: [consumercare@lanefurniture.com](mailto:consumercare@lanefurniture.com)

Website: [www.lanefurniture.com](http://www.lanefurniture.com)

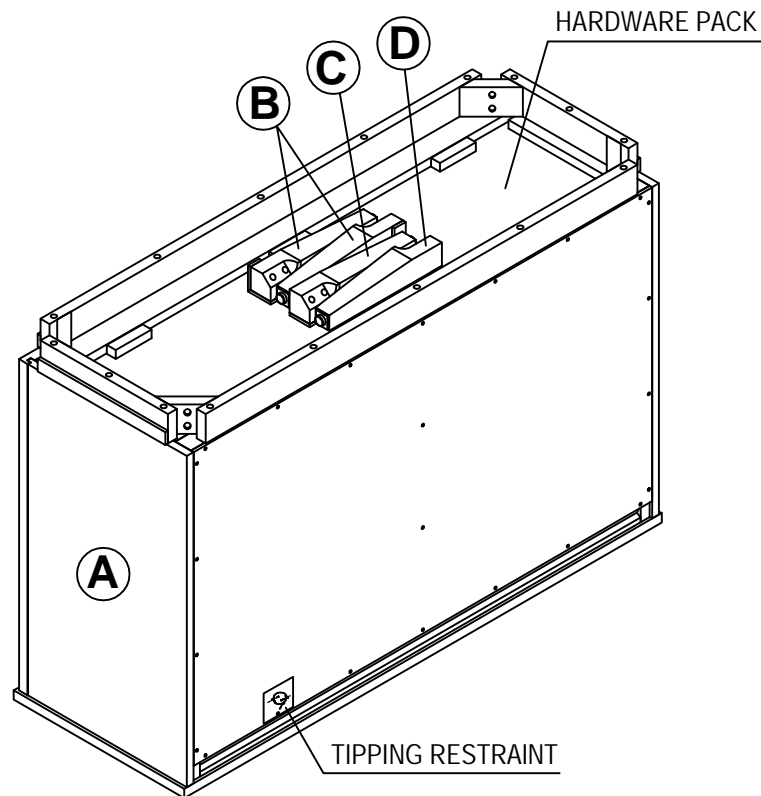
**NOTES :**

1. CHECK CAREFULLY FOR SMALL PARTS WHICH MAY COME LOOSE DURING SHIPMENT.
2. REMOVE ALL COMPONENTS FROM THE PACK AND PLACE ON A CLEAN, SOFT SURFACE TO ASSEMBLE.
3. UNITS SHOULD BE ASSEMBLED BY TWO OR MORE PEOPLE.
4. DO NOT OVER - TIGHTEN SCREW/ BOLTS UNTIL ASSEMBLY IS COMPLETED.
5. WITH USE, SCREW/ BOLT MAY BE COME LOOSE & MUST BE TIGHTENED PERIODICALLY.



---

## MELROSE ACCT CABINET PARTS & HARDWARE LIST



---

**Customer Service Contact Information:**

Toll Free Phone Number: 1-844-771-2727

Email: [consumercare@lanefurniture.com](mailto:consumercare@lanefurniture.com)

Website: [www.lanefurniture.com](http://www.lanefurniture.com)

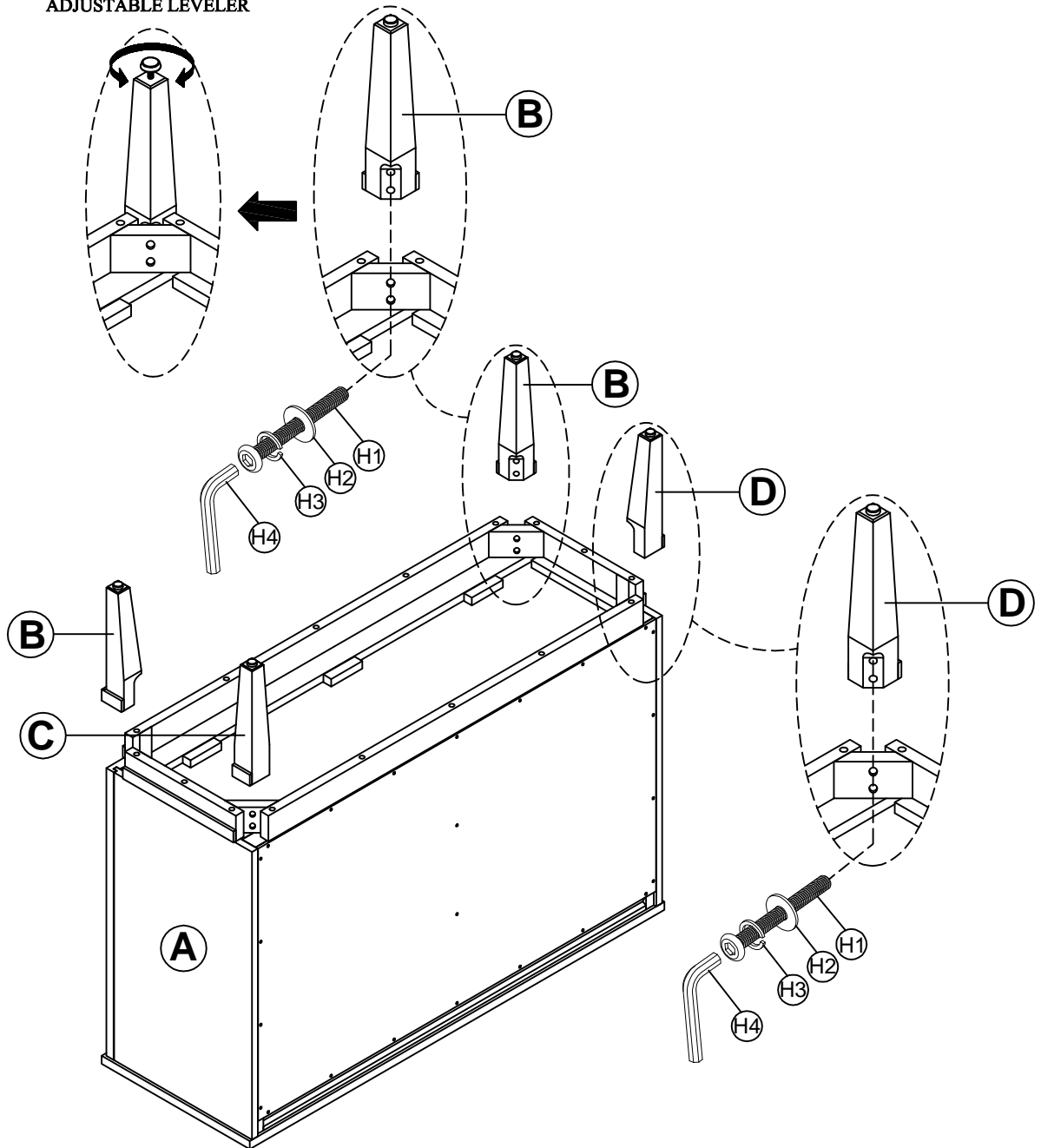
**NOTES :**

1. CHECK CAREFULLY FOR SMALL PARTS WHICH MAY COME LOOSE DURING SHIPMENT.
2. REMOVE ALL COMPONENTS FROM THE PACK AND PLACE ON A CLEAN, SOFT SURFACE TO ASSEMBLE.
3. UNITS SHOULD BE ASSEMBLED BY TWO OR MORE PEOPLE.
4. DO NOT OVER - TIGHTEN SCREW/ BOLTS UNTIL ASSEMBLY IS COMPLETED.
5. WITH USE, SCREW/ BOLT MAY BE COME LOOSE & MUST BE TIGHTENED PERIODICALLY.



ADJUSTABLE LEVELER

STEP 1



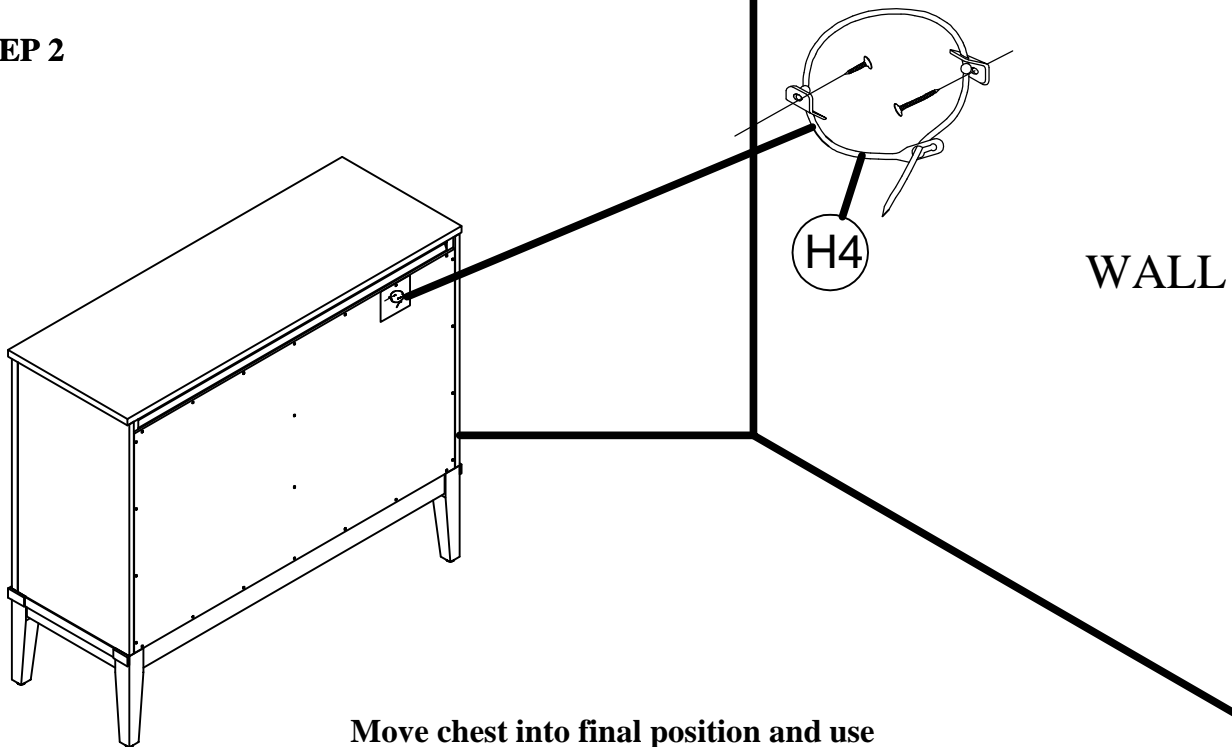
Customer Service Contact Information:  
Toll Free Phone Number: 1-844-771-2727  
Email: [consumercare@lanefurniture.com](mailto:consumercare@lanefurniture.com)  
Website: [www.lanefurniture.com](http://www.lanefurniture.com)

NOTES :

1. CHECK CAREFULLY FOR SMALL PARTS WHICH MAY COME LOOSE DURING SHIPMENT.
2. REMOVE ALL COMPONENTS FROM THE PACK AND PLACE ON A CLEAN, SOFT SURFACE TO ASSEMBLE.
3. UNITS SHOULD BE ASSEMBLED BY TWO OR MORE PEOPLE.
4. DO NOT OVER - TIGHTEN SCREW/ BOLTS UNTIL ASSEMBLY IS COMPLETED.
5. WITH USE, SCREW/ BOLT MAY BE COME LOOSE & MUST BE TIGHTENED PERIODICALLY.



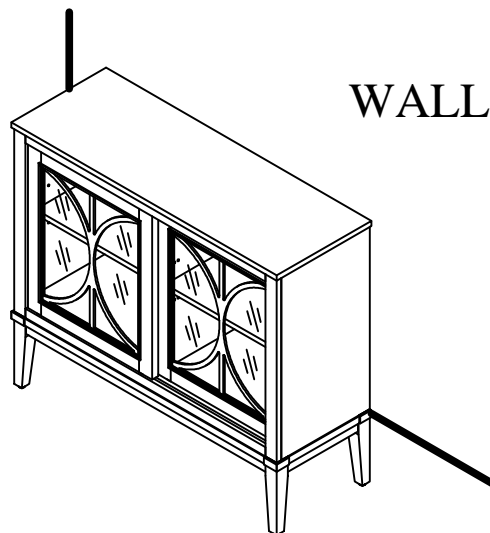
**STEP 2**



Move chest into final position and use tipping restraint to attach to the wall.

**STEP 3**

**COMPLETED ASSEMBLY**



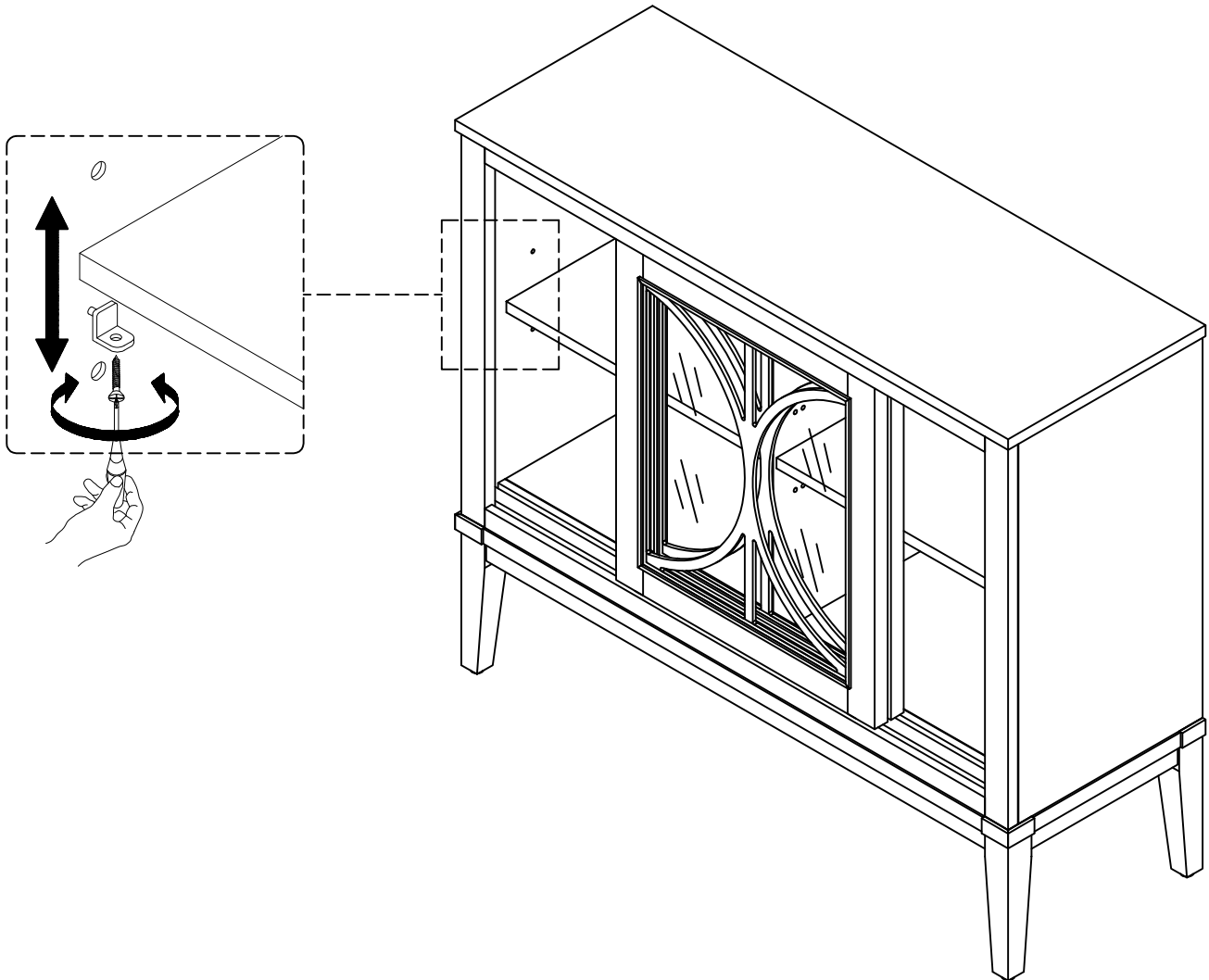
Customer Service Contact Information:  
Toll Free Phone Number: 1-844-771-2727  
Email: [consumercare@lanefurniture.com](mailto:consumercare@lanefurniture.com)  
Website: [www.lanefurniture.com](http://www.lanefurniture.com)

NOTES :

1. CHECK CAREFULLY FOR SMALL PARTS WHICH MAY COME LOOSE DURING SHIPMENT.
2. REMOVE ALL COMPONENTS FROM THE PACK AND PLACE ON A CLEAN, SOFT SURFACE TO ASSEMBLE.
3. UNITS SHOULD BE ASSEMBLED BY TWO OR MORE PEOPLE.
4. DO NOT OVER - TIGHTEN SCREW/ BOLTS UNTIL ASSEMBLY IS COMPLETED.
5. WITH USE, SCREW/ BOLT MAY BE COME LOOSE & MUST BE TIGHTENED PERIODICALLY.



**STEP 4**



**Customer Service Contact Information:**

Toll Free Phone Number: 1-844-771-2727

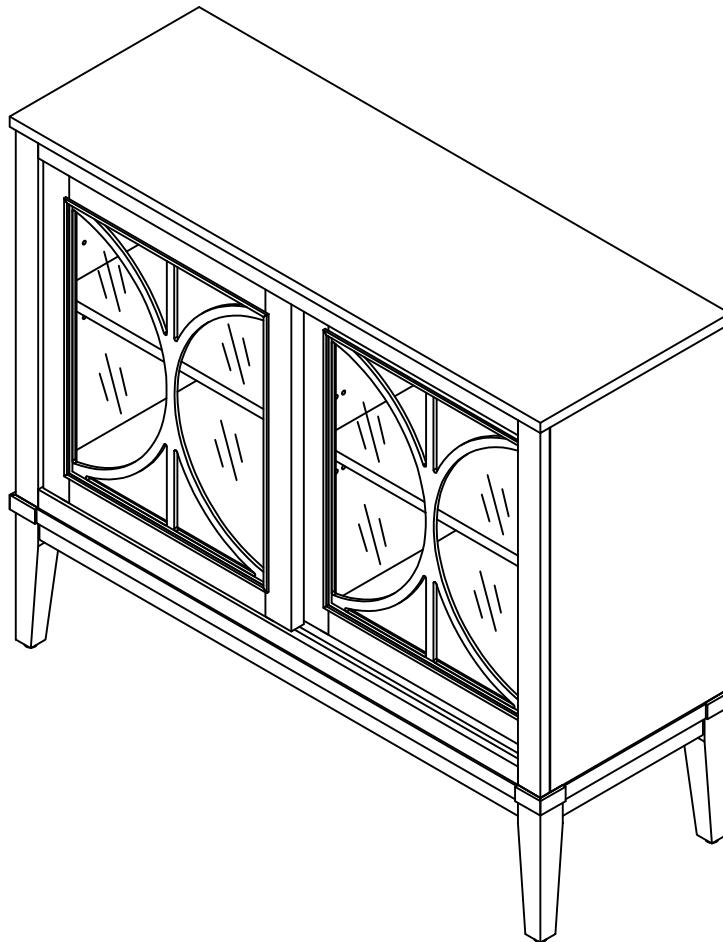
Email: [consumercare@lanefurniture.com](mailto:consumercare@lanefurniture.com)

Website: [www.lanefurniture.com](http://www.lanefurniture.com)

**NOTES :**

1. CHECK CAREFULLY FOR SMALL PARTS WHICH MAY COME LOOSE DURING SHIPMENT.
2. REMOVE ALL COMPONENTS FROM THE PACK AND PLACE ON A CLEAN, SOFT SURFACE TO ASSEMBLE.
3. UNITS SHOULD BE ASSEMBLED BY TWO OR MORE PEOPLE.
4. DO NOT OVER - TIGHTEN SCREW/ BOLTS UNTIL ASSEMBLY IS COMPLETED.
5. WITH USE, SCREW/ BOLT MAY BE COME LOOSE & MUST BE TIGHTENED PERIODICALLY.





## **ASSEMBLY COMPLETED**

**Customer Service Contact Information:**

Toll Free Phone Number: 1-844-771-2727

Email: [consumercare@lanefurniture.com](mailto:consumercare@lanefurniture.com)

Website: [www.lanefurniture.com](http://www.lanefurniture.com)

**NOTES :**

1. CHECK CAREFULLY FOR SMALL PARTS WHICH MAY COME LOOSE DURING SHIPMENT.
2. REMOVE ALL COMPONENTS FROM THE PACK AND PLACE ON A CLEAN, SOFT SURFACE TO ASSEMBLE.
3. UNITS SHOULD BE ASSEMBLED BY TWO OR MORE PEOPLE.
4. DO NOT OVER - TIGHTEN SCREW/ BOLTS UNTIL ASSEMBLY IS COMPLETED.
5. WITH USE, SCREW/ BOLT MAY BE COME LOOSE & MUST BE TIGHTENED PERIODICALLY.

