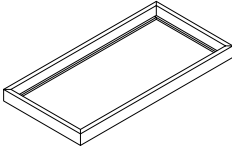
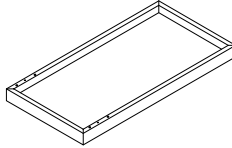
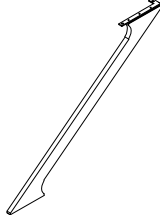
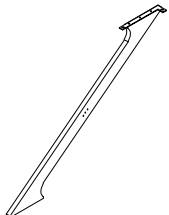
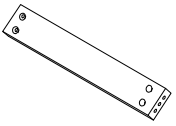
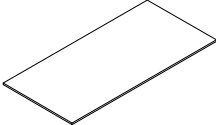


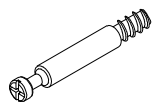



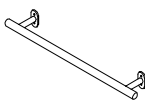

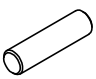




ASSEMBLY INSTRUCTIONS
ITEM # : 30032-11
Z BAR CART

Z BAR CART PARTS & HARDWARE LIST

 (A) TOP FRAME x 1	 (B) BOTTOM SHELF x 1	 (C) LEGS x 1	 (D) LEGS x 1
 (E) STRETCHER x 1	 (F) TEMPERED GLASS 854*410*8MM		
 (H1) ALLEN BOLT x 4 (Ø1/4" *60 MM)	 (H2) ALLEN BOLT x 4 (Ø1/4" *25 MM)	 (H3) Cam Rods x x4 (M6*30 MM)	 (H4) Cam Lock x 4 (Ø1/4"*16*1.5)
 (H5) SPRING WASHER x 8 (Ø1/4")	 (H6) FLAT WASHER x 8 (Ø1/4"*16*1.5)	 (H7) HANDLE 380*60*42MM	 (H8) Wood Screw x 4 (#3.5*20mm)
 (H9) DOWEL x 4 (Ø8*30mm)	 (H10) CASTER x 4 (#3.5*20mm)	 (H11) ALLEN KEY x 1 (M4)	

Customer Service Contact Information:

Toll Free Phone Number: 1-844-771-2727

Email: consumercare@lanefurniture.com

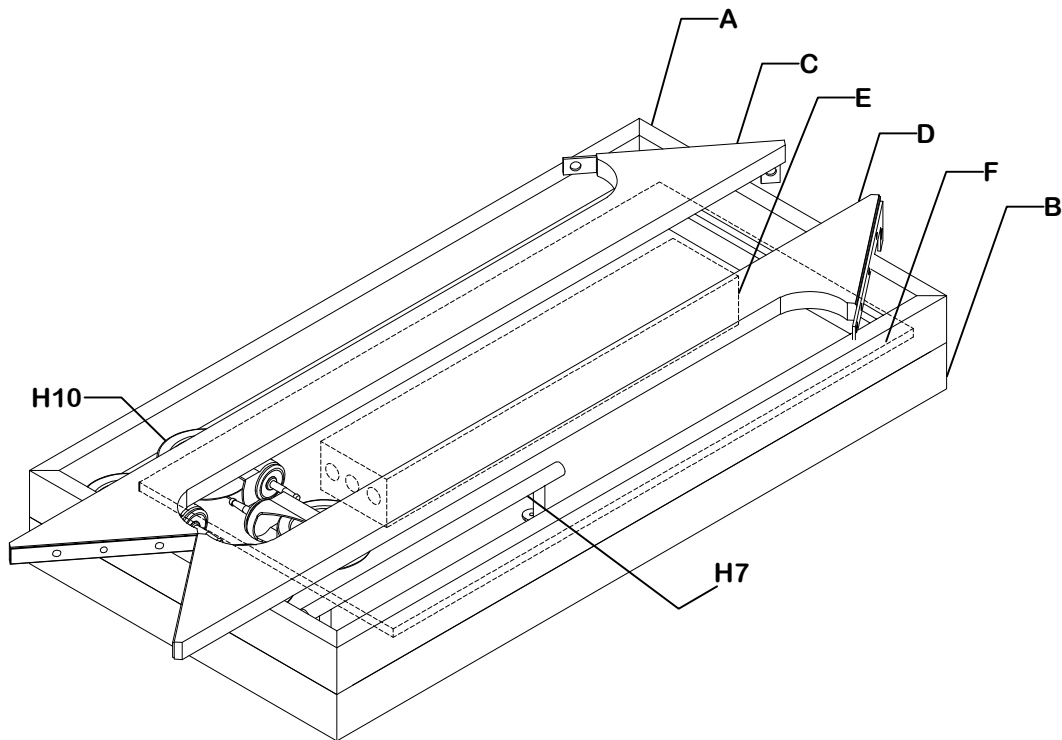
Website: www.lanefurniture.com

NOTES :

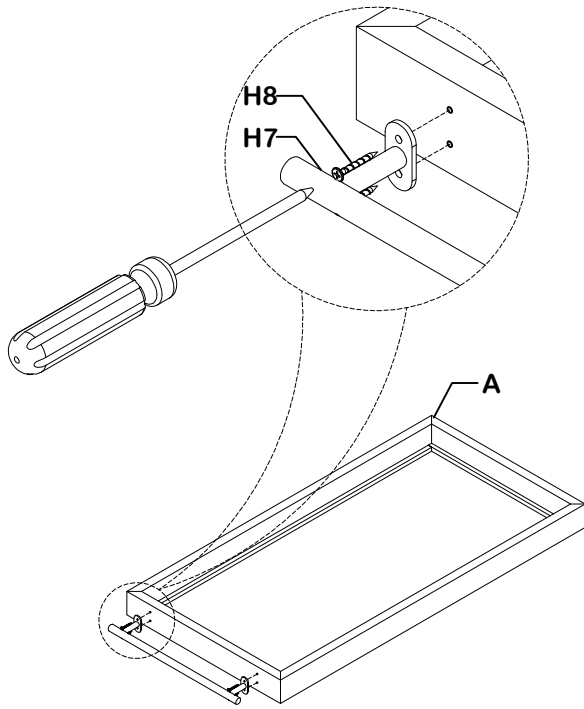
1. CHECK CAREFULLY FOR SMALL PARTS WHICH MAY COME LOOSE DURING SHIPMENT.
2. REMOVE ALL COMPONENTS FROM THE PACK AND PLACE ON A CLEAN, SOFT SURFACE TO ASSEMBLE.
3. UNITS SHOULD BE ASSEMBLED BY TWO OR MORE PEOPLE.
4. DO NOT OVER - TIGHTEN SCREW/ BOLTS UNTIL ASSEMBLY IS COMPLETED.
5. WITH USE, SCREW/ BOLT MAY BE COME LOOSE & MUST BE TIGHTENED PERIODICALLY.



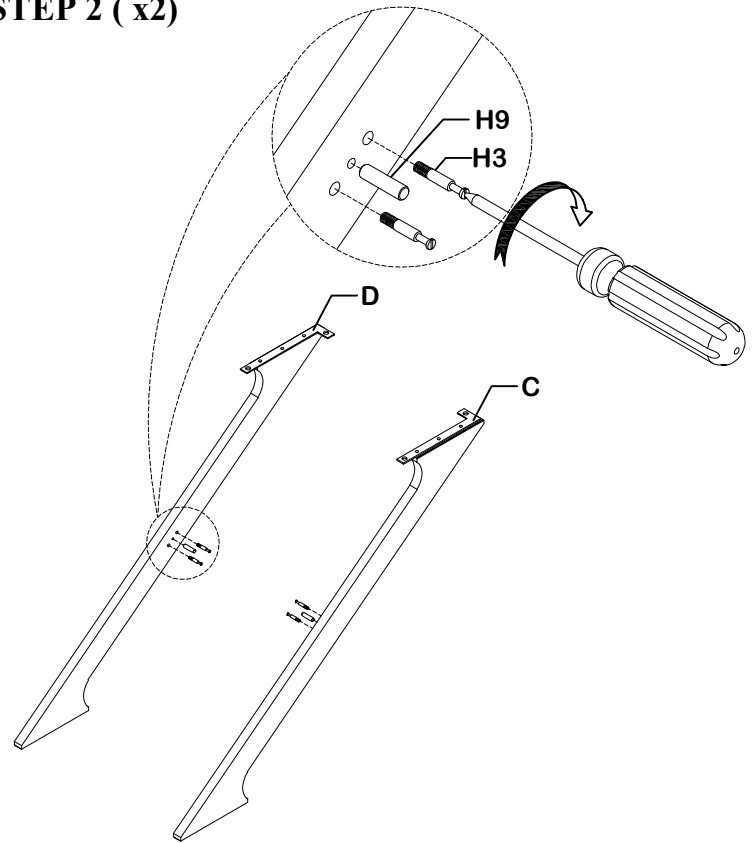
HARDWARE BLISTER PACKS ARE STORED INSIDE THE Z BAR CART



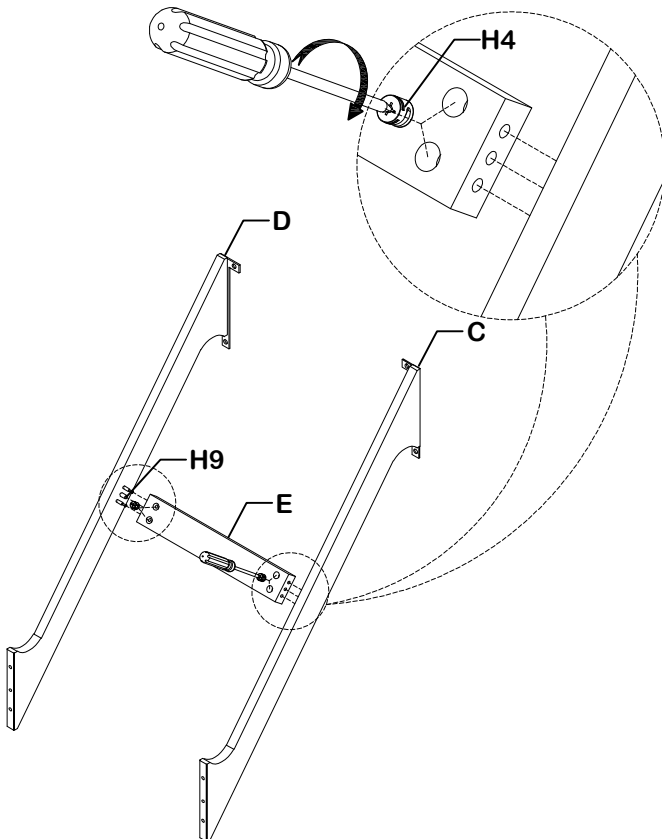
STEP 1 (x1)



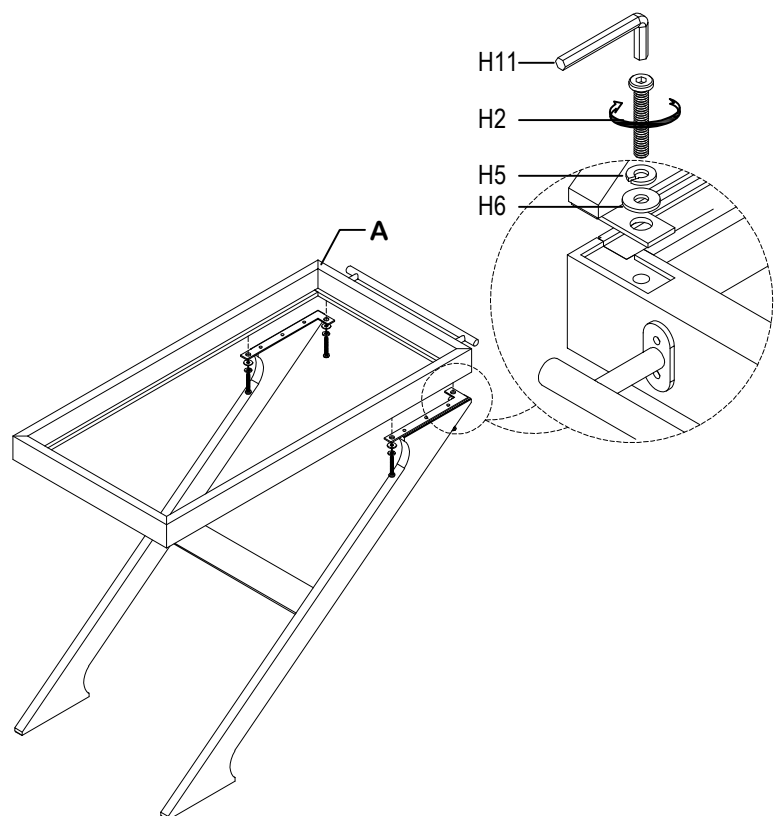
STEP 2 (x2)



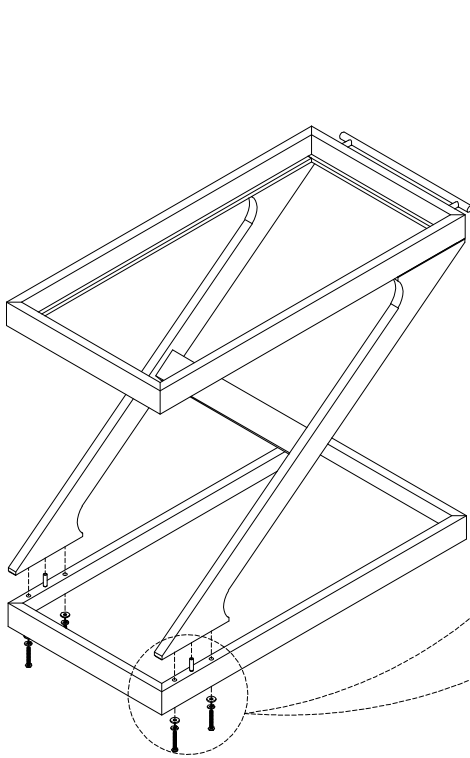
STEP 3 (x2)



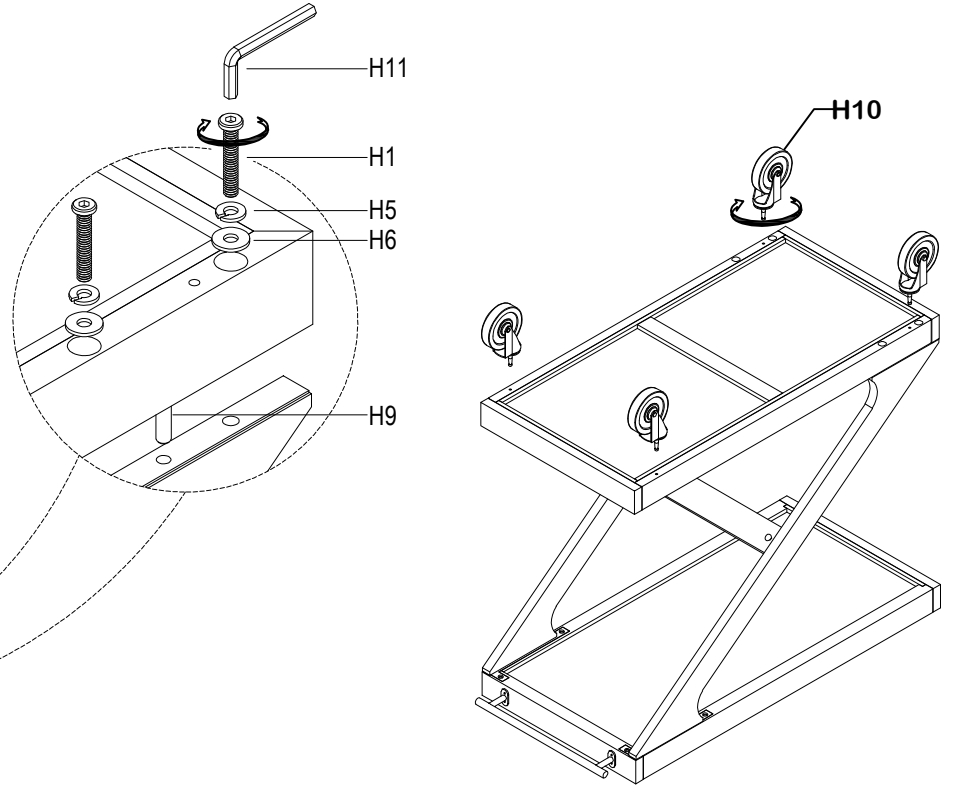
STEP 4 (x1)



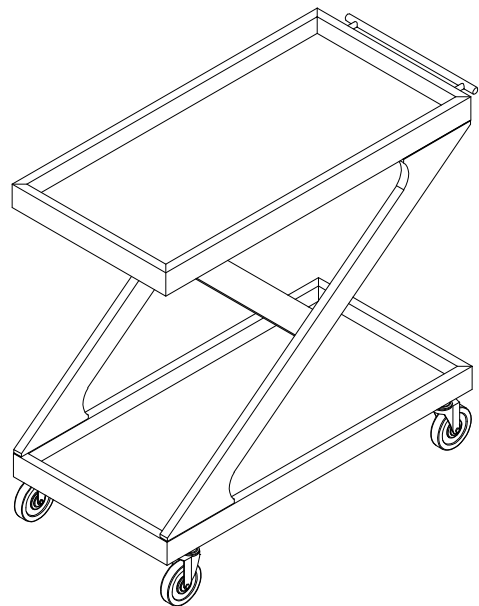
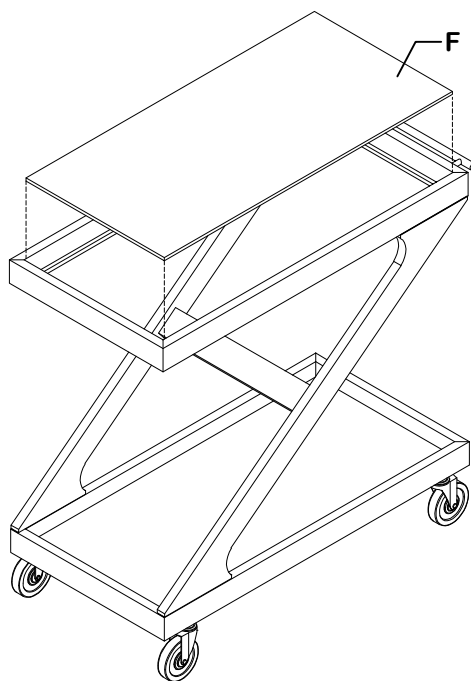
STEP 5 (x1)



STEP 6 (x4)



STEP 7 (x1)



CART ASSEMBLY COMPLETED