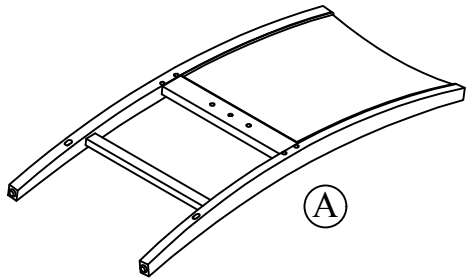
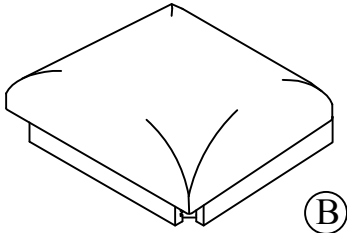
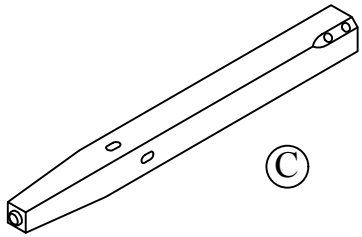
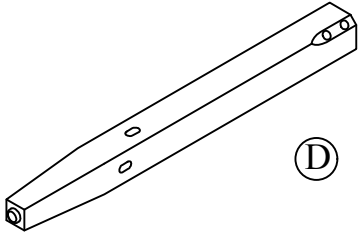
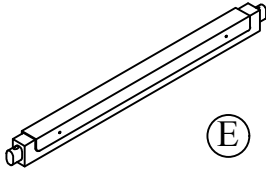
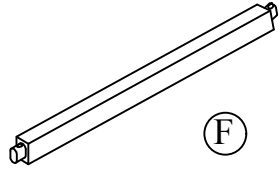
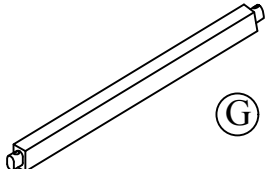
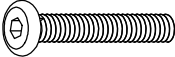

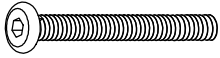


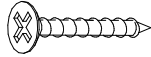



ASSEMBLY INSTRUCTIONS
ITEM # : 60583-52-01 BELLEVUE CNTR HGT STOOL 2CT

60583-52 PARTS & HARDWARE LIST

Please assemble with the tool provided or recommended. Do not use an impact drill.

 <p>(A) CHAIR BACK x 2</p>	 <p>(B) CUSHION SEAT x 2</p>	 <p>(C) LEFT FRONT LEG x 2</p>
 <p>(D) RIGHT FRONT LEG x 2</p>	 <p>(E) FRONT STRETCHER x 2</p>	 <p>(F) LEFT SIDE STRETCHER x 2</p>
 <p>(G) RIGHT SIDE STRETCHER x 2</p>	<p>(H1) </p> <p>SHORT BOLT x 4 (Ø5/16" *38mm)</p>	<p>(H2) </p> <p>MEDIUM BOLT x 8 (Ø5/16" *50mm)</p>
<p>(H3) </p> <p>LONG BOLT x 8 (Ø5/16" *75mm)</p>	<p>(H4) </p> <p>SPRING WASHER x 20 (Ø5/16")</p>	<p>(H5) </p> <p>FLAT WASHER x 20 (Ø5/16")</p>
<p>(H6) </p> <p>SCREW x 12 (4x45mm)</p>	<p>(H7) </p> <p>ALLEN KEY x 1 (M4)</p>	

Customer Service Contact Information:

Toll Free Phone Number: 1-844-771-2727

Email: consumercare@lanefurniture.com

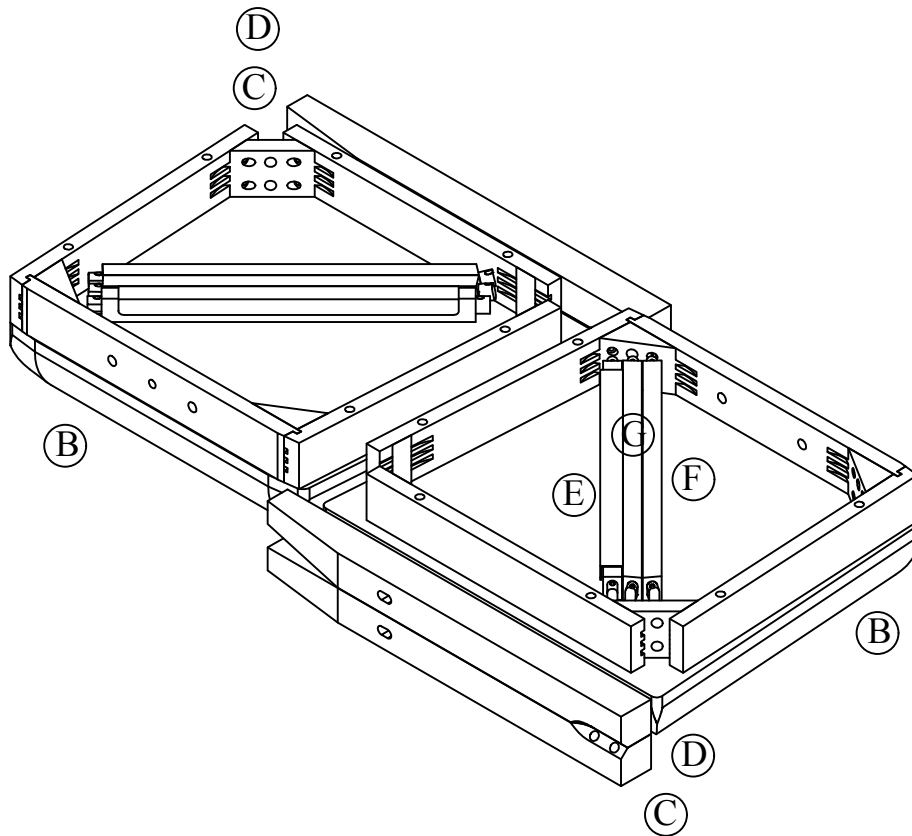
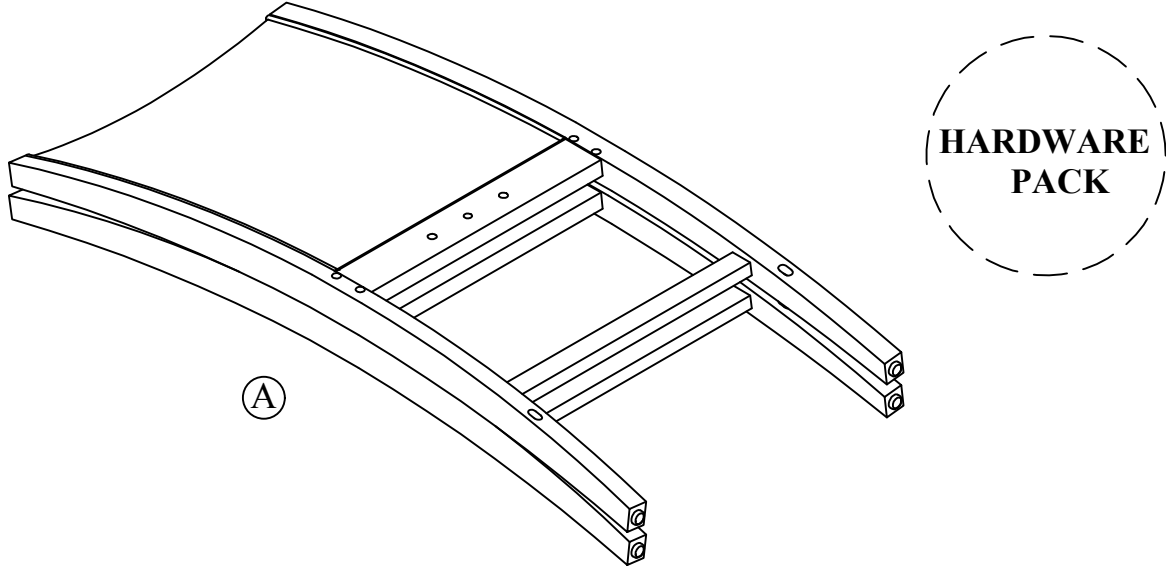
Website: www.lanefurniture.com

NOTES :

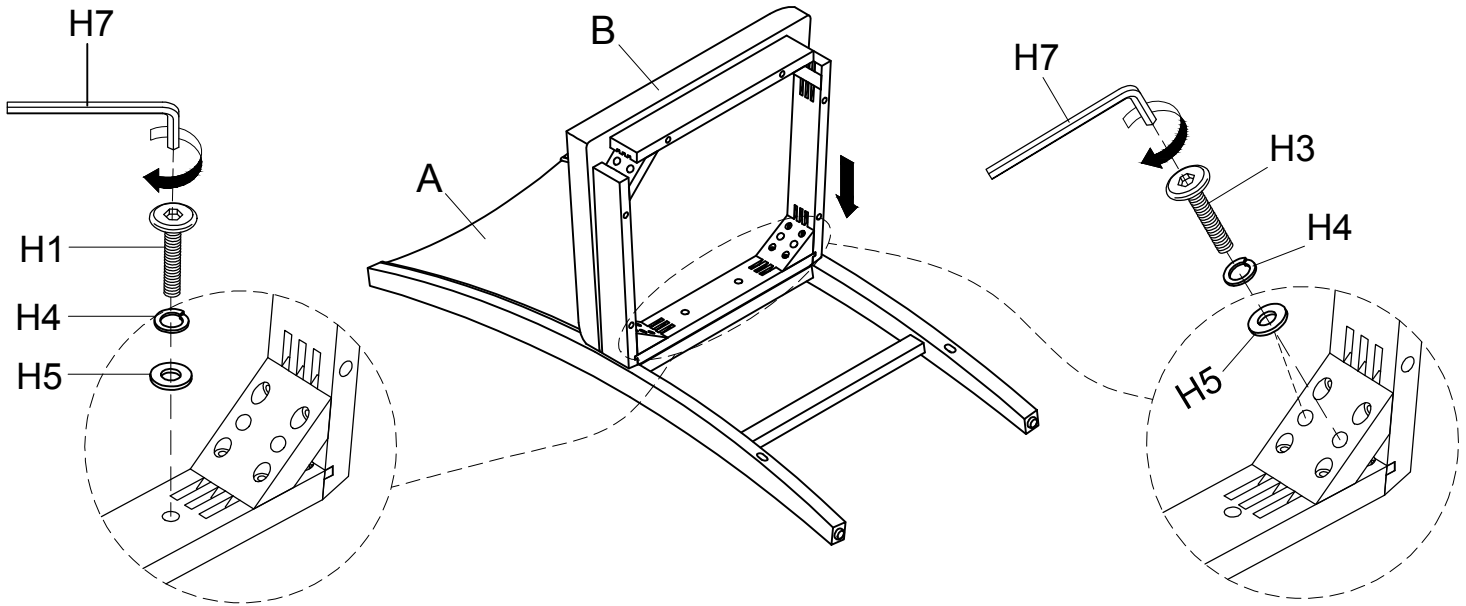
1. CHECK CAREFULLY FOR SMALL PARTS WHICH MAY COME LOOSE DURING SHIPMENT.
2. REMOVE ALL COMPONENTS FROM THE PACK AND PLACE ON A CLEAN, SOFT SURFACE TO ASSEMBLE.
3. UNITS SHOULD BE ASSEMBLED BY TWO OR MORE PEOPLE.
4. DO NOT OVER - TIGHTEN SCREW/ BOLTS UNTIL ASSEMBLY IS COMPLETED.
5. WITH USE, SCREW/ BOLT MAY BE COME LOOSE & MUST BE TIGHTENED PERIODICALLY.



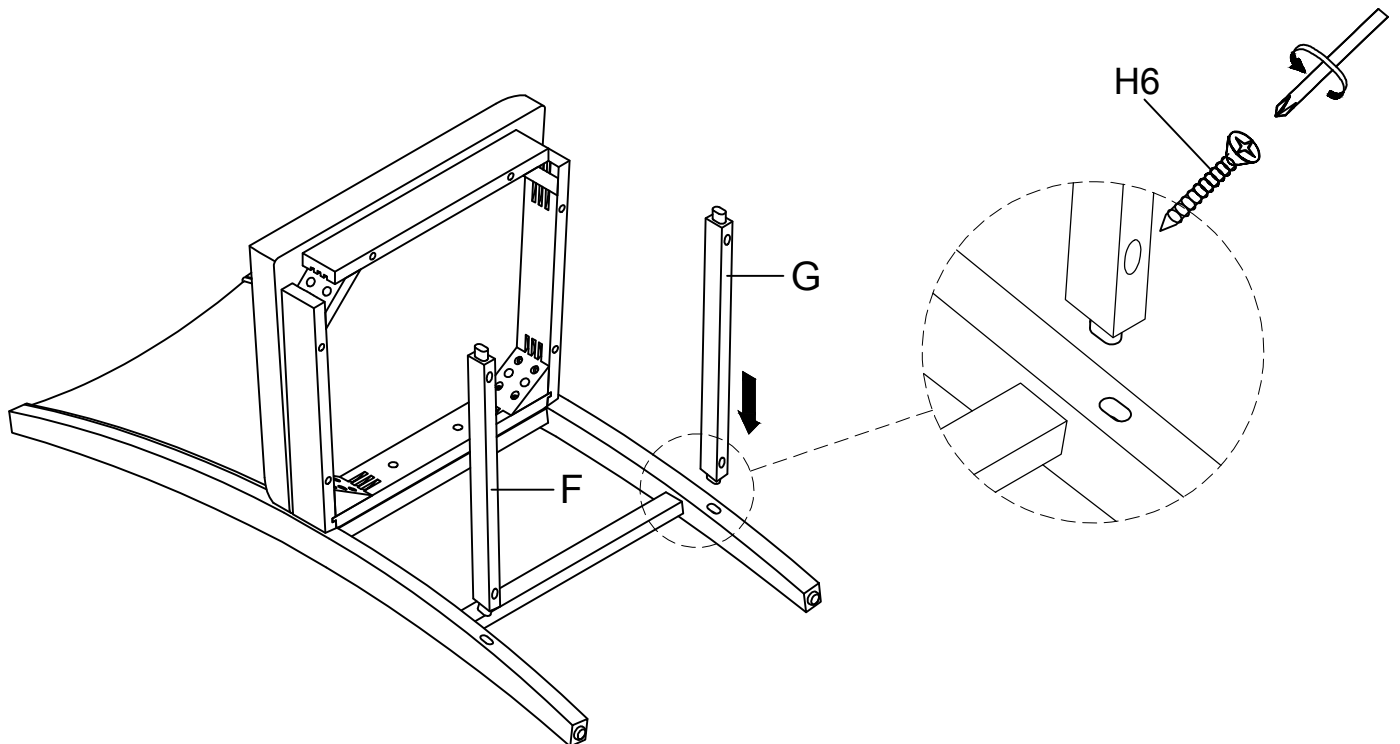
HARDWARE BLISTER PACK IS STORED ON THE TOP OF THE CHAIR BACK.



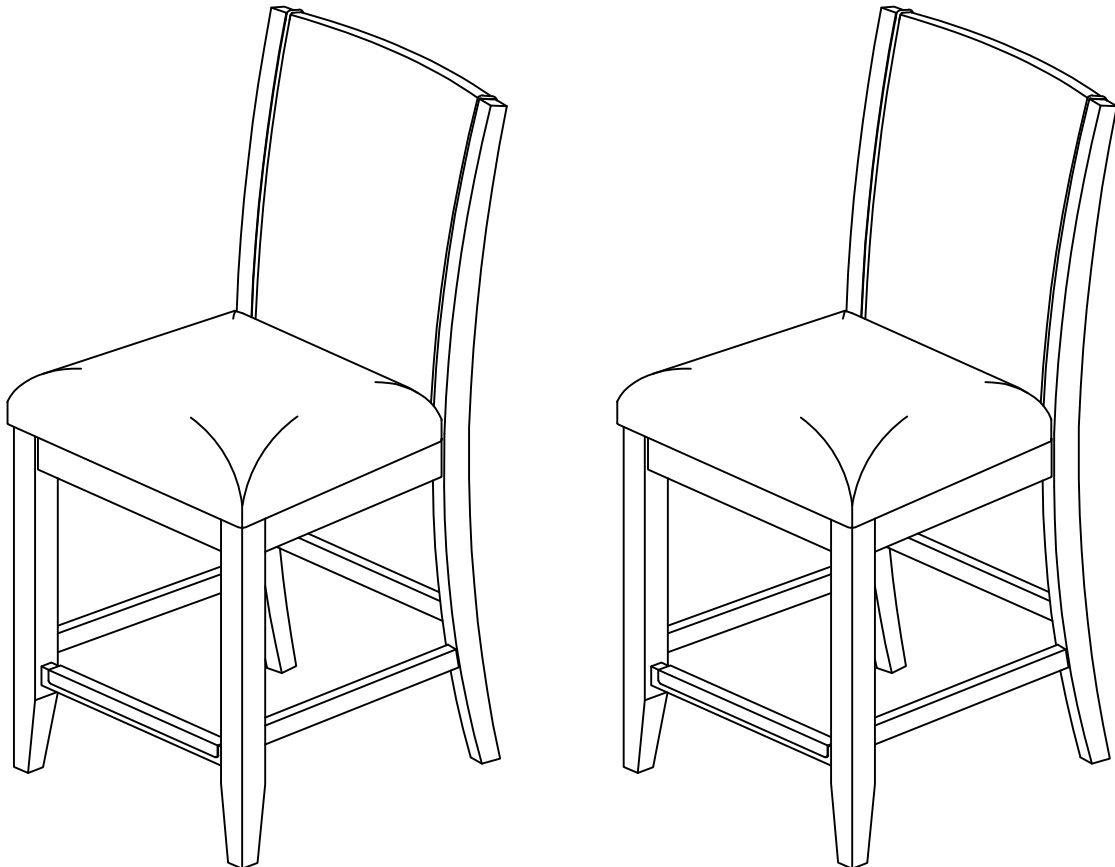
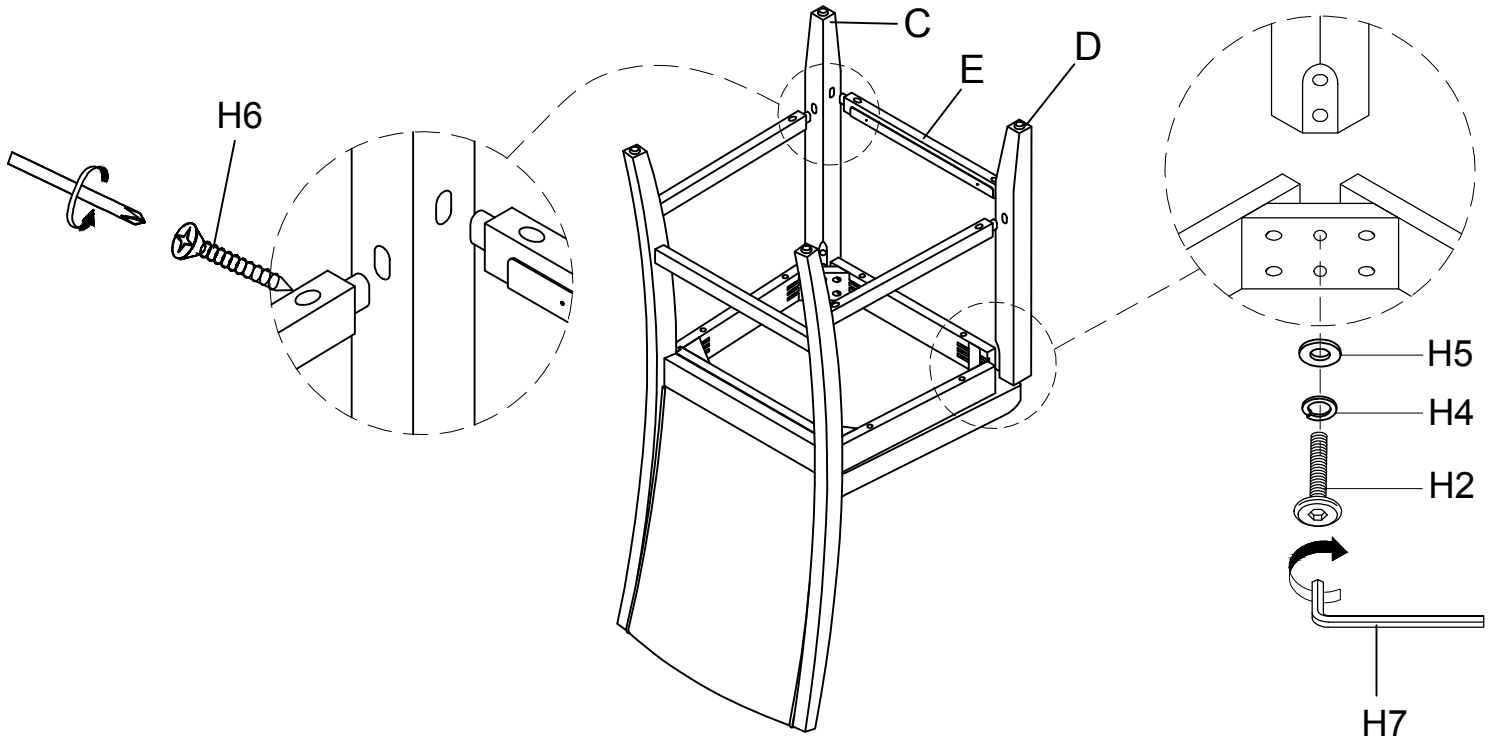
STEP 1 (x2) Do not over-tighten the bolts. Make sure you use the lock washers to ensure the bolts stay fastened.



STEP 2 (x2) Do not over-tighten the bolts. Make sure you use the lock washers to ensure the bolts stay fastened.



STEP 3 (x2) Do not over-tighten the bolts. Make sure you use the lock washers to ensure the bolts stay fastened.



CHAIR ASSEMBLY COMPLETED