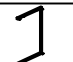







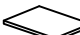
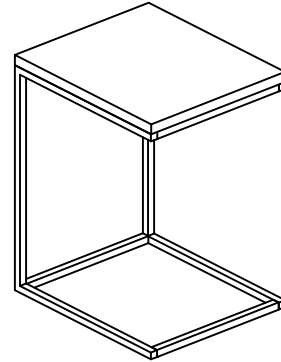


# ASSEMBLY INSTRUCTIONS

ITEM #7326-41  
Chairside Table

## 7326-41 Chairside Table Part List

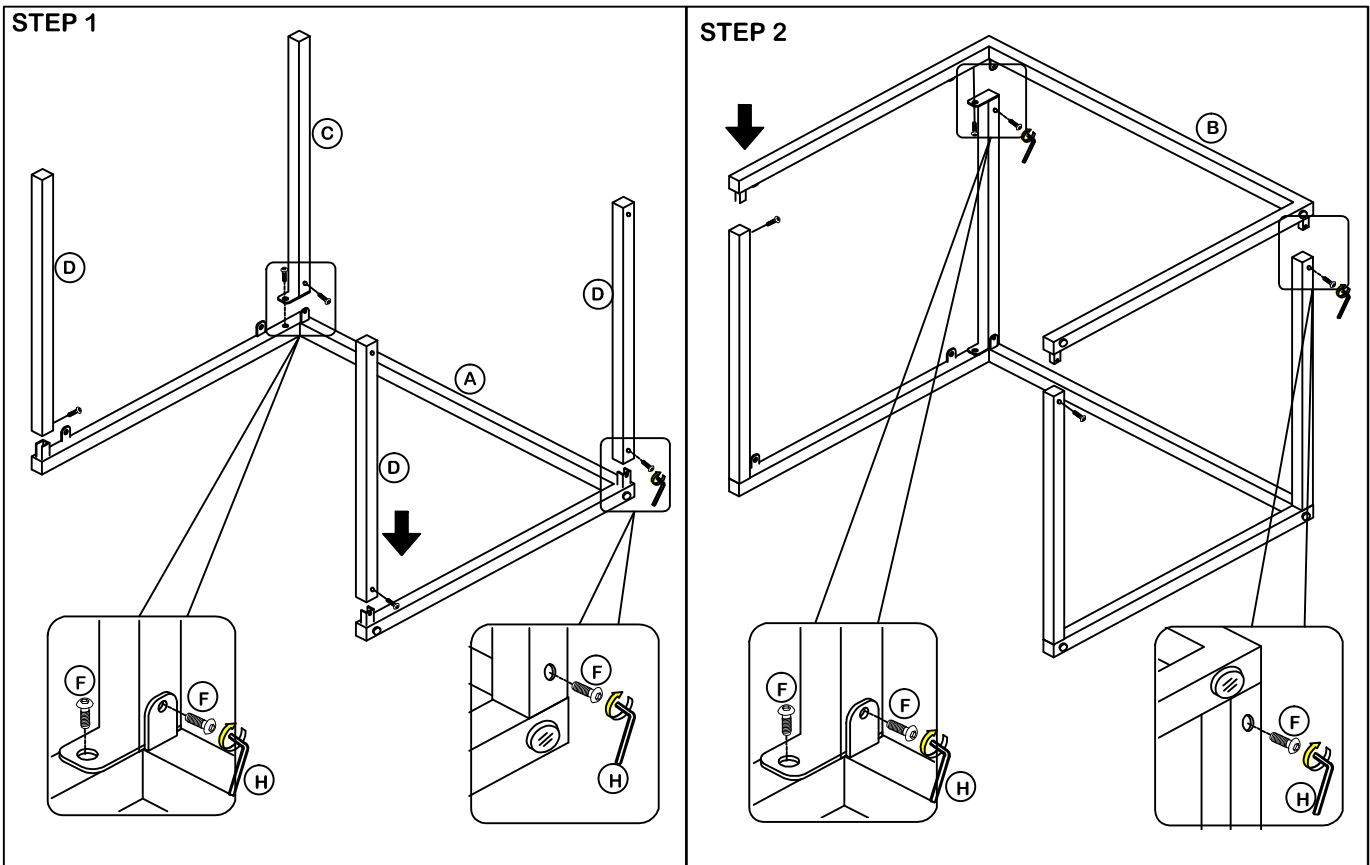
PART	DRAWING	DESCRIPTION	QTY	PART	DRAWING	DESCRIPTION	QTY
A		Table Base Frame Left	1	F		BOLT ¼*12mm	10
B		Table Base Frame Right	1	G		Screw	4
C		Connecting Post	1	H		Allen Key (M4)	1
D		Leg Post	3	I		Leveler (pre-assembled)	4
E		Table Top	1				



Console table  
Assembled

**NOTED:** If needed, only part F-I are available for replacement.

**IMPORTANT:** Do not fully tighten the bolts. Loose bolts will facilitate assembly in the following steps.



**United Wood Products, Inc. Customer Service Contact Information:**

Consumer care phone #: 1-844-771-2727

Email: [consumercare@ufurniture.com](mailto:consumercare@ufurniture.com)

Website: [www.lanefurniture.com](http://www.lanefurniture.com)

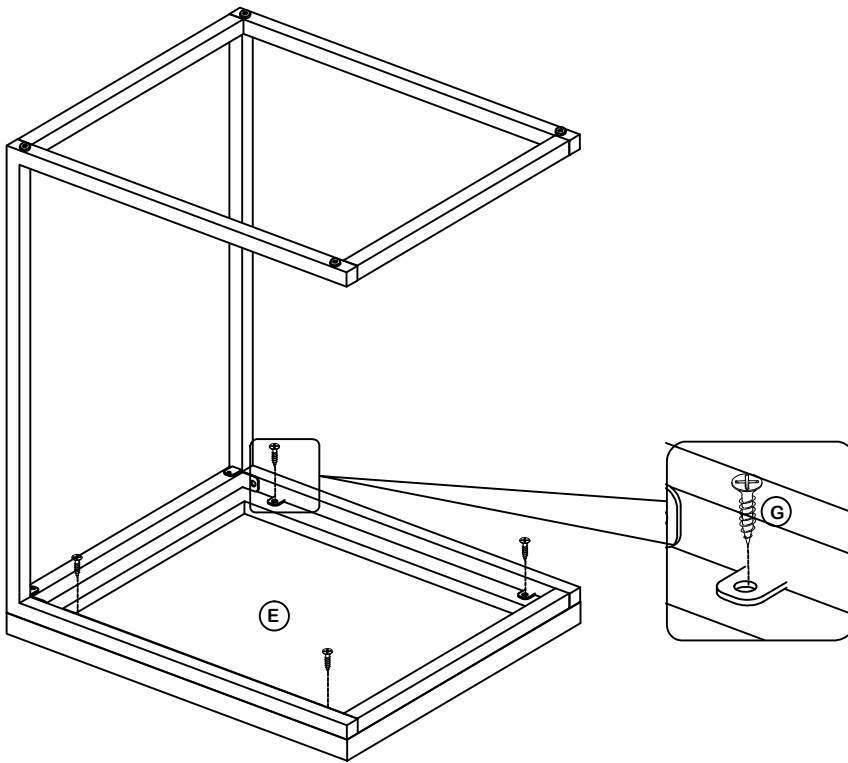
PLEASE NOTE: With use, screw may become loose & must be tightened periodically.

MADE IN CHINA

# ASSEMBLY INSTRUCTIONS

ITEM #7326-41  
Chairside Table

## STEP 3



**United Wood Products, Inc. Customer Service Contact Information:**

Consumer care phone #: 1-844-771-2727

Email: [consumercare@ufurniture.com](mailto:consumercare@ufurniture.com)

Website: [www.lanefurniture.com](http://www.lanefurniture.com)

PLEASE NOTE: With use, screw may become loose & must be tightened periodically.

MADE IN CHINA