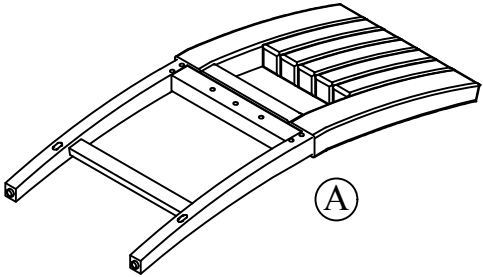
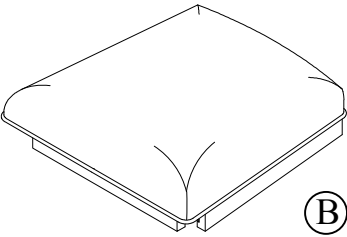
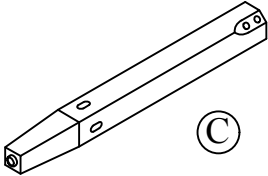
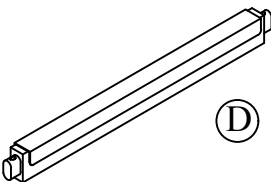
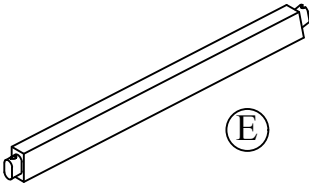
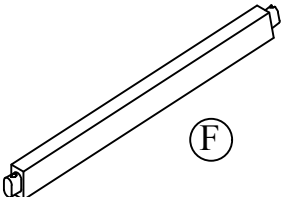


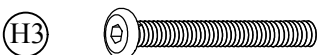






ASSEMBLY INSTRUCTIONS
ITEM # : 60562-63-01X COUNTER CHR 2/CTN MORRISON

60562-63-01X PARTS & HARDWARE LIST

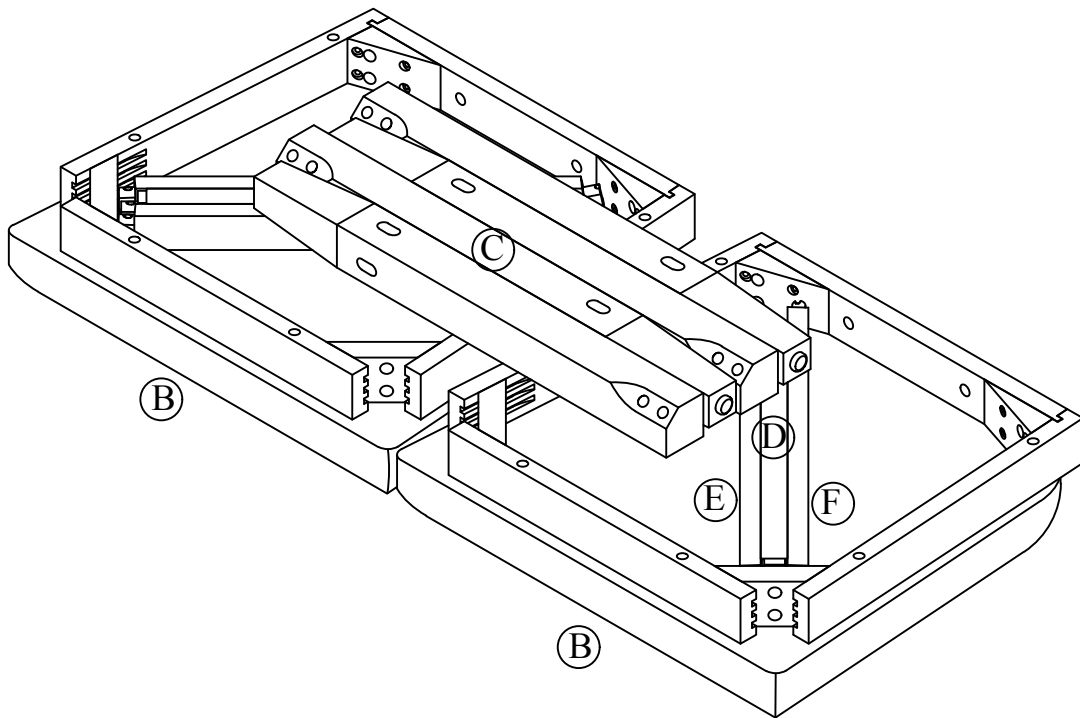
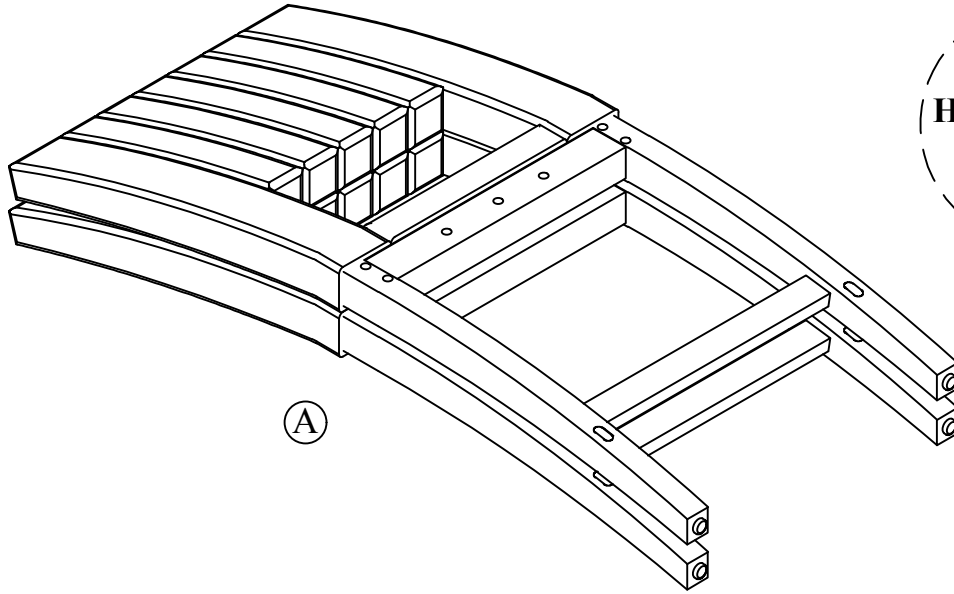
 <p>(A) CHAIR BACK x 2</p>	 <p>(B) CUSHION SEAT x 2</p>	 <p>(C) FRONT LEG x 4</p>
 <p>(D) FRONT STRETCHER x 2</p>	 <p>(E) LEFT SIDE STRETCHER x 2</p>	 <p>(F) RIGHT SIDE STRETCHER x 2</p>
 <p>(H1) SHORT BOLT x 4 (Ø5/16" *40mm)</p>	 <p>(H2) MEDIUM BOLT x 8 (Ø5/16" *55 mm)</p>	 <p>(H3) LONG BOLT x 8 (Ø5/16" *75mm)</p>
 <p>(H4) SPRING WASHER x 20 (Ø5/16")</p>	 <p>(H5) FLAT WASHER x 20 (Ø5/16")</p>	 <p>(H6) SCREW x 12 (4x38mm)</p>
 <p>(H7) ALLEN KEY x 1 (M4)</p>		

Customer Service Contact Information:
Toll Free Phone Number: 1-844-771-2727
Email: consumercare@lanefurniture.com
Website: www.lanefurniture.com

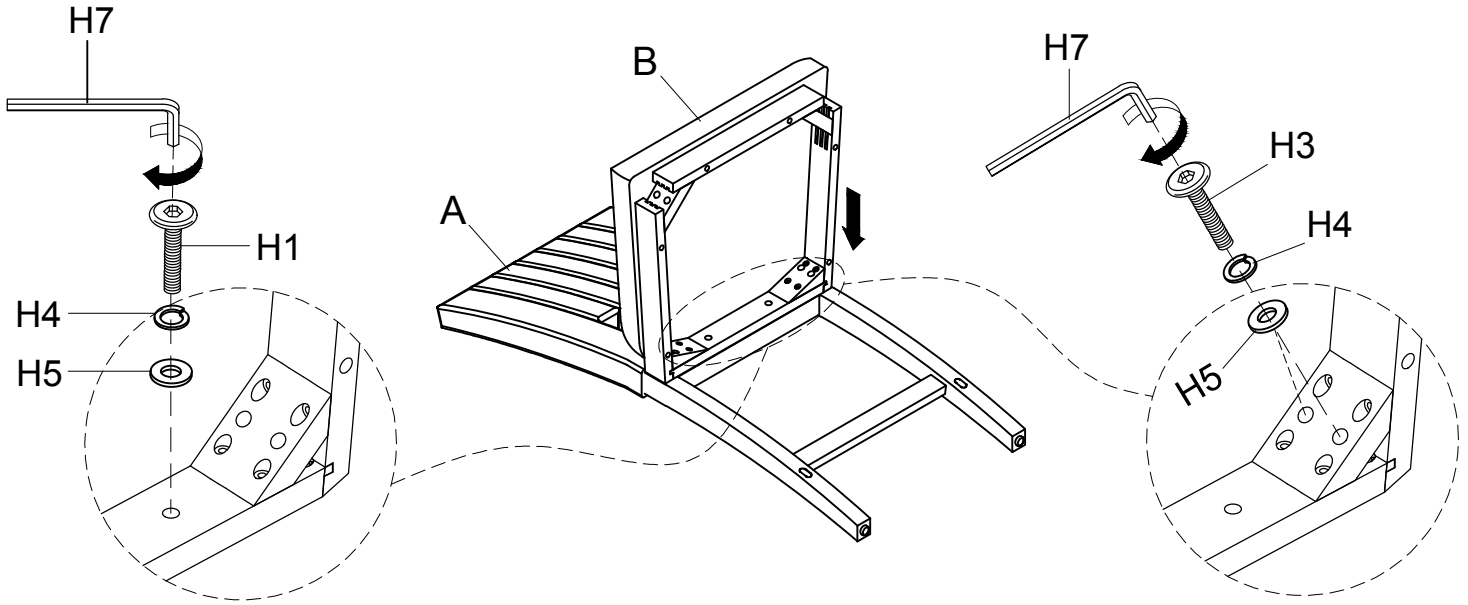
- NOTES :**
- CHECK CAREFULLY FOR SMALL PARTS WHICH MAY COME LOOSE DURING SHIPMENT.
 - REMOVE ALL COMPONENTS FROM THE PACK AND PLACE ON A CLEAN, SOFT SURFACE TO ASSEMBLE.
 - UNITS SHOULD BE ASSEMBLED BY TWO OR MORE PEOPLE.
 - DO NOT OVER - TIGHTEN SCREW/ BOLTS UNTIL ASSEMBLY IS COMPLETED.
 - WITH USE, SCREW/ BOLT MAY BE COME LOOSE & MUST BE TIGHTENED PERIODICALLY.



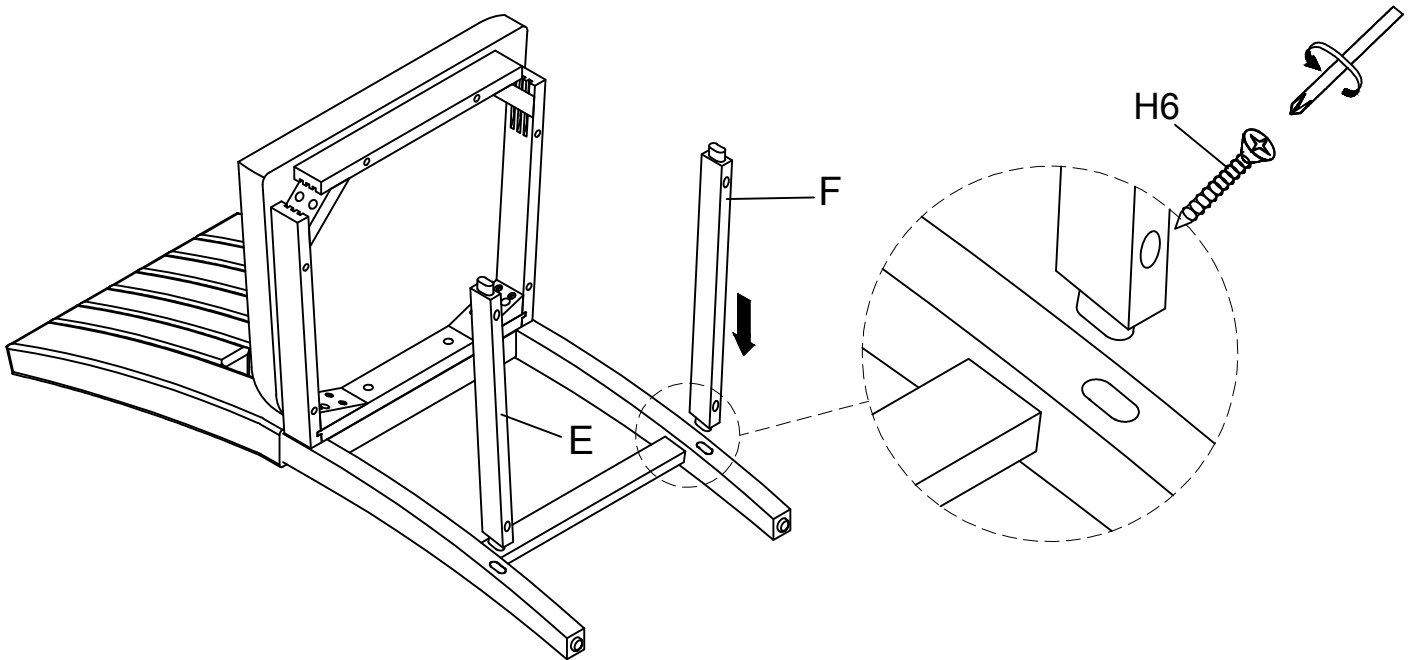
HARDWARE BLISTER PACK IS STORED ON THE TOP OF THE CHAIR BACK.



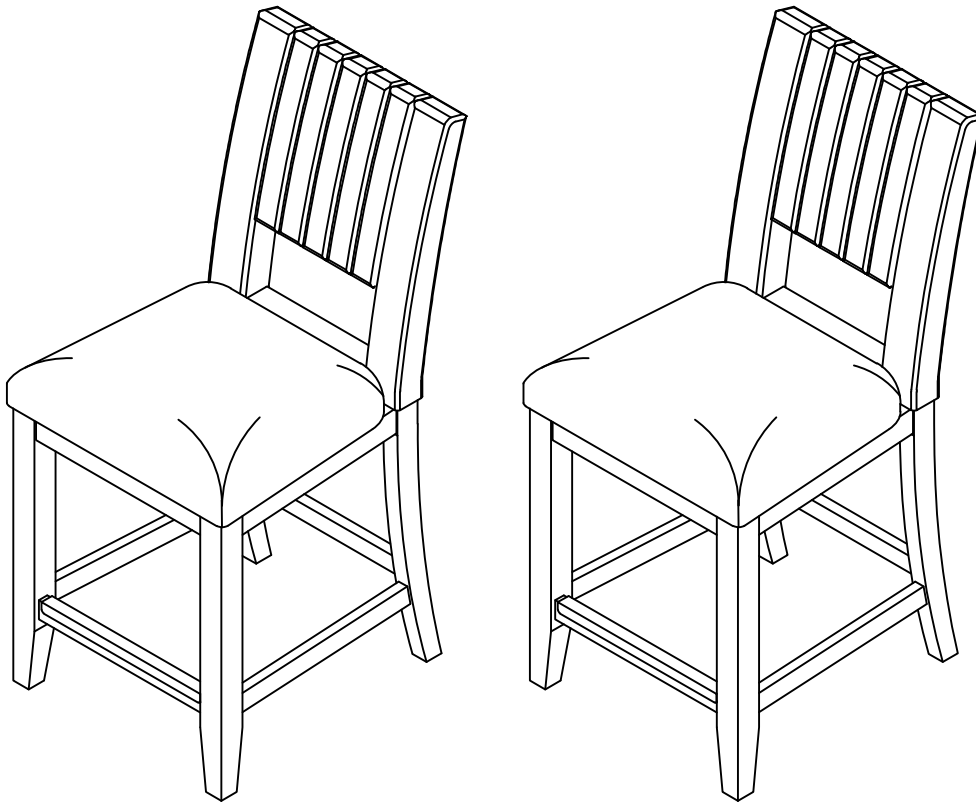
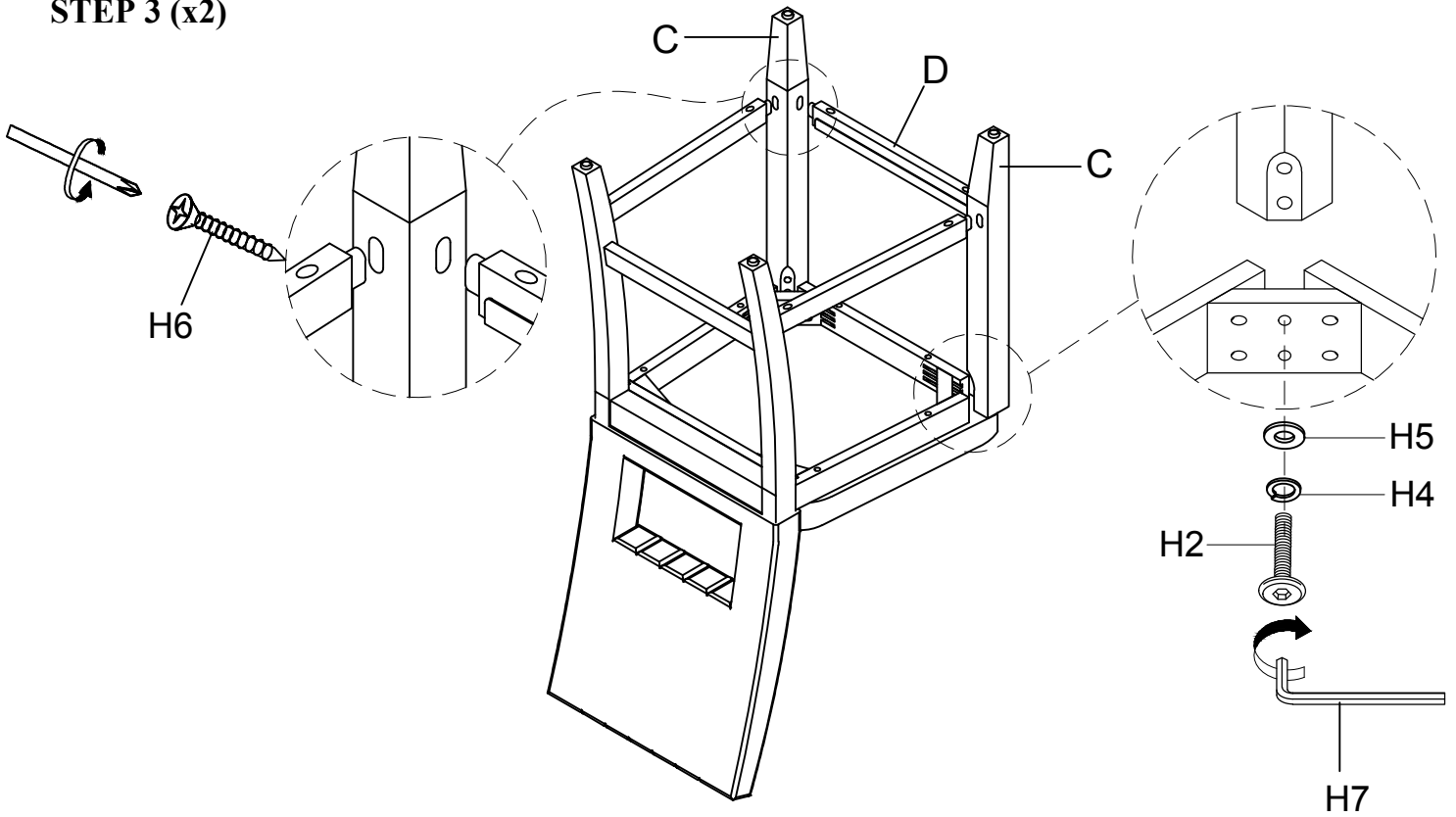
STEP 1 (x2)



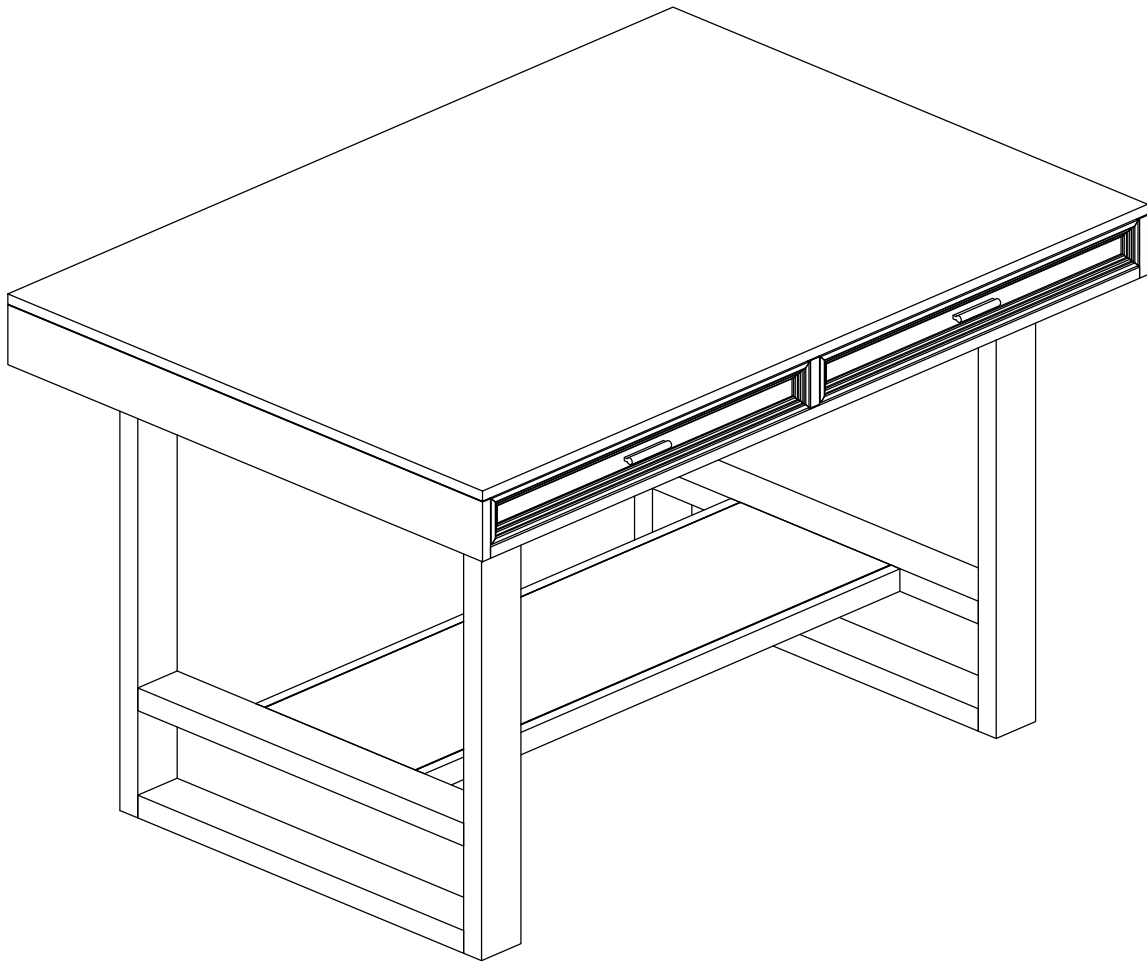
STEP 2 (x2)



STEP 3 (x2)



CHAIR ASSEMBLY COMPLETED

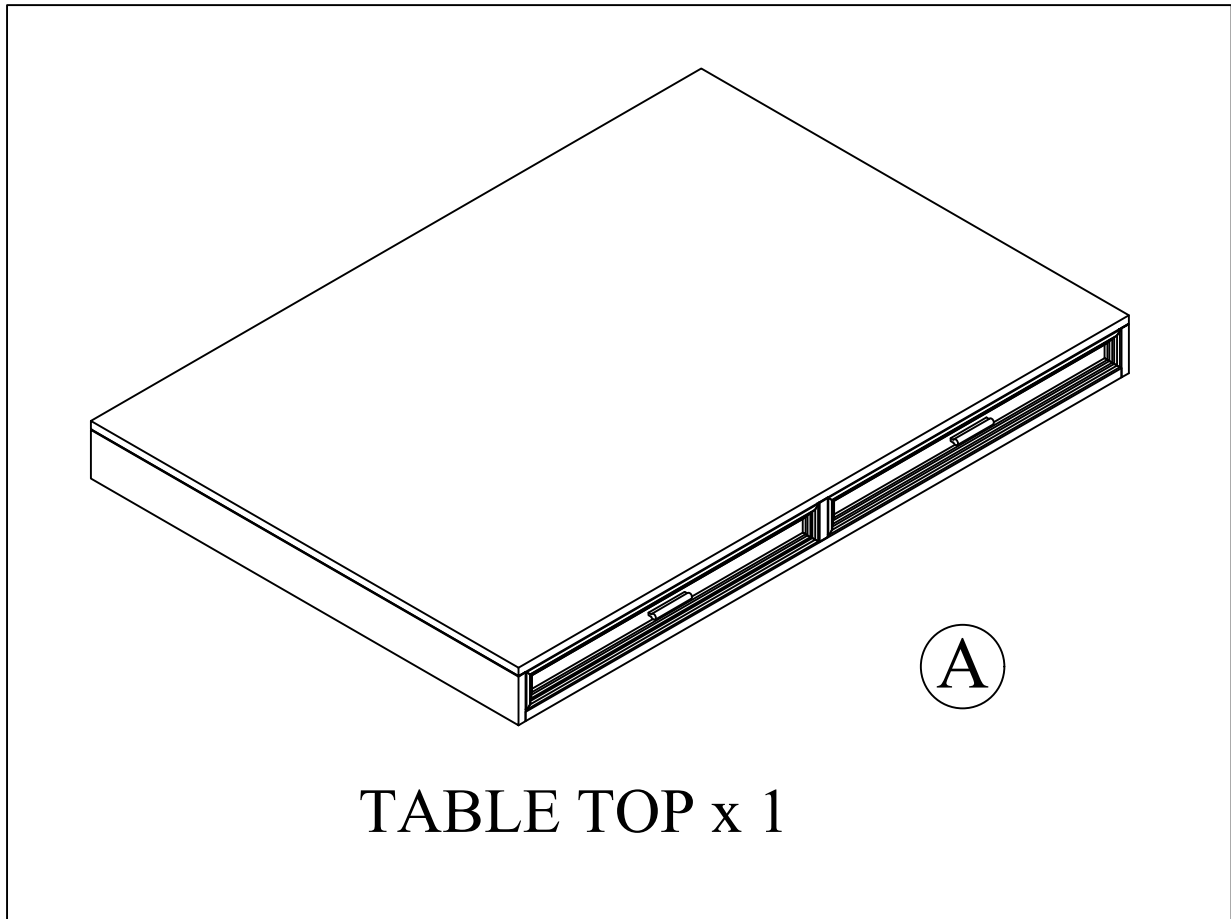


ASSEMBLY INSTRUCTIONS

ITEM # : 60562-84-01X COUNTER HEIGHT TBL - TOP MORR

ITEM # : 60562-85-01X COUNTER HEIGHT TBL - BASE MOR

60562-84-01X PARTS & HARDWARE LIST



Customer Service Contact Information:

Toll Free Phone Number: 1-844-771-2727

Email: consumercare@lanefurniture.com

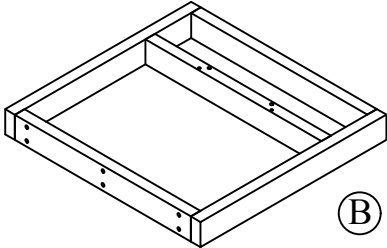
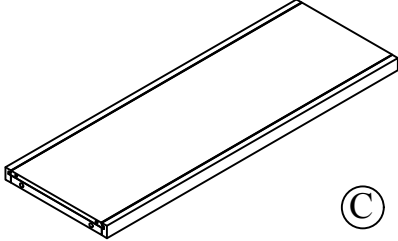
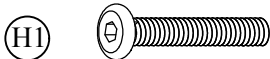



Website: www.lanefurniture.com

NOTES :

1. CHECK CAREFULLY FOR SMALL PARTS WHICH MAY COME LOOSE DURING SHIPMENT.
2. REMOVE ALL COMPONENTS FROM THE PACK AND PLACE ON A CLEAN, SOFT SURFACE TO ASSEMBLE.
3. UNITS SHOULD BE ASSEMBLED BY TWO OR MORE PEOPLE.
4. DO NOT OVER - TIGHTEN SCREW/ BOLTS UNTIL ASSEMBLY IS COMPLETED.
5. WITH USE, SCREW/ BOLT MAY BE COME LOOSE & MUST BE TIGHTENED PERIODICALLY.



60562-85-01X PARTS & HARDWARE LIST

 <p>(B) LEFT / RIGHT LEGS x 2</p>	 <p>(C) BOTTOM CROSS BAR x 1</p>	 <p>(H1) ALLEN BOLT x 16 (Ø5/16" *45mm)</p>
 <p>(H2) SPRING WASHER x 16 (Ø5/16")</p>	 <p>(H3) FLAT WASHER x 16 (Ø5/16")</p>	 <p>(H4) ALLEN KEY x 1 (M4)</p>

Customer Service Contact Information:

Toll Free Phone Number: 1-844-771-2727

Email: consumercare@lanefurniture.com

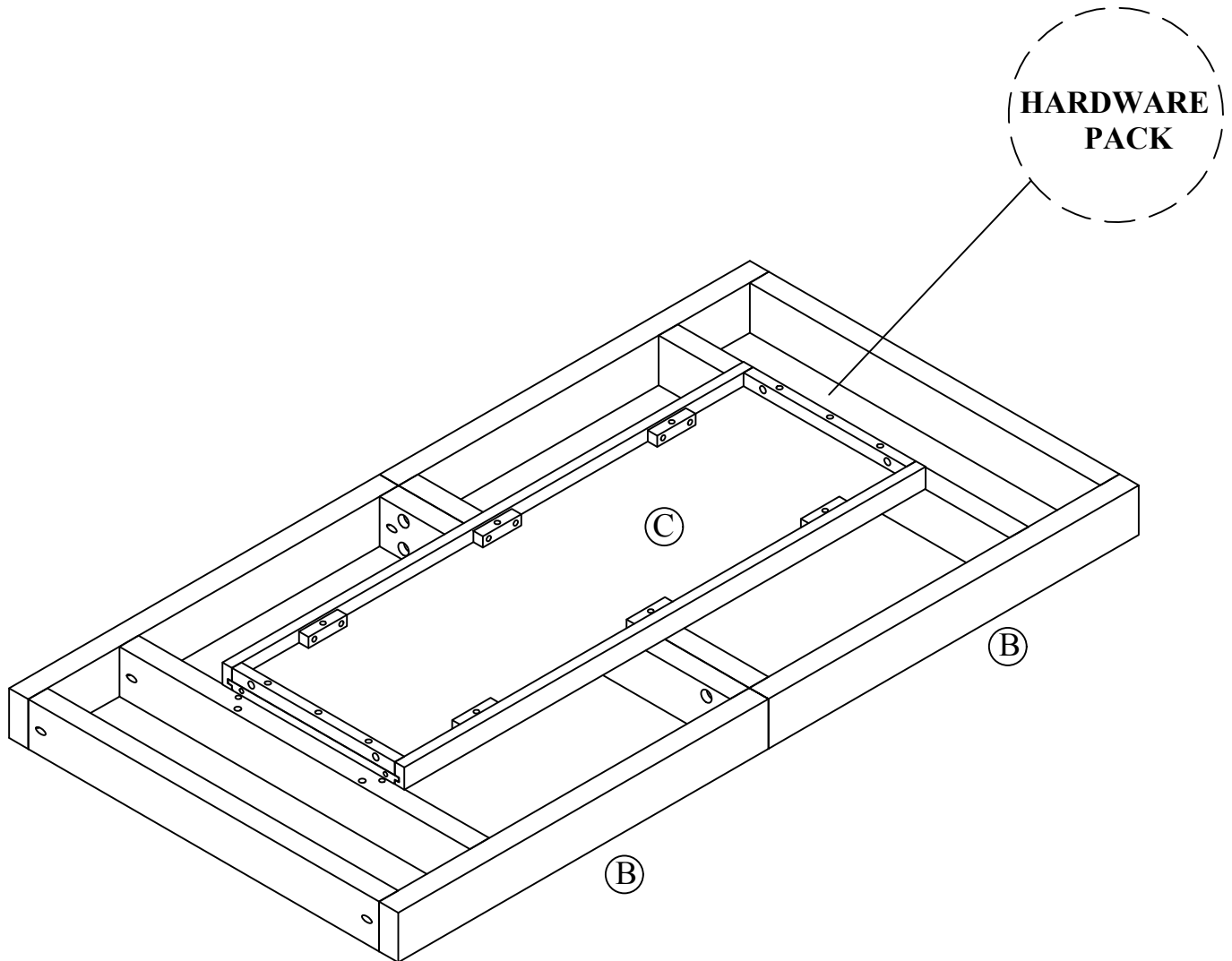
Website: www.lanefurniture.com

NOTES :

1. CHECK CAREFULLY FOR SMALL PARTS WHICH MAY COME LOOSE DURING SHIPMENT.
2. REMOVE ALL COMPONENTS FROM THE PACK AND PLACE ON A CLEAN, SOFT SURFACE TO ASSEMBLE.
3. UNITS SHOULD BE ASSEMBLED BY TWO OR MORE PEOPLE.
4. DO NOT OVER - TIGHTEN SCREW/ BOLTS UNTIL ASSEMBLY IS COMPLETED.
5. WITH USE, SCREW/ BOLT MAY BE COME LOOSE & MUST BE TIGHTENED PERIODICALLY.



HARDWARE BLISTER PACKS ARE STORED ON THE TOP OF THE TABLE BASE



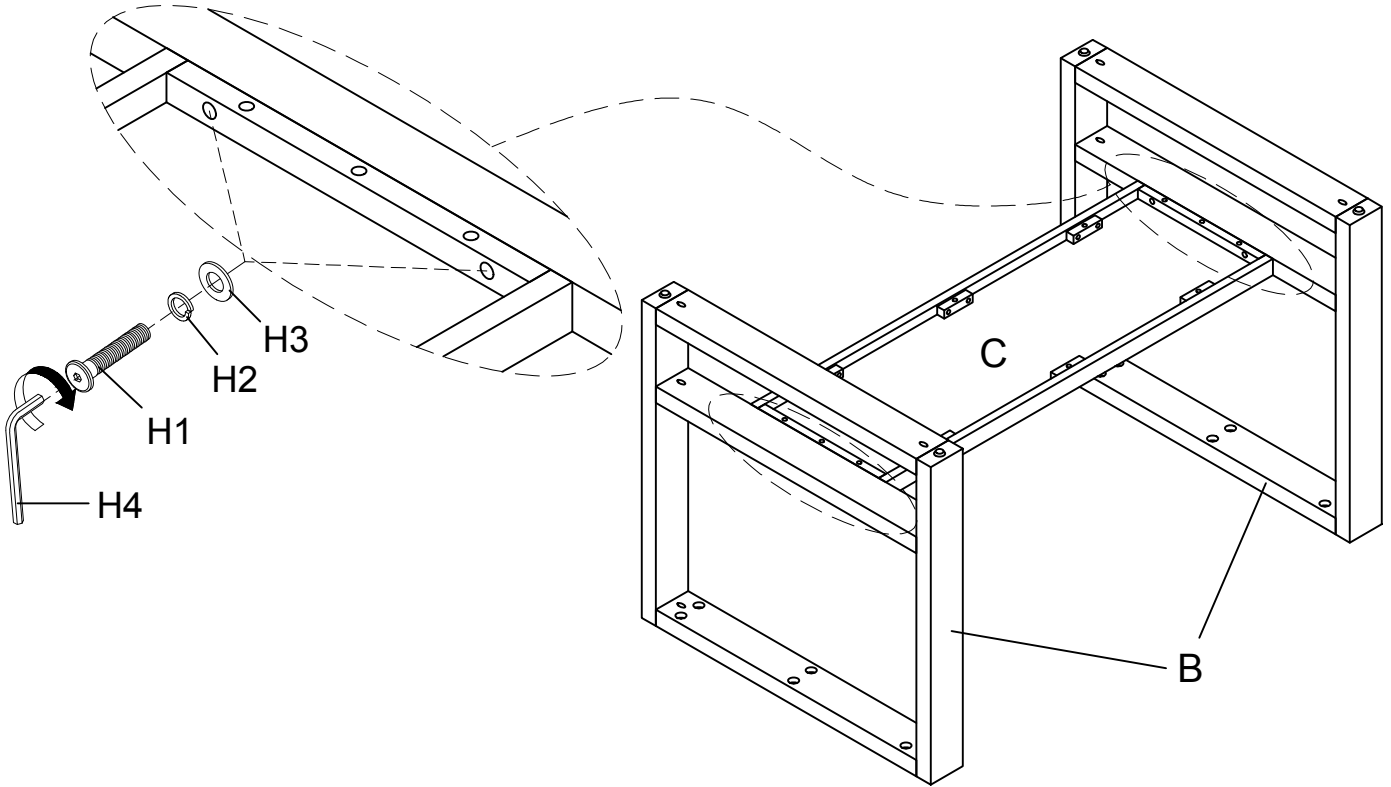
Customer Service Contact Information:
Toll Free Phone Number: 1-844-771-2727
Email: consumercare@lanefurniture.com
Website: www.lanefurniture.com

NOTES :

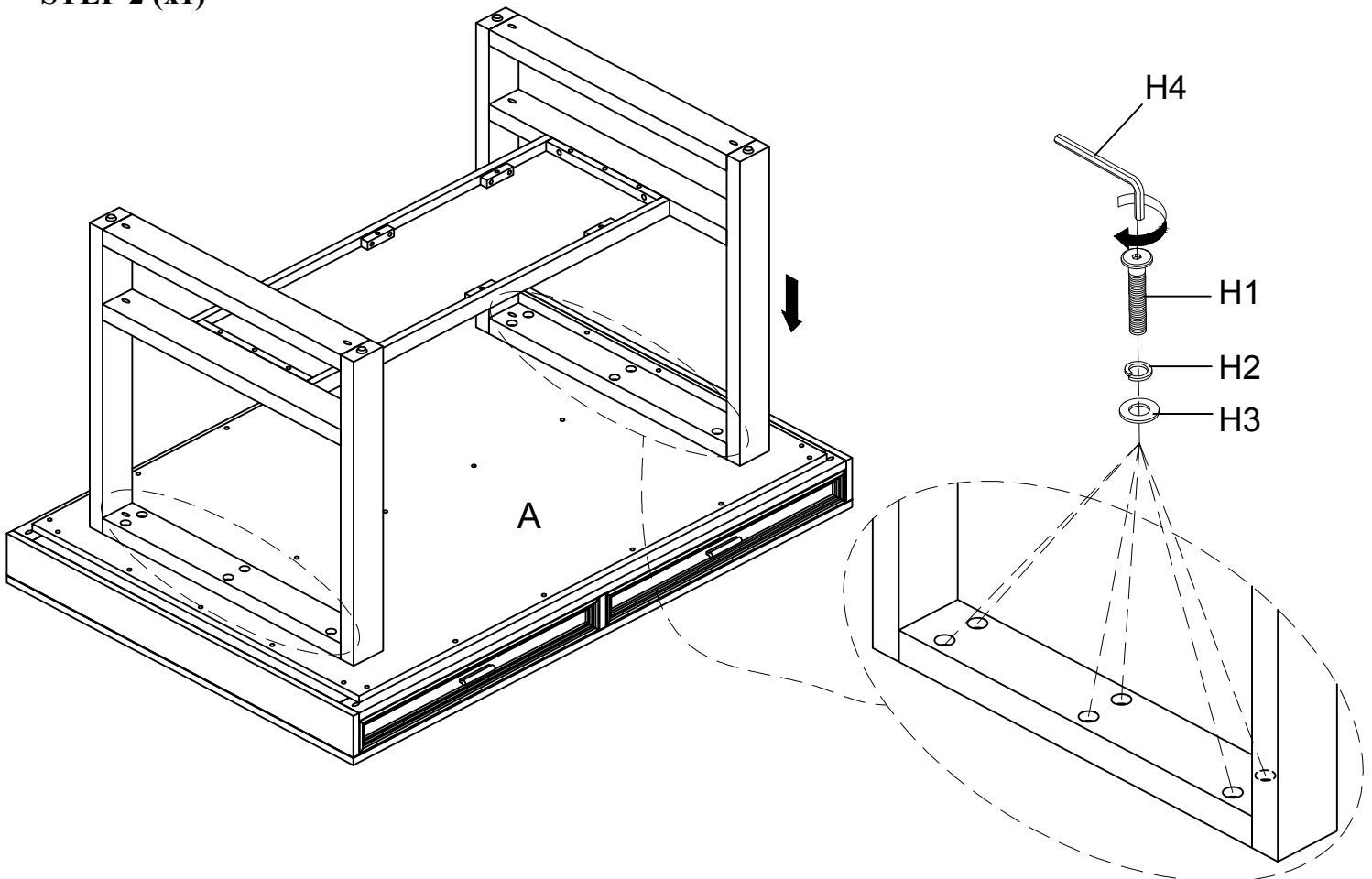
1. CHECK CAREFULLY FOR SMALL PARTS WHICH MAY COME LOOSE DURING SHIPMENT.
2. REMOVE ALL COMPONENTS FROM THE PACK AND PLACE ON A CLEAN, SOFT SURFACE TO ASSEMBLE.
3. UNITS SHOULD BE ASSEMBLED BY TWO OR MORE PEOPLE.
4. DO NOT OVER - TIGHTEN SCREW/ BOLTS UNTIL ASSEMBLY IS COMPLETED.
5. WITH USE, SCREW/ BOLT MAY BE COME LOOSE & MUST BE TIGHTENED PERIODICALLY.



STEP 1 (x1)



STEP 2 (x1)



STEP 3 (x1)

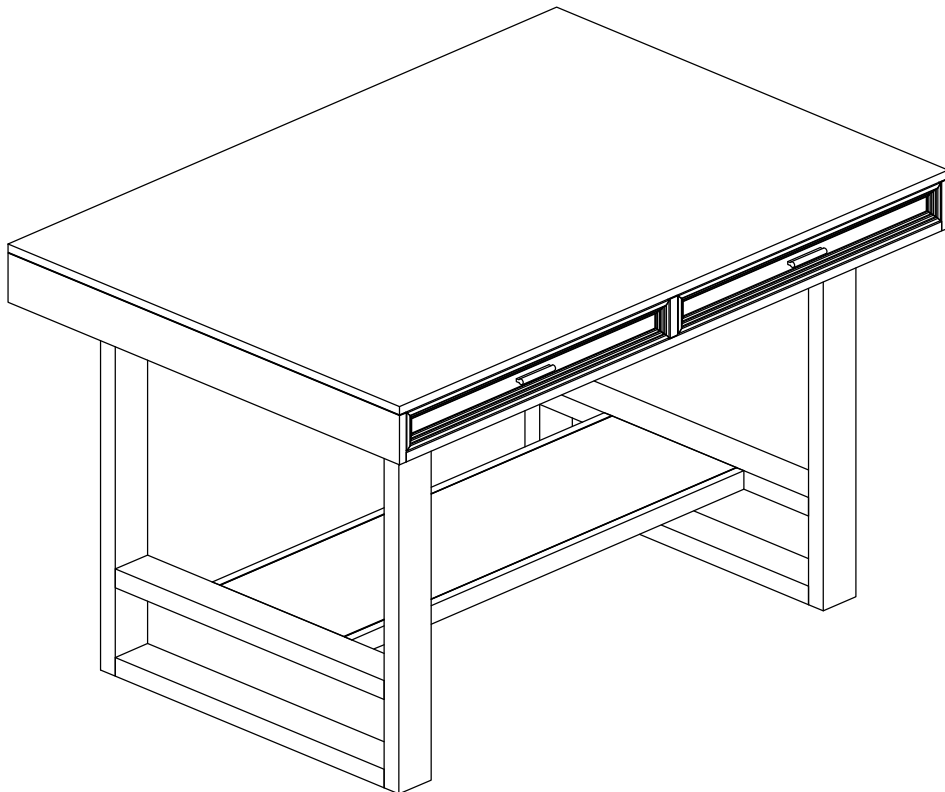
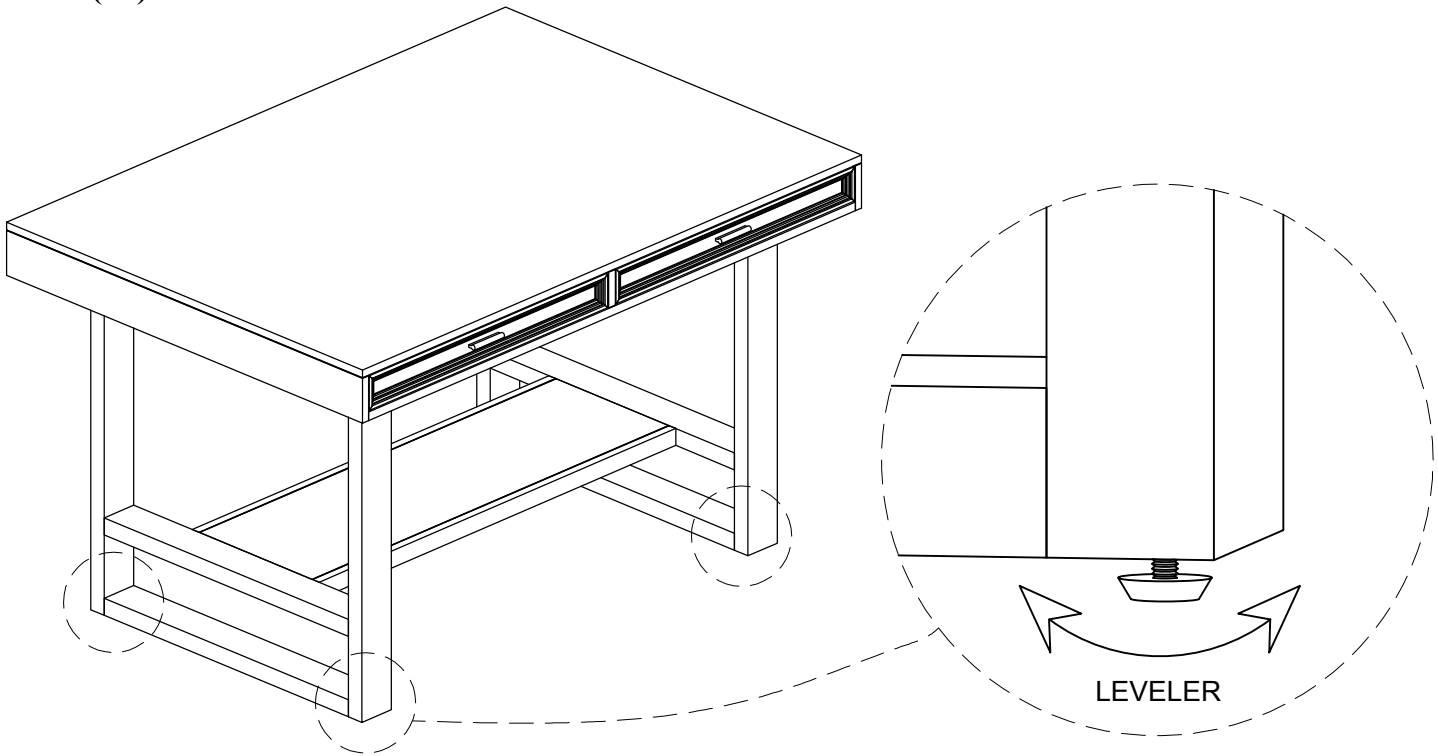


TABLE ASSEMBLY COMPLETED