

ASSEMBLY INSTRUCTIONS


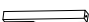
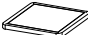

ITEM #: T631-04 LAMP TABLE

Reading the instruction carefully prior assembly.




Thank you for purchasing this quality product. Check carefully for small parts which may have come loose during shipment.

Remove all components from pack and place table top upside down on soft surface such as carpet or cloth to prevent scratching the finish. Identify and count all parts as specified below. Do not tighten bolts until assembly is complete.

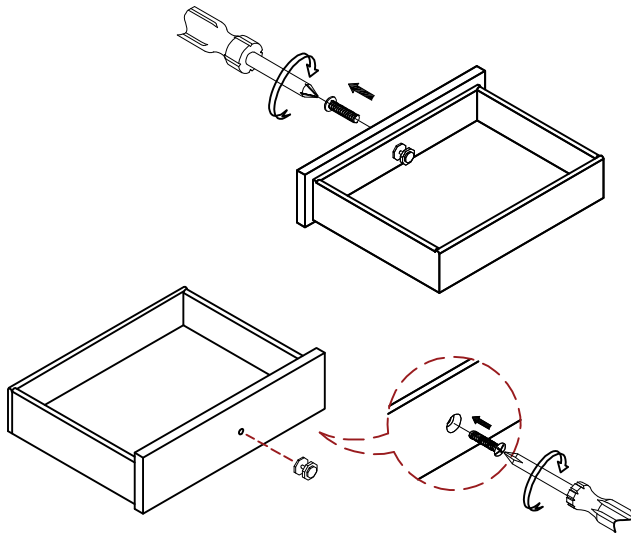
"PART LISTS"

No.	DESC	OUTLOOK	QTY
A	Table Top		1pc
B	Table Legs		4pcs
C	Table Shelf Panel		1pc
D	Table Legs		4pcs

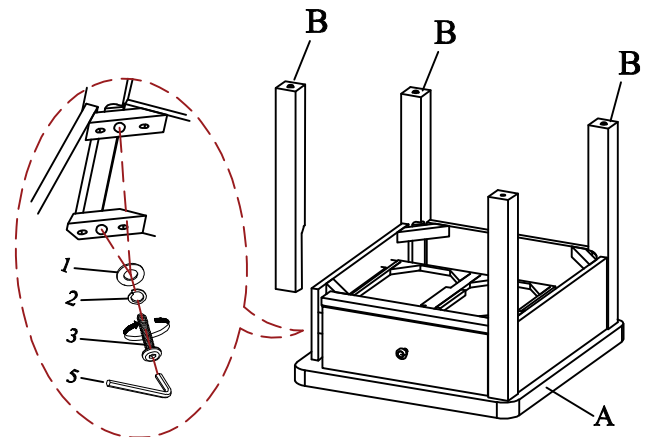
"HARDWARE LISTS"

No.	DESC	OUTLOOK	QTY
1	Ø5/16" x 19mm Flat Washer		12pcs
2	Ø5/16" x 11mm Spring Washer		12pcs
3	Ø5/16" x 60mm Bolt		8pcs
4	Ø5/16" x 90mm Bolt		4pcs
5	M4 Allen Key		1pc

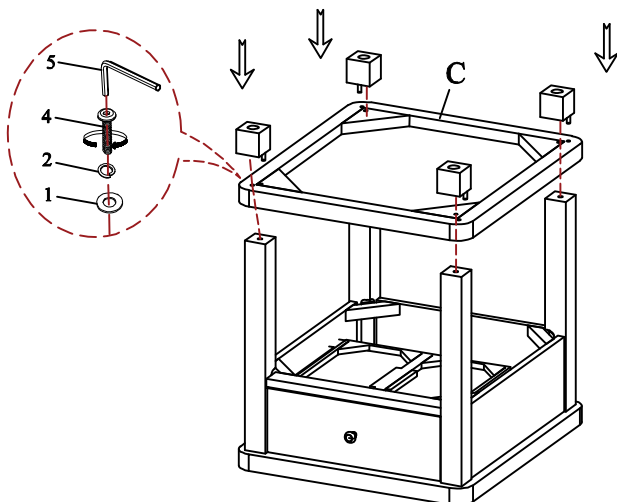
STEP 1



STEP 2



STEP 3



STEP 4

