

ASSEMBLY INSTRUCTIONS




ITEM # : T631-02 ROUND COCKTAIL TABLE

Reading the instruction carefully prior assembly.








Thank you for purchasing this quality product. Check carefully for small parts which may have come loose during shipment.

Remove all components from pack and place table top upside down on soft surface such as carpet or cloth to prevent scratching the finish. Identify and count all parts as specified below. Do not tighten bolts until assembly is complete.

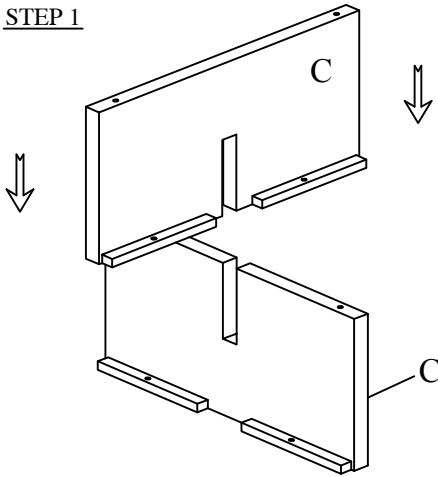
"PART LISTS"

No.	DESC	OUTLOOK	Q'TY
A	Table Top		1 pc
B	Table Bottom Panel		1 pc
C	Table Shelf Panel		2 pcs

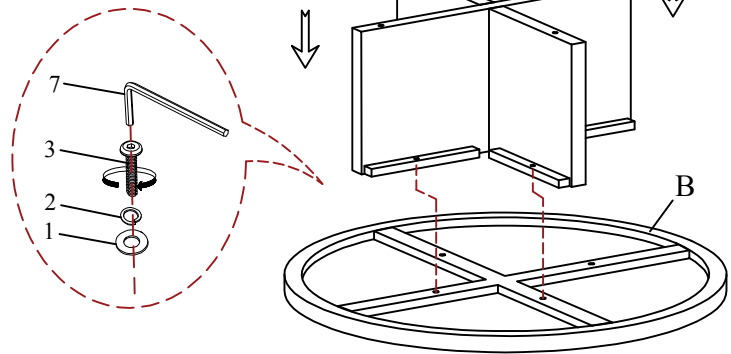
"HARDWARE LISTS"

No.	DESC	OUTLOOK	Q'TY
1	Ø5/16" x 19mm Flat Washer		8 pcs
2	Ø5/16" x 11mm Spring Washer		8 pcs
3	Ø5/16" x 38mm Bolt		4 pcs
4	Ø5/16" x 60mm Bolt		4 pcs
5	Caster		4 pcs
6	M4 x 25mm Wood Screw		16 pcs
7	M4 Allen Key		1 pc

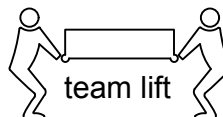
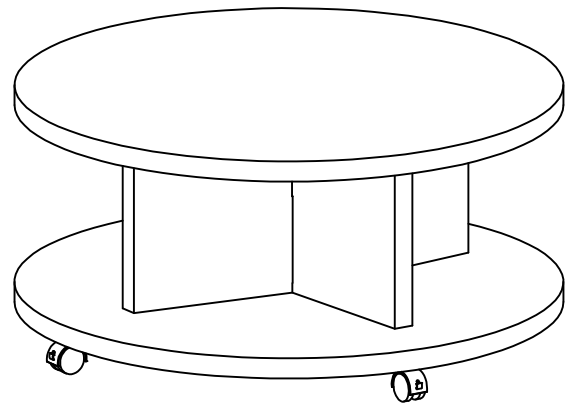
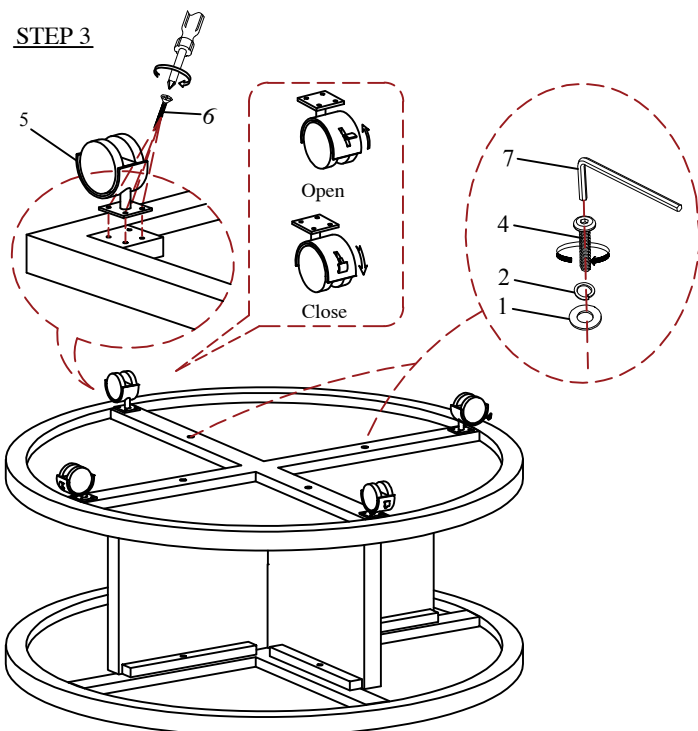
STEP 1



STEP 2



STEP 3



Do not hit the casters against the ground when turning the product !