

Thank You for purchasing this Quality product. It has been engineered for easy assembly yet constructed for durability. Please take the time to read and follow the instructions while assembling.

# ASSEMBLY INSTRUCTION

RUSTIC CHAIRSIDE TABLE

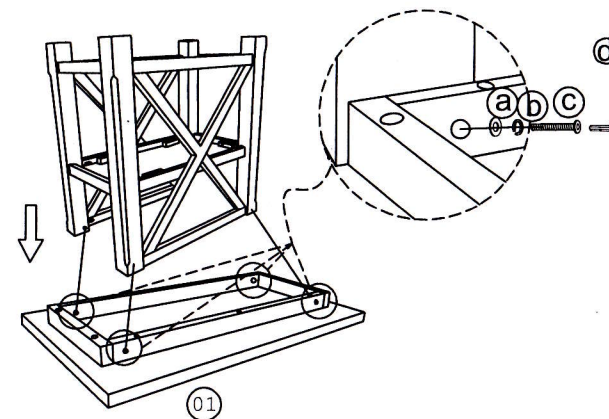
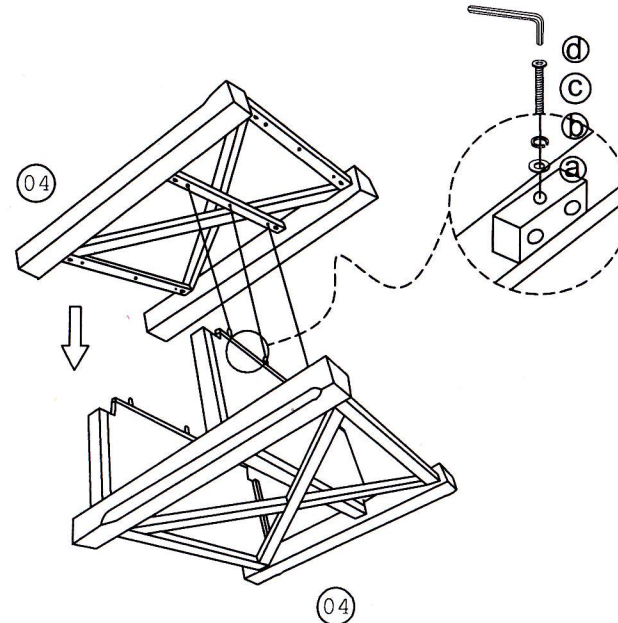
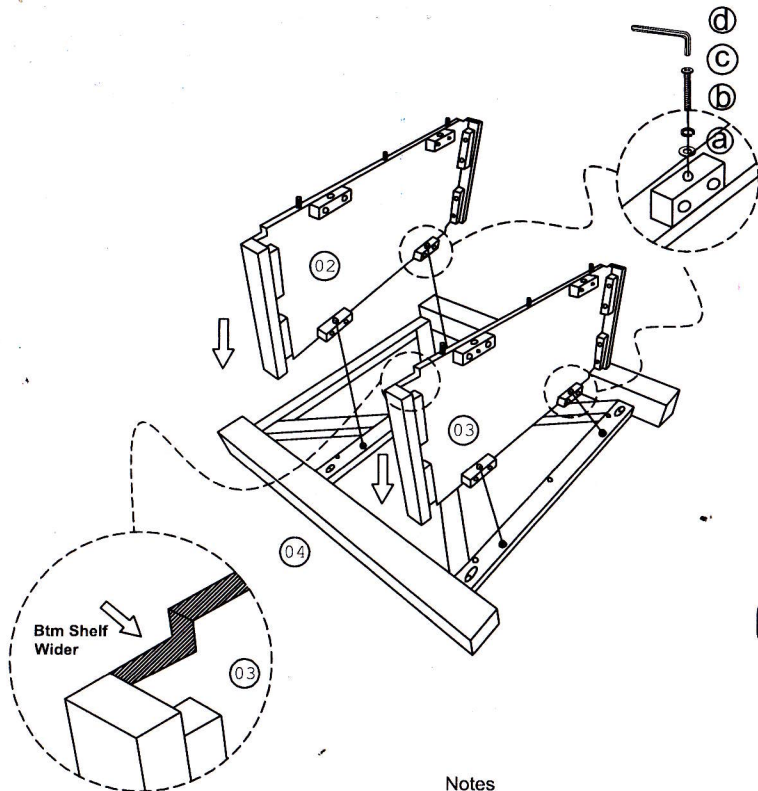
Model : T550-29 (DBVT-1602KD-4)

Size : 16" X 26" X 26"H

## Step 1

## Step 2

## Step 3



### List of Part For 1 Set

|    |  |                |   |
|----|--|----------------|---|
| 01 |  | Table Assembly | 1 |
| 02 |  | Center Shelf   | 1 |
| 03 |  | Btm Shelf      | 1 |
| 04 |  | Side Panel     | 2 |

### List of hardware

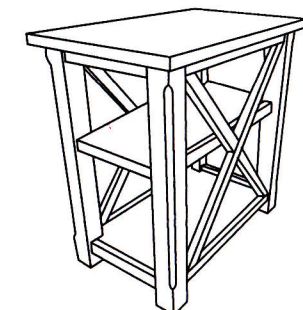
|   |  |                            |    |
|---|--|----------------------------|----|
| a |  | Flat Washer<br>1/4" x 16mm | 12 |
| b |  | Spring Washer<br>1/4"      | 12 |
| c |  | JCBC Bolt<br>M 6 x 40mm    | 12 |
| d |  | Allen Key<br>M 4           | 1  |

### Notes

- \* Place all wooden parts on a clean and smooth surface such as a rug or carpet to avoid the parts from being scratched.
- \* Check to be sure that you have all parts and hardware.
- \* Remove all wrapping materials including staples & packing straps before you start to assemble.
- \* **Care And Maintenance**  
The Touch of a soft cloth is all the maintenance your wood pieces will ever need.
- \* Never use harsh chemicals or abrasive cleaner as they could mark or destroy finish.

### Important Notes

- \* Keep all hardware parts out of reach of children.
- \* Nut holding legs on the table can work loose . Check every 6-8 weeks that nuts are tight.
- \* Don't attempt to repair or modify parts that are broken or defective. Please contact the store immediately.



Assembly Completed !!..