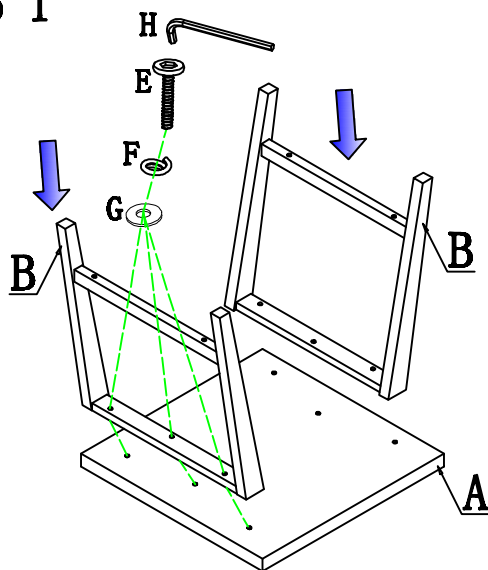


ASSEMBLY INSTRUCTIONS

ITEM#: T544-04 END TABLE

Thank you for purchasing this high quality product. Be sure to check all packing material carefully for small parts that may have come loose inside the carton during shipment.

Step 1



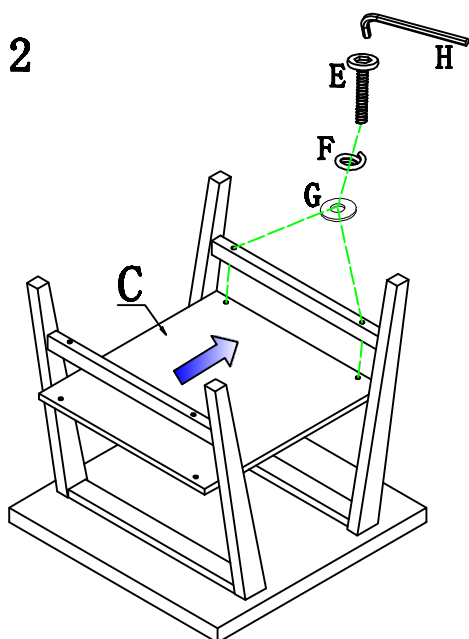
Parts List

NO.	SKETCH	DESCRIPTION	Q'TY
A		Top	1PC
B		Side Panels	2PCS
C		Bottom Shelf	1PC

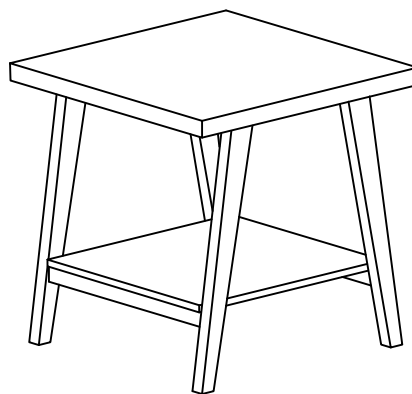
Hardware List

E		Bolt $\phi 1/4" * 1-1/2"$	10PCS
F		Lock washer $\phi 1/4"$	10PCS
G		Flat washer $\phi 1/4"$	10PCS
H		Allen wrench	1PC

Step 2



Do not tighten any bolt until all the bolts have been loosely installed.



Cleaning Instruction: Clean the table surface with a furniture polish and a soft cloth.

Made In China