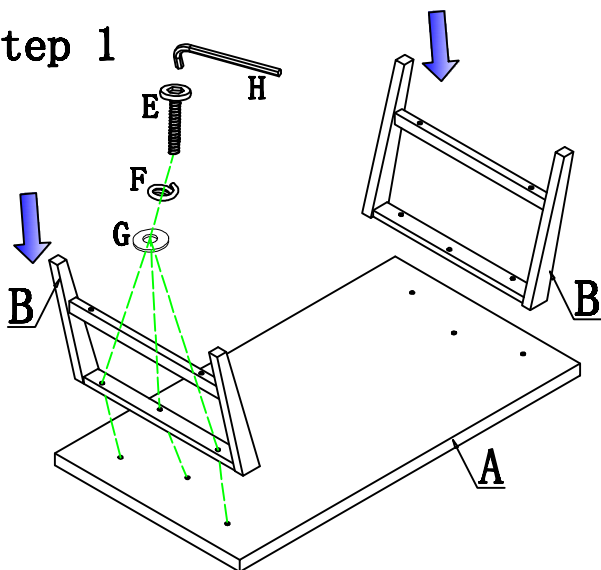


# ASSEMBLY INSTRUCTIONS

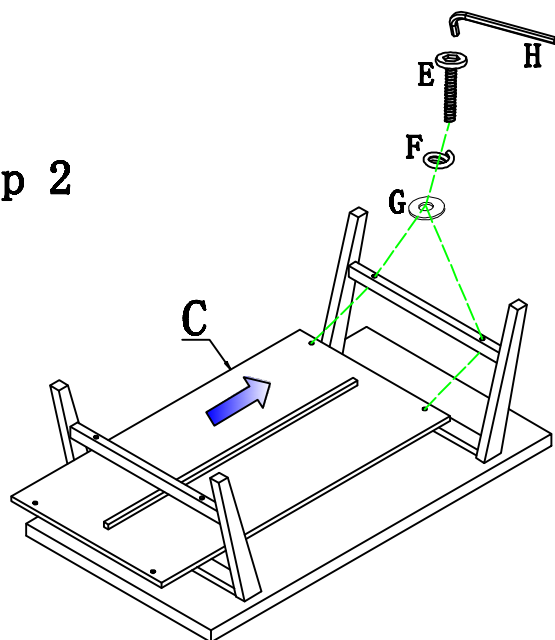
ITEM#: T544-01 RECTANGULAR TABLE

Thank you for purchasing this high quality product. Be sure to check all packing material carefully for small parts that may have come loose inside the carton during shipment.

Step 1



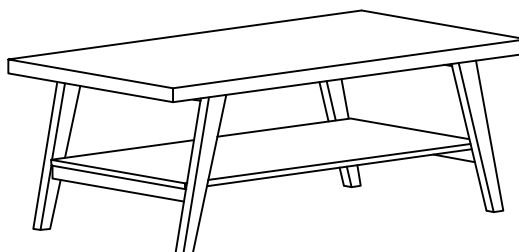
Step 2



| Parts List |        |              |      |
|------------|--------|--------------|------|
| NO.        | SKETCH | DESCRIPTION  | Q'TY |
| A          |        | Top          | 1PC  |
| B          |        | Side Panels  | 2PCS |
| C          |        | Bottom Shelf | 1PC  |

| Hardware List |        |                                |       |
|---------------|--------|--------------------------------|-------|
| NO.           | SKETCH | DESCRIPTION                    | Q'TY  |
| E             |        | Bolt $\phi 1/4" \times 1-1/2"$ | 10PCS |
| F             |        | Lock washer $\phi 1/4"$        | 10PCS |
| G             |        | Flat washer $\phi 1/4"$        | 10PCS |
| H             |        | Allen wrench                   | 1PC   |

Do not tighten any bolt until all the bolts have been loosely installed.



**Cleaning Instruction:** Clean the table surface with a furniture polish and a soft cloth.

Made In China