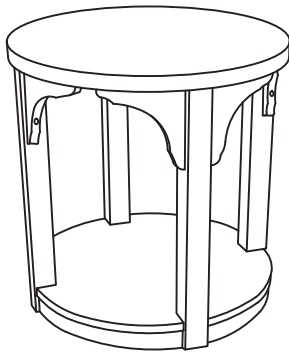


Progressive® ASSEMBLY INSTRUCTION

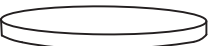




furniture Item No: T540-06







Description: ROUND END TABLE



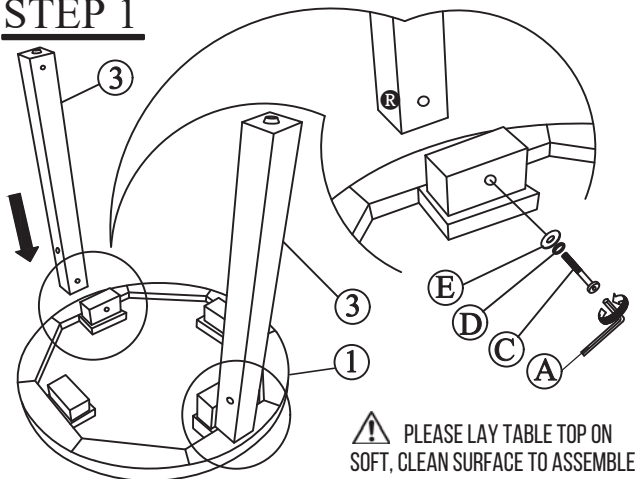
IMPORTANT NOTE :

- Place all wooden parts on a clean and smooth surface such as a rug or carpet to avoid the parts from being scratched.
- Check to be sure that you have all parts and hardware.
- Remove all wrapping materials, including staples & packing straps before you start to assemble.
- Do not tighten all screws/bolts until all completely assembled.
- Keep all hardware parts out of reach of children.

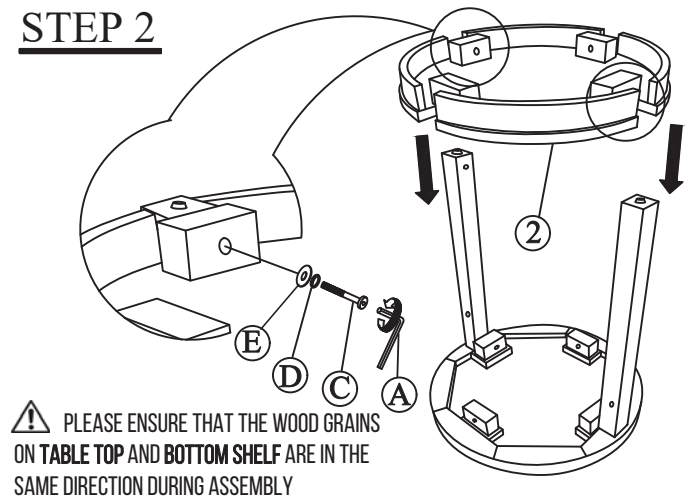
PARTS LIST		
NO.	COMPONENT	QTY.
1	TABLE TOP 	1 PCS
2	BOTTOM SHELF 	1 PCS
3	TABLE LEG 	4 PCS
4	SCALLOPED APRON R 	4 PCS
5	SCALLOPED APRON L 	4 PCS

HARDWARE LIST		
NO.	DESCRIPTION	QTY.
A	M4 x 100MM ALLEN KEY 	1 PCS
B	M6 x 40MM JCBC BOLT 	8 PCS
C	M6 x 70MM JCBC BOLT 	8 PCS
D	M6 x 13MM SPRING WASHER 	8 PCS
E	M6 x 19MM FLAT WASHER 	8 PCS
F	M4 x 32MM PAN HEAD SCREW 	8 PCS

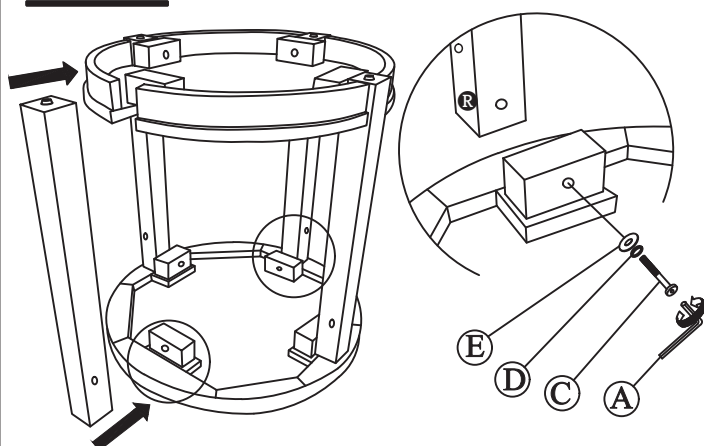
STEP 1



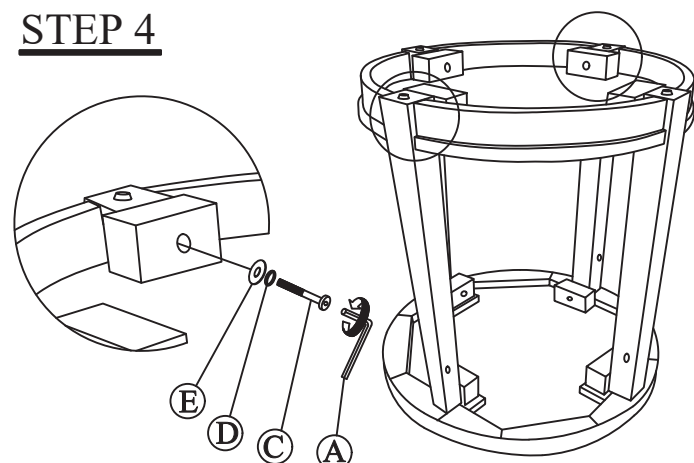
STEP 2



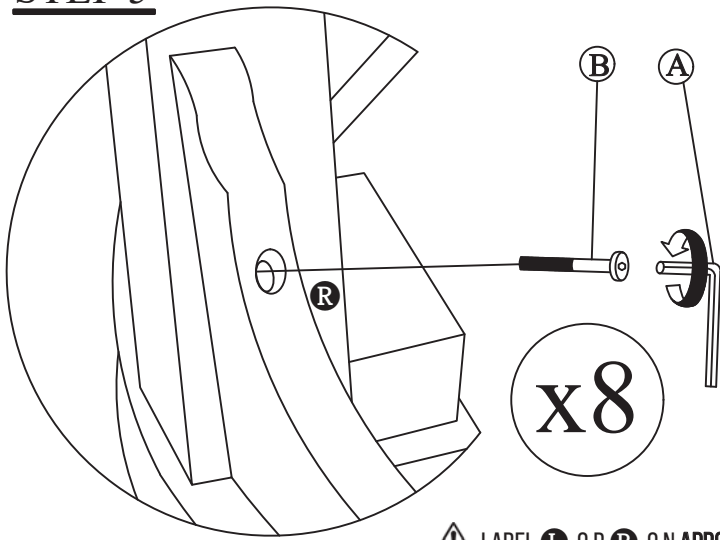
STEP 3



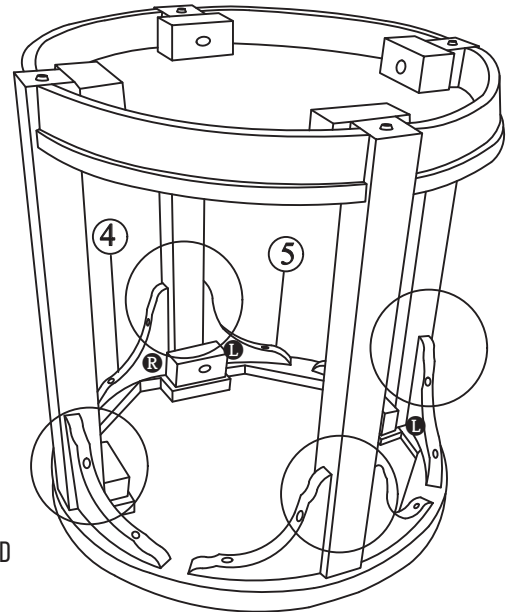
STEP 4



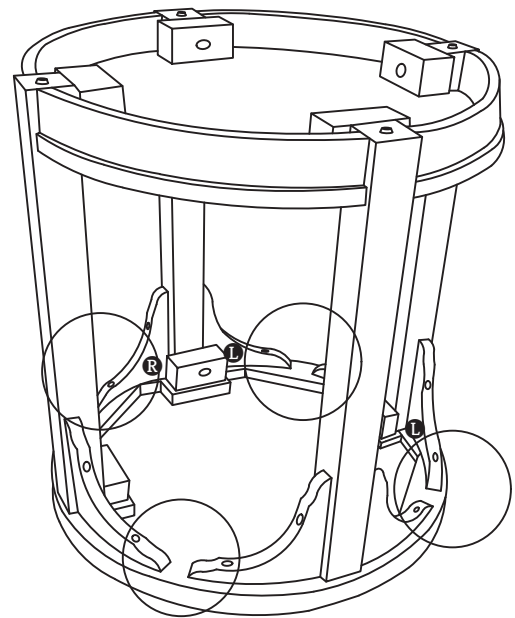
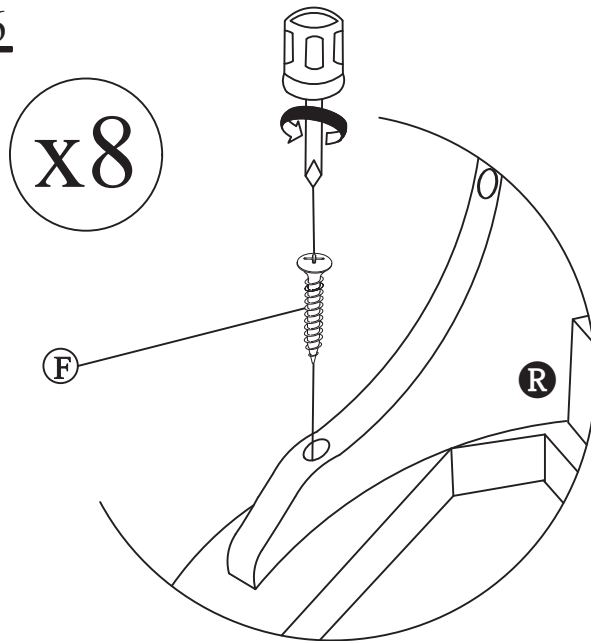
STEP 5



⚠ LABEL **L** OR **R** ON APRONS SHOULD MATCH THE LABEL **L** OR **R** ON THE LEGS



STEP 6



STEP 7

