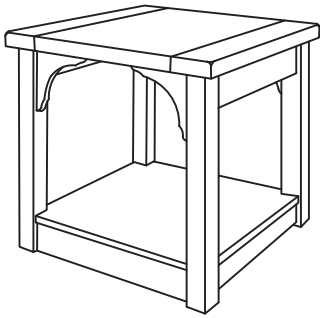


Progressive® ASSEMBLY INSTRUCTION



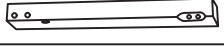
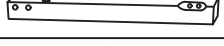


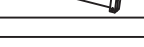
furniture Item No: T540-04



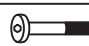

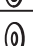
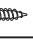
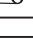
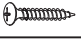
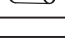
Description: END TABLE



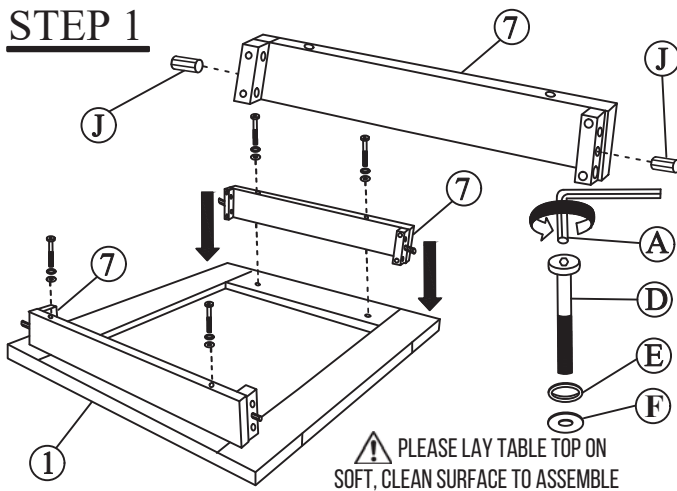
IMPORTANT NOTE :

- Place all wooden parts on a clean and smooth surface such as a rug or carpet to avoid the parts from being scratched.
- Check to be sure that you have all parts and hardware.
- Remove all wrapping materials, including staples & packing straps before you start to assemble.
- Do not tighten all screws/bolts until all completely assembled.
- Keep all hardware parts out of reach of children.

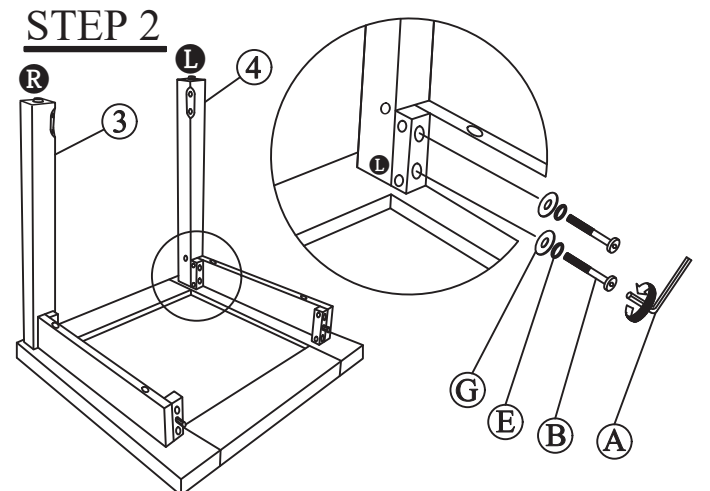
PARTS LIST		
NO.	COMPONENT	QTY.
1	TABLE TOP 	1 PCS
2	BOTTOM SHELF 	1 PCS
3	TABLE LEG R 	2 PCS
4	TABLE LEG L 	2 PCS
5	SCALLOPED APRON R 	2 PCS
6	SCALLOPED APRON L 	2 PCS
7	APRON 	2 PCS

HARDWARE LIST		
NO.	DESCRIPTION	QTY.
A	M4 x 100MM ALLEN KEY 	1 PCS
B	M6 x 40MM JCBC BOLT 	12 PCS
C	M6 x 60MM JCBC BOLT 	8 PCS
D	M6 x 90MM JCBC BOLT 	4 PCS
E	M6 x 13MM SPRING WASHER 	24 PCS
F	M6 x 14MM FLAT WASHER 	4 PCS
G	M6 x 19MM FLAT WASHER 	20 PCS
H	M4 x 32MM PAN HEAD SCREW 	4 PCS
J	8M x 25MM WOOD DOWEL 	4 PCS

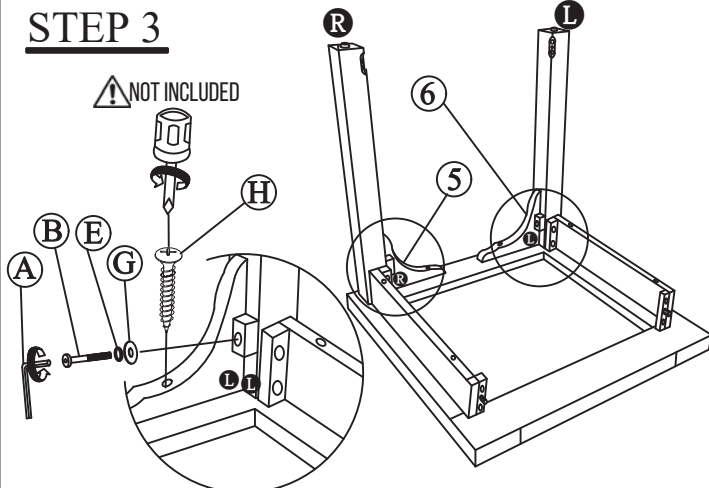
STEP 1



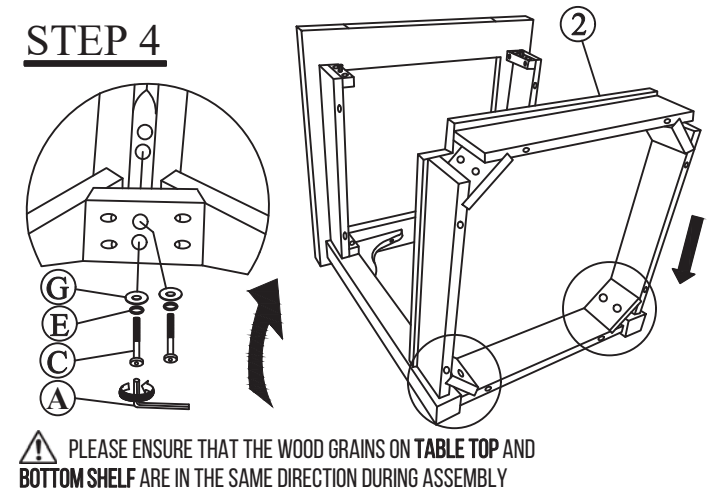
STEP 2



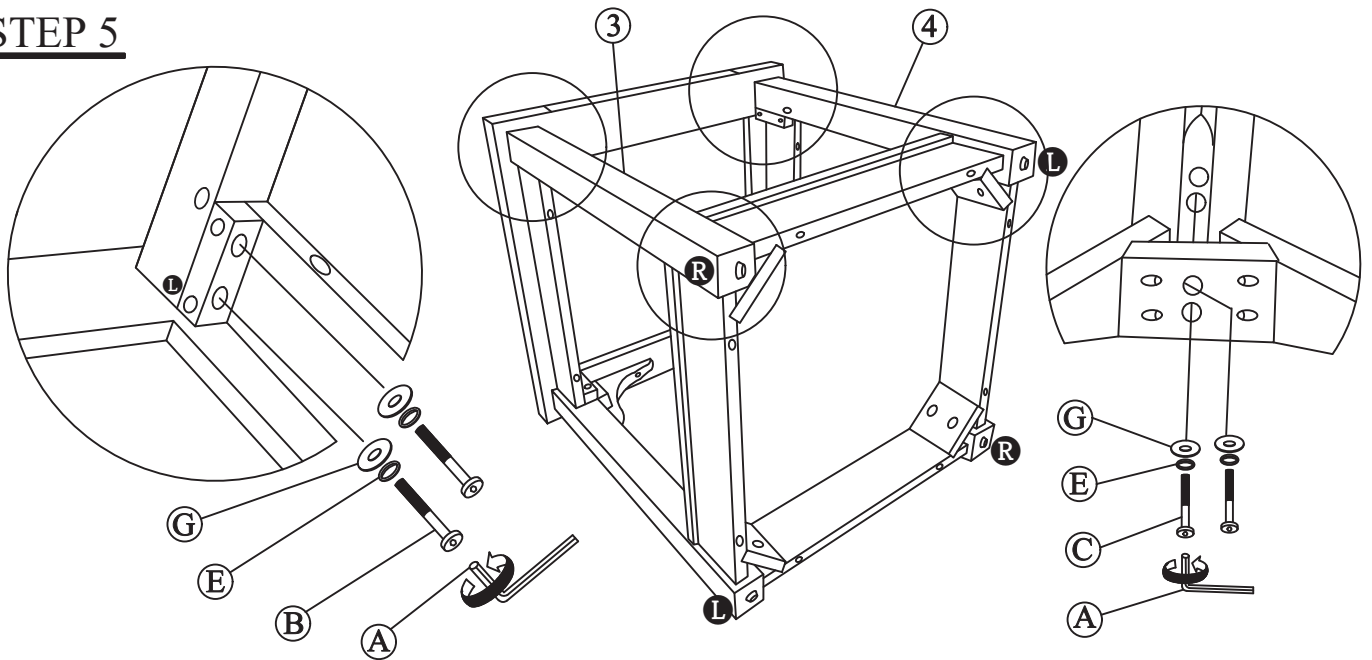
STEP 3



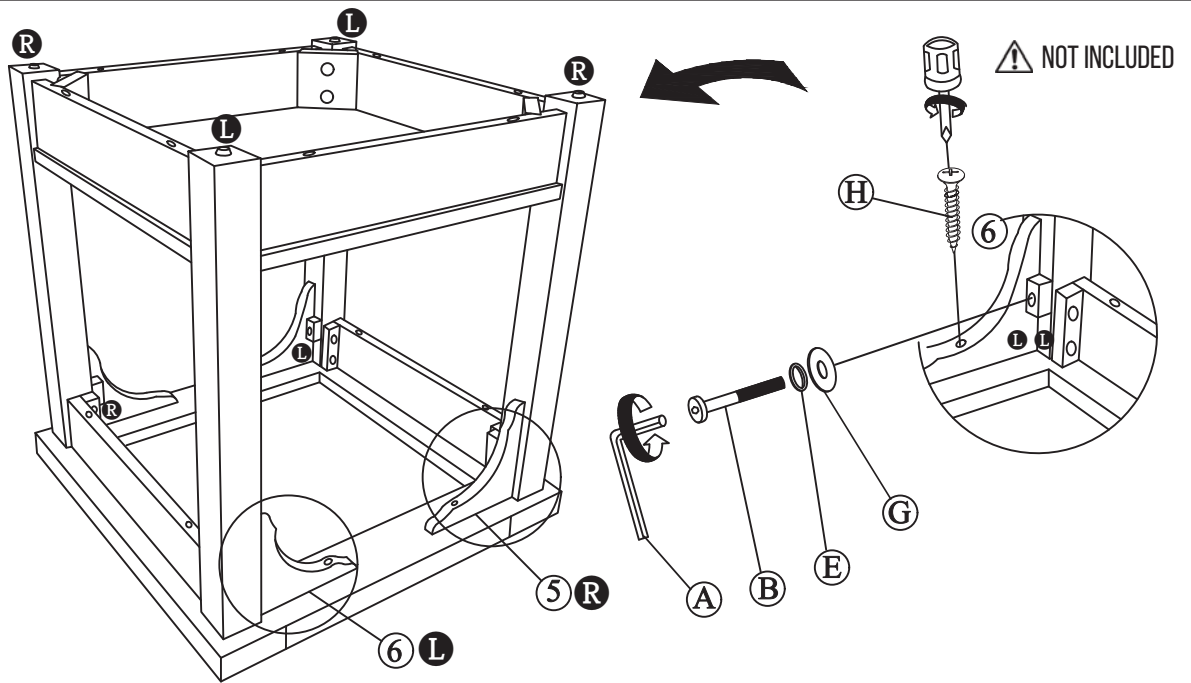
STEP 4



STEP 5



STEP 6



STEP 7

