

ASSEMBLY INSTRUCTION

ITEM# T512/T513-02 DESCRIPTION COCKTAIL TABLE

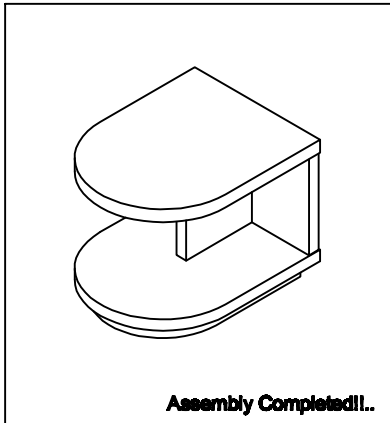
Thank you for purchasing this quality product. Be sure to check all packing material carefully for small parts which may have come loose inside the carton during shipment. Identify and count all parts and compare with Hardware/Parts Lists below:

HARDWARE LIST

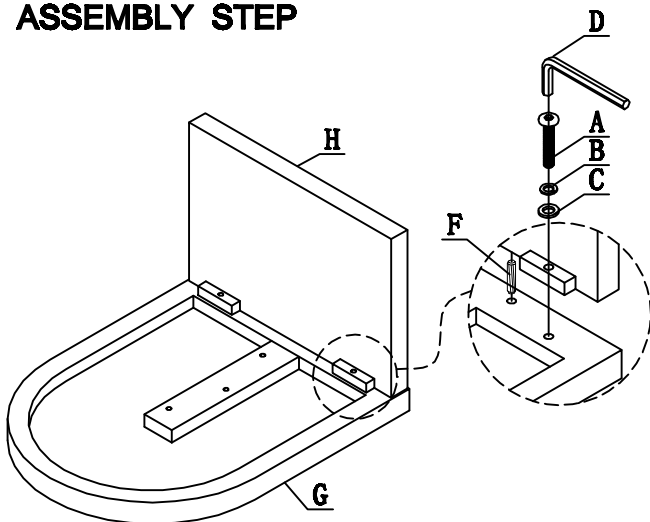
NO.	SKETCH	HARDWARE	Q' TY	NO.	SKETCH	HARDWARE	Q' TY
A		1/4"×1-1/4" ALLEN BOLT	5	D		4mm ALLEN WRENCH	1
B		Ø1/4" LOCK WASHER	7	E		1/4"×2" ALLEN BOLT	2
C		Ø1/4" FLAT WASHER	7	F		Ø8/30mm DOWELL	7

PARTS LIST

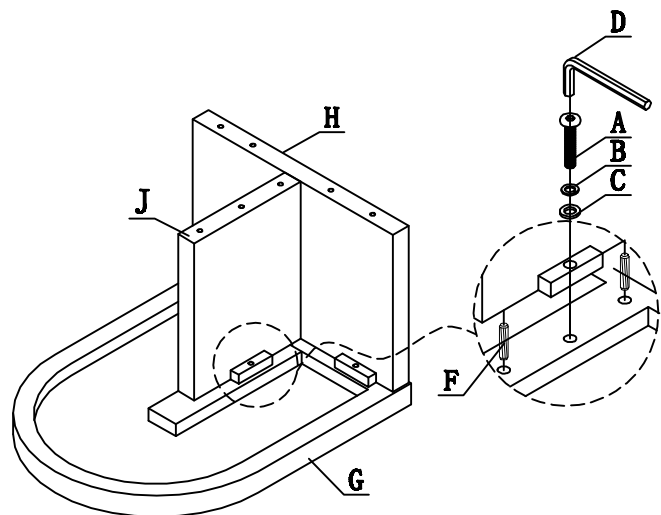
SKETCH				
	Gx1	Hx1	Jx1	Kx1
DESCRIPTION	Table TOP	Back Panel	Middle Panel	Bottom Shelf



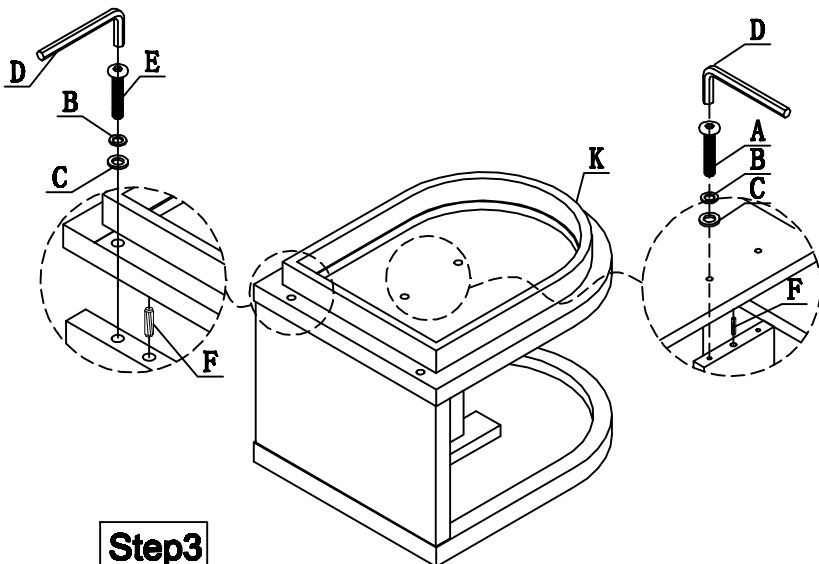
ASSEMBLY STEP



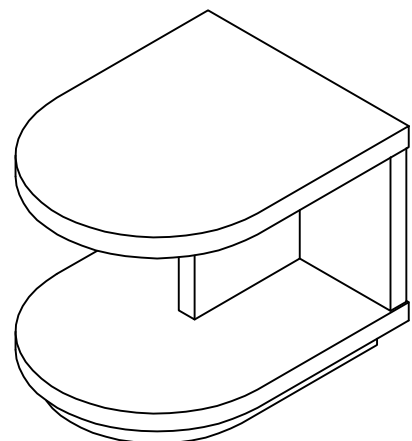
Step1



Step2



Step3



Step4